

BEACONS

CB5100 Series Low Profile LED Beacon



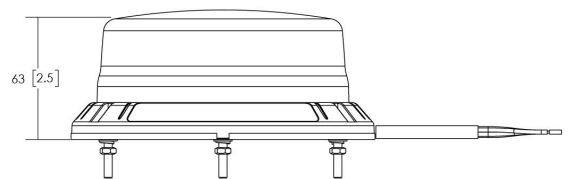
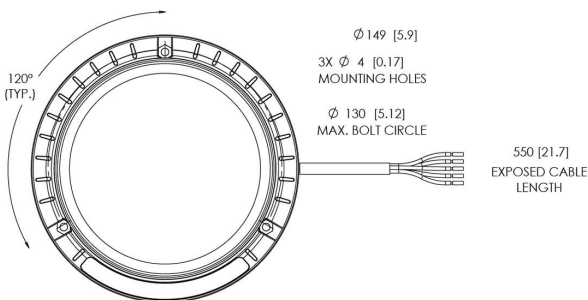
The Low Profile R65 Beacon utilises powerful LEDs, arranged to produce a 360° flash pattern by combining the solid-state, maintenance free long-life nature of LED technology. With additional features including multiple flash patterns, synchronisation and vigorous testing to the Code 3 standard and OEM specifications. This high-performance range has improved EMC performance to CISPR 25 level 3, is robust and compact in a popular housing design and is available in four standard mounting options. This range is designed to maximise resilience to excessive vibration, increasing the life of the product and is backed by our five-year no-hassle warranty.

Design Features

- Ultra compact, low profile beacon at 63mm tall
- 10-32V
- CISPR 25 Class 3 EMC performance
- SAE Class 1 Brightness
- Built tough with an aluminium base and reinforced polycarbonate lens
- 12 Flash Patterns, featuring ICAO
- Built to OEM specifications
- Four mounting options available - Single and 3 bolt, DIN pole or Magnetic
- Temperature Range: -30° to +50°C

Models

PART NO.	LED COLOUR	VOLTAGE	AMPS
CB5102CB	■	10-32	5.5
CB5102CR	■	10-32	5.5
CB5102CRB	■ ■	10-32	5.5



T: 1800 025 921 | E: esgpcs@esg.global