



DIRECTIONAL LEDS

MR6 Series Multi-mount



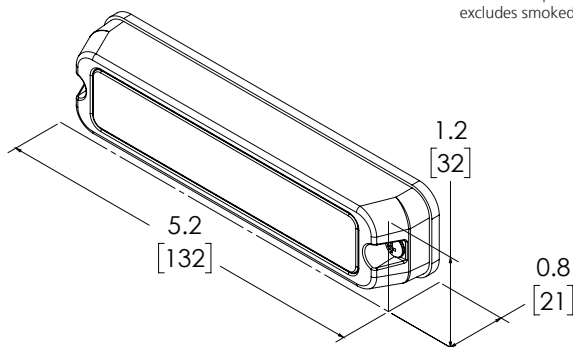
The MR6 delivers exceptional straight-on and off-angle performance with its total internal reflector (TIR) or linear optics technology. Mount it flush on the vehicle's surface, on the hood, on the hatch or virtually anywhere. It is available in single, dual, and Quad LED configurations with 6 colour options. Features include a water-resistant design, phase syncing capability and sync function with Code Chase™ and M180™ exterior lights. Now available in magenta output in the single colour and a smoked lens option for the red/blue dual colour!

Model

PART NO.	LED COLOUR	LENS	FLASH	VDC	AMPS
MR6-X-SB		CLEAR	29	12-24	0.80
MR6MC-XX-SB		CLEAR	69	12-24	1.25
MR6MC-RB-S-SB		SMOKED	69	12-24	1.25
MR24Q-RBAW-SB		CLEAR	286	12-24	0.90

REPLACE
"X" with A = Amber, B = Blue, G = Green, R = Red, W = White, M = Magenta

*R65 excludes split and smoked lens. SAE Class 1 excludes smoked lens. R10 excludes tri-colour



Design Features

- Allows for virtually unlimited mounting possibilities with surface, flush, or hood mount
- Delivers exceptional straight on and off-angle performance with either its total internal reflector (TIR) or linear optic technology
- Multiple mounting solutions that eliminate the need for separate parts for surface, hood, and flush mounting
- TIR optics
- 6 LED Single colour featuring 29 flash patterns
- 12 LED Multicolour featuring 69 flash patterns
- 24 LED Quad-colour featuring 286 flash patterns
- Syncs with MEGA THIN™, MEGAFLEX™, Code 3's Chase, MR6, and M180 exterior lights

T: 1800 025 921 | E: esgapcs@esg.global