



## DIRECTIONAL LEDS



### MR6 Series Multi-mount with dimming wire

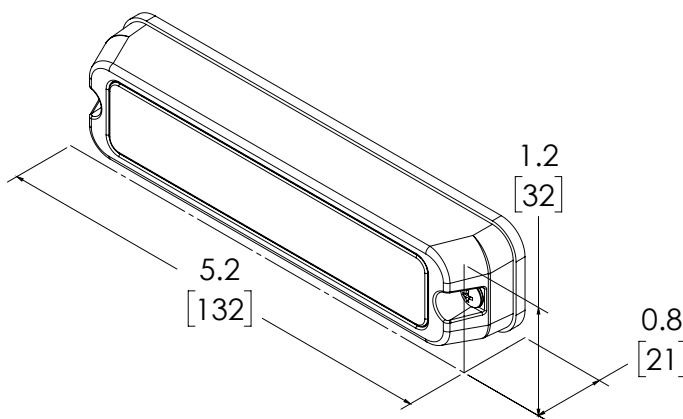
The MR6 delivers exceptional straight-on and off-angle performance with its total internal reflector (TIR) or linear optics technology. Mount it flush on the vehicle's surface, on the hood, on the hatch or virtually anywhere. A separate trigger wire for the dimming function allows greater flexibility and control for low light conditions. Other features include a water-resistant design, phase syncing capability and sync function with Code Chase™ and M180™ exterior lights.

#### Model

PART NO.	LED COLOUR	LENS	FLASH	VDC	AMPS
MR6MC-RB-DIM		CLEAR	69	12-24	1.25

#### Design Features

- Allows for virtually unlimited mounting possibilities with surface, flush, or hood mount
- Delivers exceptional straight on and off-angle performance with either its total internal reflector (TIR) or linear optic technology
- Multiple mounting solutions that eliminate the need for separate parts for surface, hood, and flush mounting
- TIR optics
- Separate trigger wire for dimming in low light conditions
- 12 LED Multicolour featuring 69 flash patterns
- Syncs with MEGA THIN™, MEGAFLEX™, Code 3's Chase, MR6, and M180 exterior lights



T: 1800 025 921 | E: esgapcs@esg.global