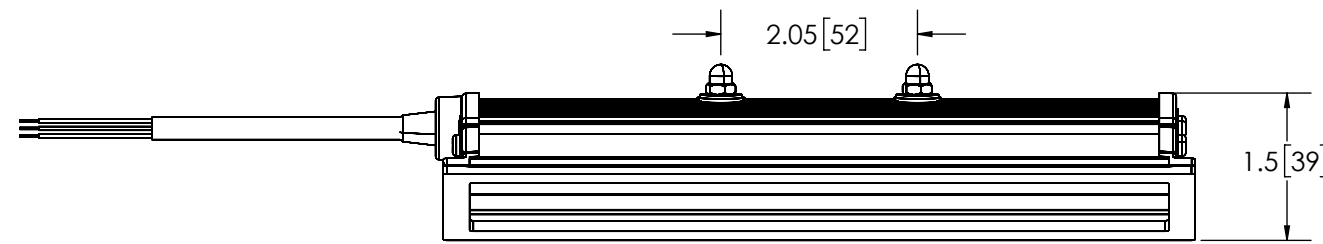
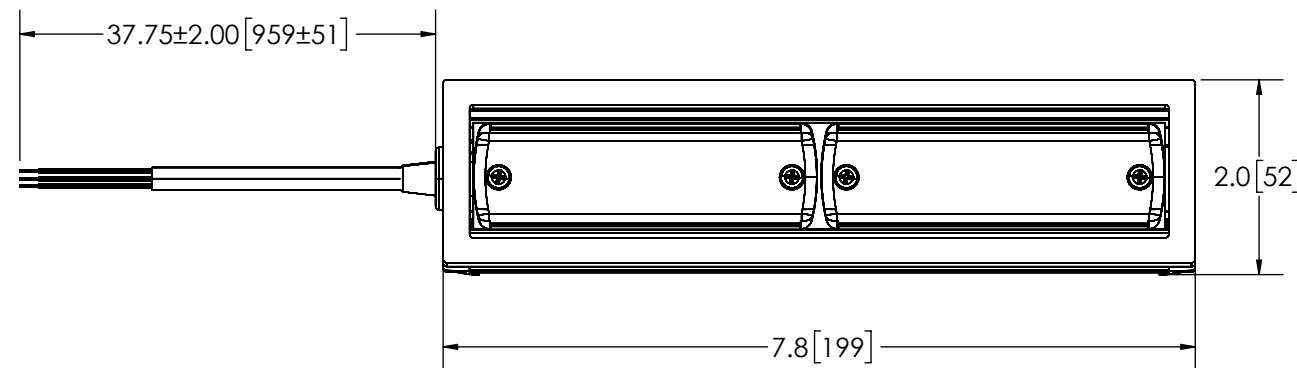


REVISION HISTORY		
REV.	DESCRIPTION	DATE
03	REVISED PER ELO181	2020-11-18
04	REVISED PER ELO181	2020-11-24
A	INITIAL RELEASE PER ELO181	2020-12-23



TOP VIEW



FRONT VIEW

SPECIFICATIONS

- CERTIFICATIONS: ECE R10; SAE ; CA Title 13 ;
Reg 65 Cert(SEE CHART) ;
Note: Unique components, accessories, and hardware kits are not typically Included in the Product Certification Test Protocols. Unless otherwise Specified, the Product Certifications referred to herein are predicated upon the base product model configuration.
- FLASH MODE: SINGLE : 75 ± 5 FLASHES PER MINUTE
DOUBLE : 75 ± 5 FLASHES PER MINUTE
QUAD : 75 ± 5 FLASHES PER MINUTE
- VOLTAGE (NOMINAL): 12-24 VDC
- VOLTAGE (EXTREME): 10-30 VDC
- CURRENT (PEAK): SEE CHART (@ 12 VDC NOMINAL)
- POWER (MAXIMUM): SEE CHART (@ 12 VDC NOMINAL)
- TEMPERATURE RANGE: -40°F (-40°C) TO 149°F (65°C)
- CONNECTION: 5-20 AWG CABLE
- MOUNTING: ADHESIVE
- BASE MATERIAL: ALUMINUM
- LENS MATERIAL: POLYCARBONATE
- PRODUCT WEIGHT: 0.6 LBS (0.27 Kg)

FGS. PRODUCT CHART						
FGS. NO.	COLOR	CURRENT (PEAK) A	POWER (MAX) W	SAE J595	CA T13	ECE R65
CD3974AW	AMB/WHT	0.8	9.6	CLASS 1; AMB, WHT	CLASS B; AMB	CLASS 1; AMB
CD3974BW	BLU/WHT	0.7	9.3	CLASS 1; BLU, WHT	CLASS B; BLU	CLASS 1; BLU
CD3974RW	RED/WHT	0.8	9.6	CLASS 1; RED,WHT	CLASS B; RED	CLASS 1; RED
CD3974RWBW	RED/WHT, BLU/WHT	0.8	9.6	CLASS 1; WHT	-	-


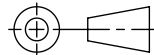
DISCLAIMER
DIMENSIONS, ILLUSTRATIONS, SPECIFICATIONS, AND CERTIFICATIONS CONTAINED IN THIS DOCUMENT ARE TYPICAL OF THE ACTUAL PRODUCT AND ARE SUBJECT TO CHANGE. ESG ENGINEERING DOES NOT MAINTAIN FORMAL DESIGN CONTROL OF THIS PRODUCT.

MOUNTING DISCLAIMER
MOUNTING MEASUREMENT IS FOR REFERENCE ONLY. MEASURE BEFORE DRILLING.

- NOTES:**
- ROHS COMPLIANT
 - DIMENSIONS IN INCHES[MILLIMETERS (FOR REFERENCE)]

PROPRIETARY AND CONFIDENTIAL INFORMATION

THIS DRAWING AND THE DESIGN AND OTHER INFORMATION DISCLOSED HEREIN ARE THE PROPERTY OF ELECTRONIC CONTROLS COMPANY AND/OR ITS ECCO SAFETY GROUP AFFILIATES ("CODE3") AND IS ISSUED IN CONFIDENCE TO RECIPIENT FOR ENGINEERING INFORMATION PURPOSES ONLY. THIS DRAWING AND THE DESIGN AND OTHER INFORMATION DISCLOSED HEREIN MAY NOT BE USED, COPIED, REPRODUCED OR OTHERWISE DISCLOSED IN PART OR IN WHOLE TO THIRD PARTIES OR USED FOR ANY OTHER PURPOSE WITHOUT PRIOR CODE3 WRITTEN CONSENT. CODE3 RESERVES ALL PATENT, COPYRIGHT, TRADEMARK AND OTHER PROPRIETARY RIGHTS TO THIS DOCUMENT, INCLUDING ALL DESIGN, MANUFACTURING, REPRODUCTION, USE AND SALES RIGHTS THEREOF. THIS DRAWING IS SUBJECT TO RECALL BY CODE3 AT ANY TIME, AND YOUR POSSESSION AND/OR USE CONSTITUTES ACCEPTANCE OF THESE TERMS. ©2020 ELECTRONIC CONTROLS COMPANY

SCALE 1:2		APPROVALS	DATE	 www.code3esg.com Americas (314) 426-2700 Europe +44 (0)113 239 1111 Asia Pacific +61 (0)7 32937900 DIRECTIONAL WINDOW SHROUD, 2 LIGHTHEADS											
CAD GENERATED DRAWING DO NOT MANUALLY UPDATE. MODEL REFERENCED:01		DRAWN BY: ABB	2020-11-24												
TOLERANCES ARE IN INCHES, AND MILLIMETERS TOLERANCES UNLESS OTHERWISE STATED ARE:		CHECKED: ART	2020-11-24												
<table border="0"> <tr> <td>MILLIMETERS DECIMALS</td> <td>INCHES DECIMALS</td> <td>ANGLES</td> </tr> <tr> <td>XX.X ± 1.0mm</td> <td>X.X ± 0.1</td> <td>± 0.5°</td> </tr> <tr> <td>XX.XX ± 0.5mm</td> <td>X.XX ± 0.04</td> <td>FRACTIONS</td> </tr> <tr> <td></td> <td>X.XXX ± 0.02</td> <td>± 1/64</td> </tr> </table>		MILLIMETERS DECIMALS	INCHES DECIMALS		ANGLES	XX.X ± 1.0mm	X.X ± 0.1	± 0.5°	XX.XX ± 0.5mm	X.XX ± 0.04	FRACTIONS		X.XXX ± 0.02	± 1/64	MECH. ENG. JLA
MILLIMETERS DECIMALS	INCHES DECIMALS	ANGLES													
XX.X ± 1.0mm	X.X ± 0.1	± 0.5°													
XX.XX ± 0.5mm	X.XX ± 0.04	FRACTIONS													
	X.XXX ± 0.02	± 1/64													
THIRD ANGLE PROJECTION		ELEC. ENG. SPO	2020-11-30												
		TEST ENG. BAK	2020-11-30												
		SALES. MD	2020-12-02												
Electronically Controlled Use Latest Copy		SHEET 1 OF 1		CUSTOMER PART NO. SEE CHART SIZE: B DWG. NO. CD3974XX Project: EL0181 Date Created: 2020-08-24											

REV. A