



## M180™ Triple Stack

### Benefits

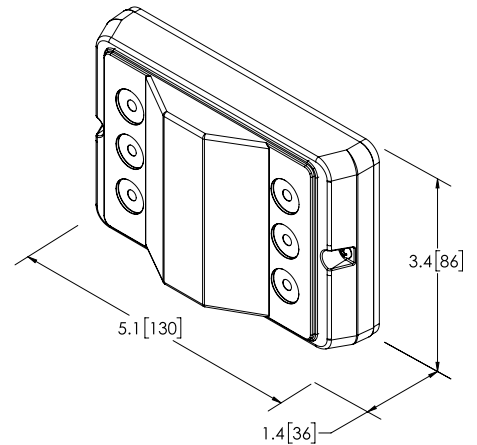
- Provides the functionality of a warning light, allowing vehicle's safe arrival to the scene, plus a worklight to create a safe, bright working environment at the scene all in a single package
- Utilizes three rows of lighting to produce a bright, off-angle, 180 degree lighting spread
- Offers flexibility with multiple mounting applications in headlamps, on bumpers, and sides of any emergency vehicle

### Design Features

- Steady burn override for worklight functionality
- Single color models have 29 flash patterns
- Multicolor models have 69 flash patterns
- IP67 rated for dust and water resistance
- Programmable with the Code 3 Lighthouse Programmer
- 248 Lumens on the M180L Take down model
- Syncable with Code 3's Chase™, MR6, Mega Thin™, XTP, and M180™ lights
- Compatible with Code 3's Oscilaser™ housing and installation



## Multipurpose, Wide-Angled Light



### Specifications



3.4 H x 5.1" L x 1.4" D  
(86 x 130 x 36 mm)



12/24VDC  
1.7 ampere



SAE J845 and J595 Class 1, California Title 13, IP67 rated, R65 and R10, NFPA and KKK-A-1822F certified when properly configured



5-year warranty

### Colors



### Options

- Chrome bezel for lower zone C applications and other apparatus applications (model #???)
- Plastic housing for headlight and other applications (model #???)

