



BEACONS



ECCOLED SERIES - BRONZE LED Beacons

The Bronze ECCOLED Beacon utilises 9 powerful LEDs, arranged to produce a 360° flash pattern by using solid-state, maintenance free long-life nature LED technology. This high-performance range has improved EMC, is robust and compact in a popular housing design and is available in four standard mounting options. The ECCOLED range of beacons are suitable for a variety of vehicles and are backed by a two-year warranty.

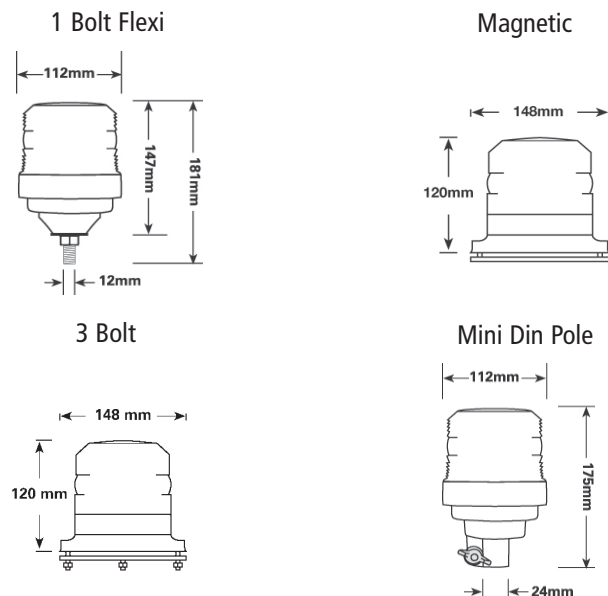
Features and Benefits

- Polycarbonate lens with robust base
- 9 LEDs
- 1.06 AMPs
- Long life LED technology
- Operating Voltage Range 12-24
- 360° light output
- Nominal current consumption: 1.06A @ 12V
- IP69K option (3 bolt only with sealing boot)
- Airport approvals, ICAO, CAP168 available*

Models

PART NO.	MOUNT	COLOUR	FPM
EB5010A	3 Bolt	Amber	135
EB5011A	1 Bolt Flexi	Amber	135
EB5012A	Mini Din Pole	Amber	135
EB5013A	Magnetic	Amber	135
EB5010G	3 Bolt	Green	135
EB5011G	1 Bolt Flexi	Green	135
EB5012G	Mini Din Pole	Green	135
EB5013G	Magnetic	Green	135
EB5010A-AIR*	3 Bolt	Amber	75
EB5011A-AIR*	1 Bolt Flexi	Amber	75
EB5012A-AIR*	Mini Din Pole	Amber	75
EB5013A-AIR*	Magnetic	Amber	75

Dimensions



+44 (0)113 237 5340 | sales@eccogroup.com