



DIRECTIONALS



ED3706 SERIES

Multi Mount LED

The ED3706 series is an ultra thin, low profile LED. Available in solid and split colour, this compact LED is ideal for a wide variety of applications, offering the flexibility of four mounting options: surface mount, tilt bracket, self-adhesive mount, and edge mount (all necessary hardware is included with each light). Featuring 29 flash patterns and synchronisation capability, this super bright LED is designed for maximum light output at all angles.

Models

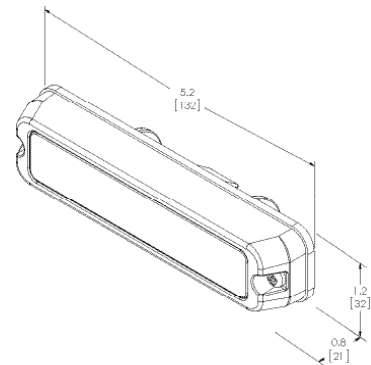
PART NO.	COLOURS	VDC	AMPS
ED3706A	Amber	12-24	0.9
ED3706B	Blue	12-24	0.9
ED3706C	Clear	12-24	0.9
ED3706R	Red	12-24	0.9
ED3706AB	Amber, Blue	12-24	0.9
ED3706AC	Amber, Clear	12-24	0.9
ED3706RB	Red, Blue	12-24	0.9

Features and Benefits

- Six high-intensity LEDs provide exceptional warning
- 29 flash patterns
- Synchronisable
- Aluminium housing, polycarbonate lens
- Four mounting options (hardware included)
- Temperature Range: -30°C to +50°C



Dimensions



Flash Patterns (29)

- Single Flash 75FPM sim. Phase1
- Single Flash 75FPM sim. Phase2
- Single Flash 75FPM sim. Alternating
- Single Flash 120FPM sim. Phase1
- Single Flash 120FPM sim. Phase2
- Single Flash 120FPM sim. Alt
- Double Flash 75FPM sim. Phase1
- Double Flash 75FPM sim. Phase2
- Double Flash 75FPM sim. Alt
- Double Flash 120FPM sim. Phase1
- Double Flash 120FPM sim. Phase2
- Double Flash 120FPM sim. Alt
- Quad Flash 75FPM sim. Phase1
- Quad Flash 75FPM sim. Phase2
- Quad Flash 75FPM sim. Alt
- Quad Flash 150FPM sim. Phase1
- Quad Flash 150FPM sim. Phase2
- Quad Flash 150FPM sim. Alt
- Triple 75FPM sim. Phase1
- Triple 75FPM sim. Phase2
- Triple 75FPM sim. Alt
- Quint Flash 150FPM sim. Phase1
- Quint Flash 150FPM sim. Phase2
- Quint Flash 150FPM sim. Alt
- Steady - Single
- Steady Burn
- Modulation
- 2 Double Flash, 2 Triple Alt
- 4 Single Flash, 2 Quad Flash Alt