



## DIRECTIONALS



### ED0010 SERIES Hide-A-LED™ Bullet Concealed Warning LED

The Hide-A-LED™ Bullet is a concealed LED warning light that features two high intensity 3-watt LEDs to deliver an exceptionally bright warning signal. Available with 18mm or 51mm shaft lengths, the Bullet is designed to allow quick and easy installation in any headlight or tail light casing. Requiring only a single 13mm hole, the Bullet's shape overcomes the problem of difficult installation in the highly compact, double-wall design of modern vehicle light casings. In addition, the Bullet is self-adhesive and requires no mounting hardware (can also be secured with screws). The unit features 12/24 VDC operation, 16 flash patterns, the ability to synchronise with additional units, and an included 2.7M cable.

#### Models

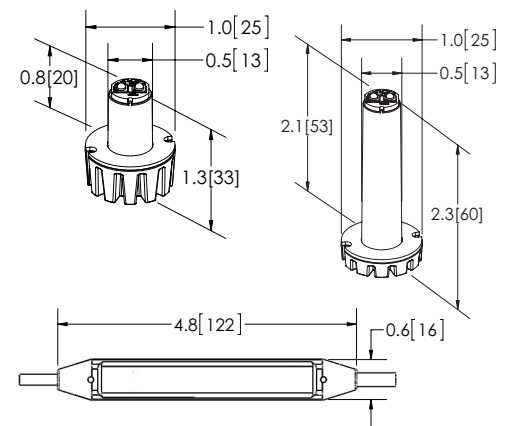
| PART NO. | TYPE | VDC   | AMPS | LUMENS    |       |      |
|----------|------|-------|------|-----------|-------|------|
|          |      |       |      | Amber/Red | Clear | Blue |
| ED0010X  | 18mm | 12-24 | 0.5  | 200       | 460   | 100  |
| ED0011X  | 51mm | 12-24 | 0.5  | 200       | 460   | 100  |

Replace X in part number with desired LED color: A = amber, B = blue, C = clear, R = red

#### Features and Benefits

- Two 3-watt high-intensity LEDs provide exceptional warning
- 16 flash patterns including single, double, triple, quad, deci and cycle all
- Synchronisable (simultaneous or alternating operation)
- Quick and easy 13mm hole installation
- Self-adhesive peel-and-stick mounting (can be secured with screws)
- In-line waterproof driver module eliminates the need for a remote power supply
- Nickel-plated aluminium housing and 2.7M cable

#### Dimensions



#### Application Images

