

delta design



PRODUCT GUIDE



With its European Headquarters in Leeds, UK, ECCO Safety Group (ESG) is a worldwide leader in commercial and emergency vehicle warning and safety products. With seven manufacturing facilities on four continents – North America, Europe, Asia and Australia, ESG markets a portfolio of the most respected brands in the industry. ESG serves more than 500 OEMs and thousands more private label, fleet and aftermarket customers in a range of industries including heavy construction, material handling, utilities and emergency services. The Delta Design brand supports the industrial market.

Our people are passionate about safety and since 1975, Delta Design has been synonymous with design innovation, premium quality and customer service excellence. Everything we do is designed to maximise visibility and reduce accidents wherever industrial applications are used.

ESG Europe
Leeds, UK

ESG Americas
Boise, Idaho, USA

ESG Asia Pacific
Launceston, Tasmania, Australia

Contents



LP SERIES BEACONS

LP Series LED.....	4
LP Series Xenon.....	5



LT SERIES BEACONS

LT Series LED.....	6
LT Series Xenon.....	7
LT2 Series LED.....	8



MIDSIZE BEACONS

RB Series LED and Xenon.....	9
Hedgehog Series LED and Xenon.....	10



LARGE BEACONS

LB Series LED.....	11
EL Series LED.....	12



PANEL MOUNT INDICATORS

Microstrobe Series.....	13
Ministrobe Series.....	14



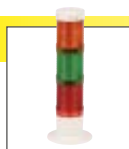
RECHARGEABLE BEACON

Sentry Series.....	15
--------------------	----



ACCESSORIES

Beacon Accessories.....	16
Beacon Spare Parts.....	16



STACKER LIGHTS

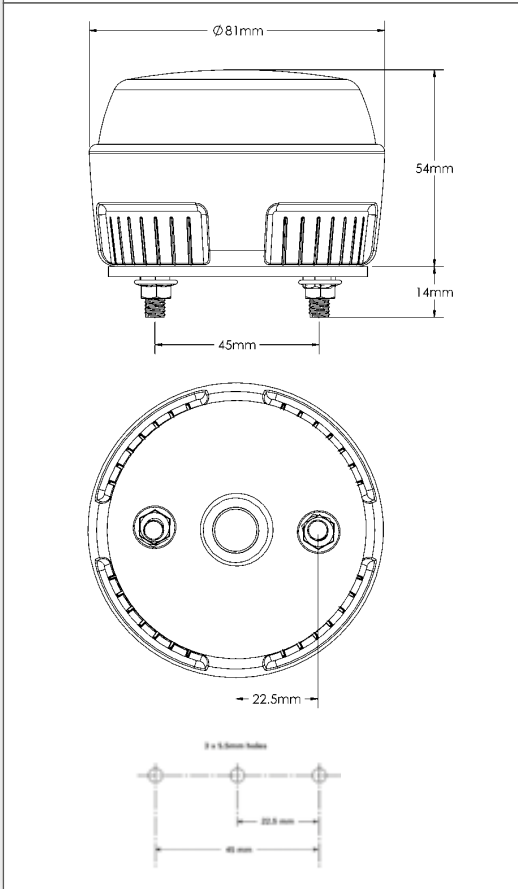
Stacker LED modules.....	17
Stacker Bases.....	18
Stacker Buzzers.....	19

Symbols used in this catalogue

- A** Current consumption
- V** Voltage range
- W** Watts
- Flashes per minute
- Flash rate
- Approvals

All specifications are nominal and subject to change without notice.

LP Series LED



High voltage transient and polarity reversal protected.
Operating temperature: -20°C to +60°C.

Multivoltage

Lens colour	Part No.
Amber	30000263
Blue	30000463
Red	30000363
Clear	30000163
Green	30000563
A (Flashing)	0.110A @ 12Vdc 0.055A @ 24Vdc 0.035A @ 50Vac 0.025A @ 100Vac
A (Constant)	0.08A @ 12Vdc 0.04A @ 24Vdc 0.025A @ 50Vac 0.02A @ 100Vac
V	10-100Vdc 20-72Vac
✓	IP67 CE

Mains

Lens colour	Part No.
Amber	30000264
Blue	30000464
Red	30000364
Clear	30000164
Green	30000564
A (Flashing)	0.15A @ 110Vac 0.10A @ 230Vac
A (Constant)	0.15A @ 110Vac 0.10A @ 230Vac
V	85-265Vac
✓	IP67 CE

Features:

- Six burst flash
- Low current consumption
- 360° visibility
- 65-75 FPM
- Flashing, 'steady burn' and continuously lit modes
- Operating temperature -20°C to +55°C
- High voltage transient and polarity reversal protection fitted
- IP67 when installed correctly
- Features white LEDs through coloured lenses

Materials:

- Polycarbonate lens and base

Mounting options:

FX2

Mounting base
521002



FX38

Mounting pole
with sounder
521058



FX39

Mounting pole
521059

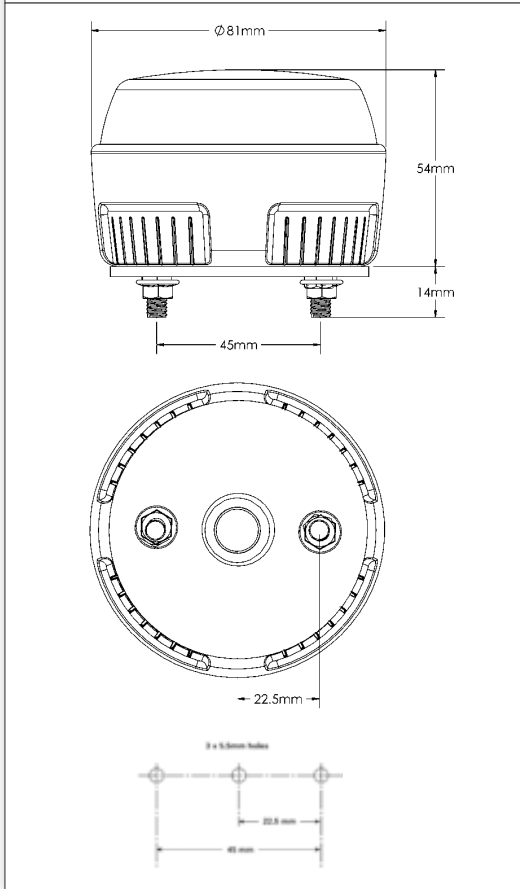


FX40

Mounting bracket
521034



LP Series Xenon



High voltage transient and polarity reversal protected.

Operating temperature: -20°C to +55°C.

Lens colour	Part No.			
Amber	30102270	30105270	30102271	30102272
Blue	30102470	30105470	30102471	30102472
Red	30102370	30105370	30102371	30102372
Clear	30102170	30105170	30102171	30102172
Green	30102570	30105570	30102571	30102572
A	0.130A @ 12Vdc 0.095A @ 24Vdc 0.083A @ 50Vac 0.037A @ 100Vac	0.25A @ 12Vdc 0.2A @ 24Vdc 0.112A @ 50Vac 0.06A @ 100Vac	0.1A @ 110Vac	0.04A @ 230Vac
V	10-100Vdc 20-72Vac	10-100Vdc 20-72Vac	90-125Vac	207-253Vac
W	2W	5W	2W	2W
	75 flashes/min	75 flashes/min	75 flashes/min	75 flashes/min
	Single flash	Single flash	Single flash	Single flash
	IP67 CE	IP67 CE	IP67 CE	IP67 CE

Features:

A range of 2W and 5W low profile Xenon beacons.

- Low current consumption
- Available in Multivoltage (10 - 100Vdc, 20 - 72Vac), 110Vac and 230Vac versions
- Weatherproof to IP67
- 360° visibility

Materials:

- Polycarbonate lens and base

Mounting options:

FX2

Mounting base
521002



FX38

Mounting pole
with sounder
521058



FX39

Mounting pole
521059

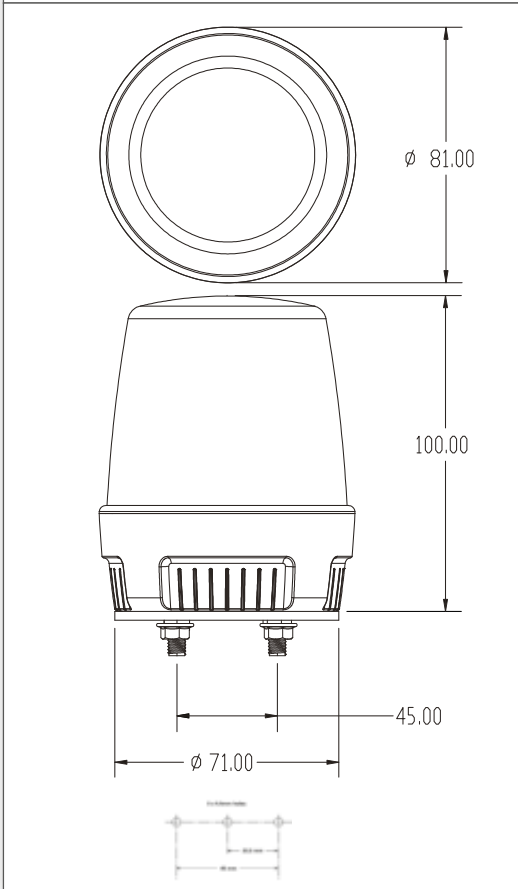


FX40

Mounting bracket
521034



LT Series LED



High voltage transient and polarity reversal protected.
Operating temperature: -20°C to +60°C.

Multivoltage

Lens colour	Part No.
Amber	31000260
Blue	31000460
Red	31000360
Clear	31000160
Green	31000560
A (Flashing)	0.110A @ 12Vdc 0.055A @ 24Vdc 0.035A @ 50Vac 0.025A @ 100Vac
A (Constant)	0.08A @ 12Vdc 0.04A @ 24Vdc 0.025A @ 50Vac 0.02A @ 100Vac
V	10-100Vac 10-100Vdc
✓	IP67 CE

Mains

Lens colour	Part No.
Amber	31000263
Blue	31000463
Red	31000363
Clear	31000163
Green	31000563
A (Flashing)	0.15A @ 110Vac 0.10A @ 230Vac
A (Constant)	0.15A @ 110Vac 0.10A @ 230Vac
V	85-265Vac
✓	IP67 CE

Features:

- Six burst flash
- Low current consumption
- 360° visibility
- 65-75 FPM
- Flashing, 'steady burn' and continuously lit modes
- Operating temperature -20°C to +55°C
- High voltage transient and polarity reversal protection fitted
- IP67 when installed correctly

Materials:

- Polycarbonate lens and base

Mounting options:

FX2

Mounting base
521002



FX38

Mounting pole
with sounder
521058



FX39

Mounting pole
521059

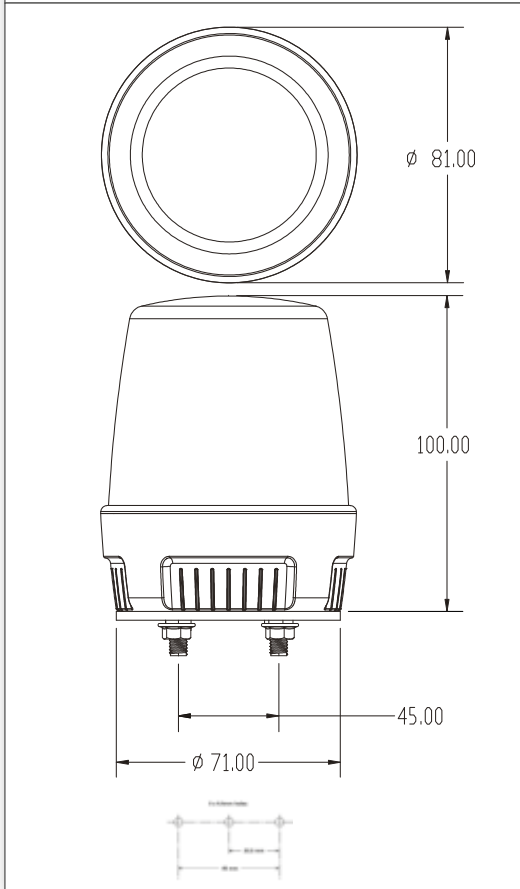


FX40

Mounting bracket
521034



LT Series Xenon



Lens colour	Part No.			
Amber	31102270	31105270	31105271	31105272
Blue	31102470	31105470	31105471	31105472
Red	31102370	31105370	31105371	31105372
Clear	31102170	31105170	31105171	31105172
Green	31102570	31105570	31105571	31105572
A	0.130A @ 12Vdc 0.095A @ 24Vdc 0.083A @ 50Vac 0.037A @ 100Vac	0.255A @ 12Vdc 0.19A @ 24Vdc 0.112A @ 50Vac 0.07A @ 100Vac	0.05A @ 110Vac	0.04A @ 230Vac
V	10-100Vdc 20-72Vac	10-100Vdc 20-72Vac	90-125Vac	207-253Vac
W	2W	5W	5W	5W
	75 flashes/min	75 flashes/min	90 flashes/min	90 flashes/min
	Single flash	Single flash	Single flash	Single flash
	IP67 CE	IP67 CE	IP67 CE	IP67 CE

Features:

A range of 2W and 5W compact Xenon beacons.

- Low current consumption
- Available in Multivoltage (10 - 100Vdc, 20 - 72Vac) versions
- Weatherproof to IP67
- 360° visibility

Materials:

- Polycarbonate lens and base

Mounting options:

FX2
Mounting base
521002



FX38
Mounting pole
with sounder
521058



FX39
Mounting pole
521059



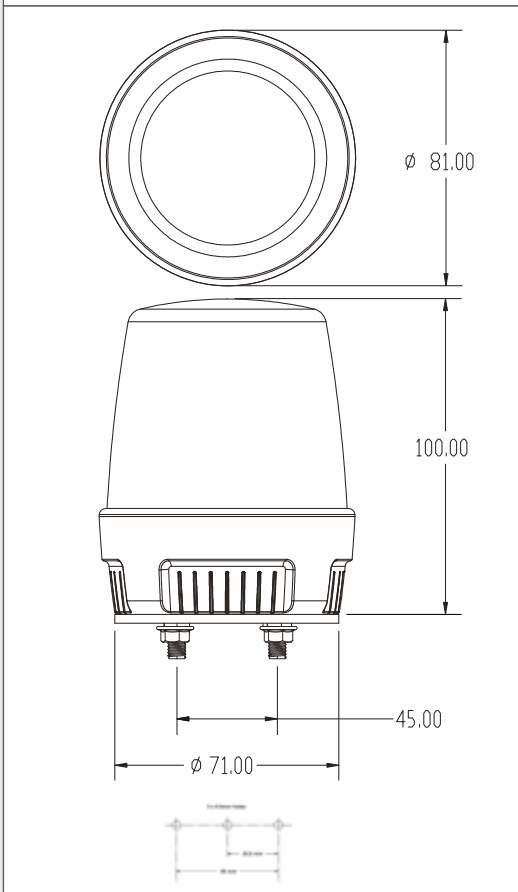
FX40
Mounting bracket
521034



High voltage transient and polarity reversal protected.

Operating temperature: -20°C to +55°C.

LT2 Series - LED



Lens colour	Part No.	
Red/Green	448021	446021
A Red Flashing	0.015A @ 110Vac 0.010A @ 230Vac	0.11A @ 12Vdc 0.055A @ 24Vdc 0.035A @ 50Vac 0.025A @ 100Vac
A Green Constant	0.015A @ 110Vac 0.010A @ 230Vac	0.08A @ 12Vdc 0.04A @ 24Vdc 0.025A @ 50Vac 0.02A @ 100Vac
V	85-265Vac	10-100Vdc
	65 flashes/min	65 flashes/min
	IP67 CE	IP67 CE

Features:

A compact dual function LED beacon – green continuous and red flashing light.

- Multivoltage 10 - 100Vdc and mains 110Vac and 230Vac versions
- Ideal for indicating process/system status – green continuous light for normal operation, red flashing to indicate status change
- A unique low cost alternative to conventional tower beacons
- Clear lens with coloured LEDs
- Low power consumption
- Weatherproof to IP67

Materials:

- Polycarbonate lens and base. ROHS compliant

Mounting options:

FX2

Mounting base
521002



521058

FX38

Mounting pole
with sounder
521058



FX39

Mounting pole
521059



FX40

Mounting bracket
521034



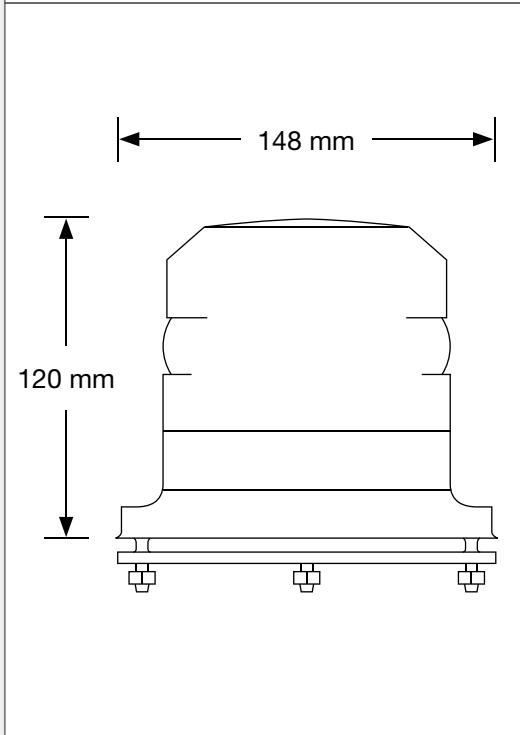
EMC - 2014/30/EU.

Complies with low voltage directive 2014/35/EU.

High voltage transient and polarity reversal protected.

Operating temperature: -20°C to +55°C.

RB Series LED and Xenon



EMC - 2014/30/EU.

High voltage transient and polarity reversal protection fitted.

Operating temperature: -20°C to +50°C.

Lens colour	LED Part No.	Xenon Part No.		
Amber	469087	470002	408022	408052
Blue	-	470004	408024	408054
Red	-	470003	408023	408053
Clear	-	470001	408021	408051
Green	-	470005	408025	408055
A (Flashing)	0.4A @ 12Vdc	1.5A @ 12Vdc 0.75A @ 24Vdc	0.13A @ 110Vac	0.07A @ 230Vac
V	20-72Vac 10-100Vdc	10-30Vdc	90-125Vxc	207-253Vac
W	-	15W	10W	10W
	62 flashes/min	125 flashes/min	110 flashes/min	94 flashes/min
	Six burst	Single flash	Single flash	Single flash
	R10, IP65 CE	IP65 CE, EMC	IP65 CE, EMC	IP65 CE, EMC

Features:

A bright, compact, low consumption, low voltage beacon, available in five colours.

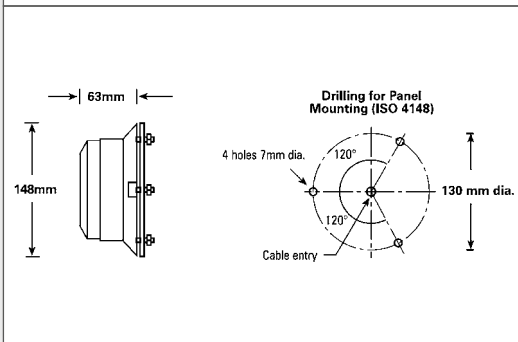
LED

- Six burst flash
- No moving parts
- Compact design
- Polycarbonate lens and ABS base
- 360° visibility
- IP69K optional with gasket

Xenon

- Single flash
- No moving parts
- Compact design
- Polycarbonate lens and ABS base

Hedgehog LED



Lens colour	Part No.	
Amber	424001	424011
A	0.024A	0.048A
V	20 - 100Vdc	10 - 15Vdc
	60 flashes/min	60 flashes/min
	IP65 CE	IP65 CE

Features:

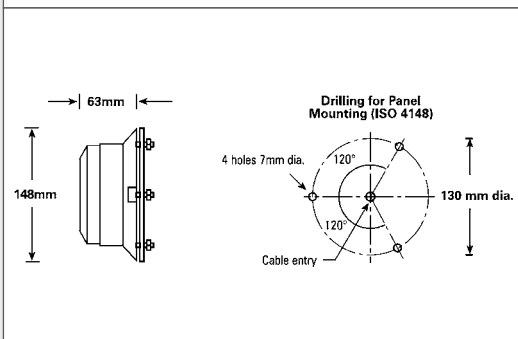
A bright, low profile LED beacon.

- High intensity flash
- Ultra-low power consumption
- Weatherproof to IP65
- Can be installed lens upwards or inverted

Product options:

- Multivoltage
20 - 100Vdc or
10 - 15Vdc
- Sounder plinth,
fixes to base of
beacon (see Husky
product options)

Hedgehog Xenon



Lens colour	Part No.
Amber	424095
Red	424096
A	0.04A @ 100V 0.3A @ 12V
V	10 - 100Vdc 20 - 72Vac
	75 flashes/min
	IP65 CE

Features:

A bright, multivoltage low profile 2W Xenon beacon.

- Multivoltage 10 - 100Vdc, 20 - 72Vac
- Bright intense Xenon flash
- Ultra-low power consumption
- Weatherproof to IP65
- Can be installed lens upwards or inverted

Product options:

- Sounder plinth,
fixes to base of
beacon
(see Husky
product options)

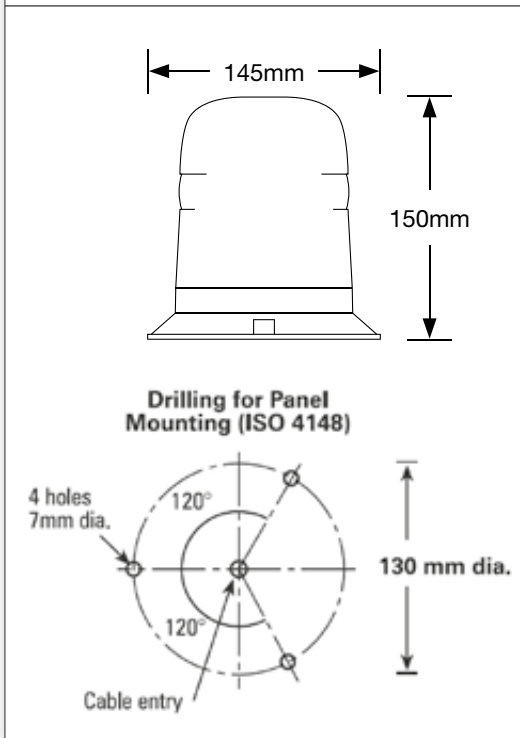
Operating temperature: -20°C to +55°C (max 40°C above 80V).

Beacon should be operated in a vertical position with lens uppermost.

Materials:

- Polycarbonate lens, ABS base (all Hedgehogs)

LB Series



High voltage transient and polarity reversal protection fitted.

Operating temperature: -20°C to +50°C.

Lens colour	Xenon Part No.
Amber	450002
Blue	450004
Red	450003
Green	450005
A	0.14A @ 110Vac
V	207 - 253Vac
	120 flashes/min
	Single flash
	IP65 CE

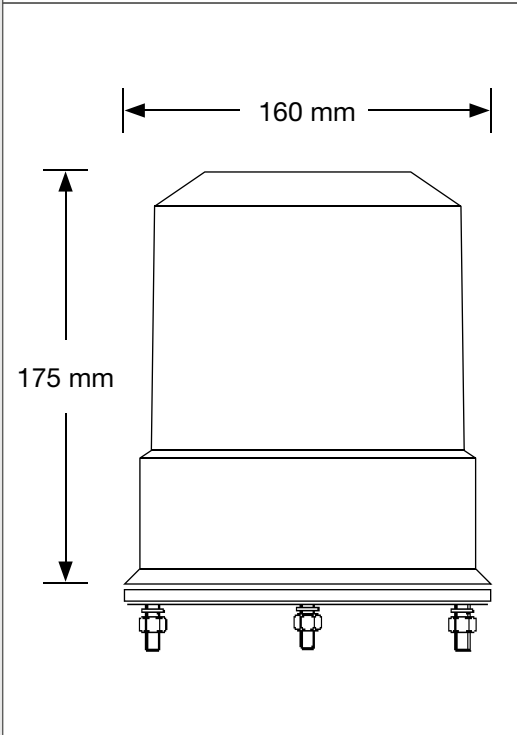
Features:

A large high powered 15W Xenon beacon.

Xenon

- Single flash
- Low power consumption
- 3,000 hours tube life
- No moving parts
- Polycarbonate lens and ABS base

EL Series



Lens colour	Xenon Part No.
Amber	423002
Blue	423004
Red	423003
Clear	423001
Green	423005
A	0.14A @ 230Vac
V	207 - 253Vac
W	15W
	120 flashes/min
	Single flash
	IP65 CE

Features:

A large high powered beacon with an inner fresnel lens and a smooth easy-clean outer lens.

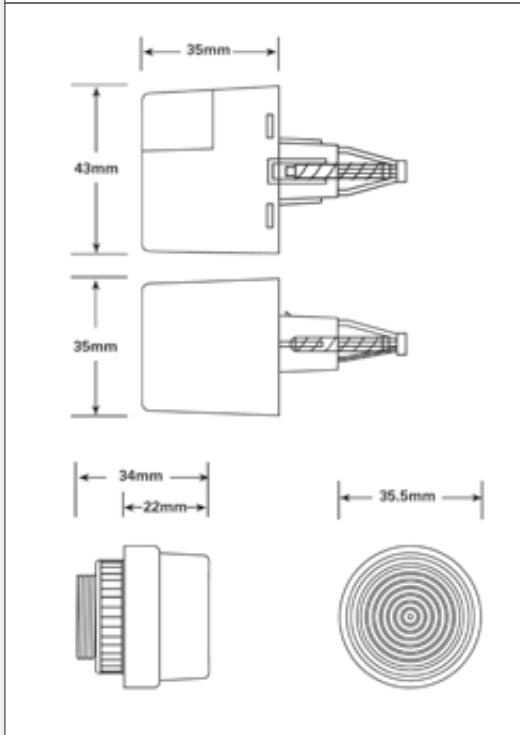
Xenon

- Single flash
- 3,000 hours tube life
- Polycarbonate lens and ABS base

High voltage transient and polarity reversal protection fitted.

Operating temperature: -20°C to +55°C.

Microstrobe



High voltage transient and polarity reversal protection fitted.
Operating temperature: -20°C to +50°C.

Lens colour	Lens Part No.
Amber	425042
Blue	425044
Red	425043
Clear	425041
Green	425045

	Driver Units Part No.		
	425031	429030	429020
V	10 - 100Vdc 20 - 72Vac	110Vac	230Vac

A	0.18A @ 12Vdc 0.14A@24Vdc, 0.09A@50Vac
V	10 - 100Vdc 20 - 72Vac
	75 flashes/min
	Single flash
	IP67 (front) CE

Features:

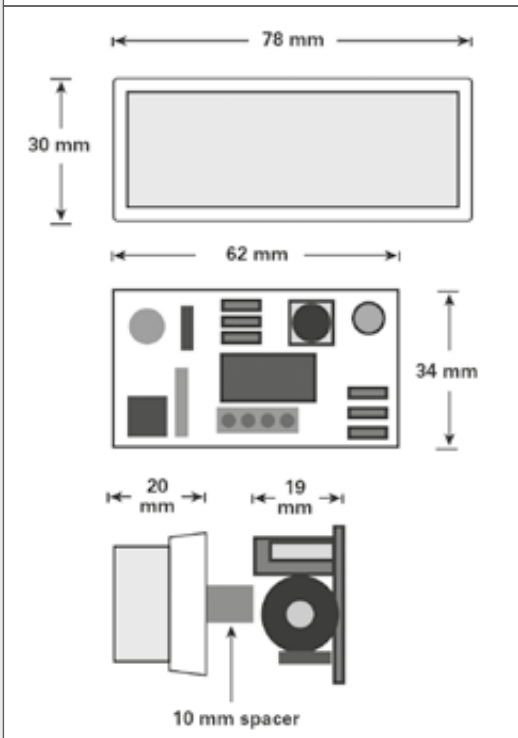
A compact and reliable high intensity Xenon warning light. Its small size makes it easy to install.

- Three versions 10V - 100Vdc / 20- 72Vac, 99 - 121Vac and 207 - 253Vac versions
- High intensity Xenon flash
- Compact one piece housing
- Simple to install in 22mm drilled hole plus keyway
- IP67 lens assembly when installed

Materials:

- Polycarbonate lens unit, ABS back box

Ministrobe



High voltage transient and polarity reversal protection fitted.
 Operating temperature: -20°C to +50°C.

Lens colour	Lens Part No.
Amber	571002
Blue	571004
Red	571003
Clear	571001
Green	571015

	Driver Units Part No.	
	471007	471008
V	12V	24V

A	0.115A
V	12Vdc
	60 flashes/min
	Single flash
	IP67 CE

Features:

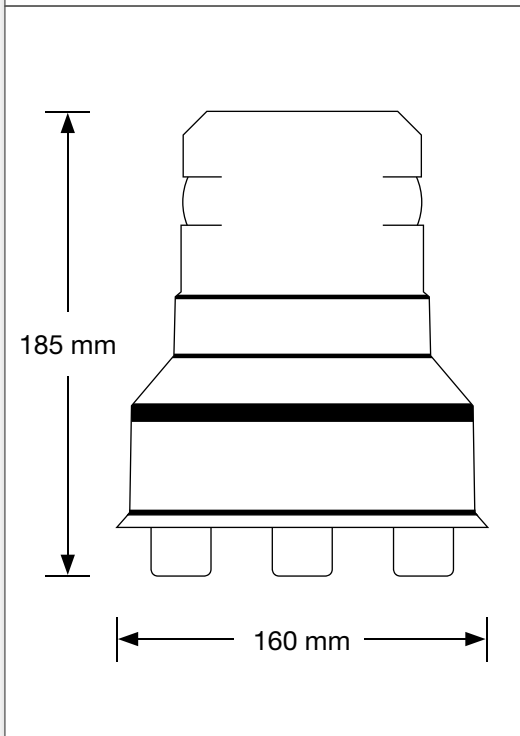
A compact and reliable Xenon flashing device. It comprises two assemblies; a drive module and a Xenon lamp unit.

- Multivoltage 12Vdc and 24Vdc versions
- Available in five lens colours
- Low power consumption
- Weatherproof to IP67

Materials:




- Acrylic lens and synthetic rubber base

Sentry Xenon



High voltage transient and polarity reversal protection fitted.

Operating temperature: -20°C to +50°C.

Lens colour	Xenon Part No.
Amber	420035
	64 flashes/min
	Single flash
	IP65 CE

Features:

A compact, stand-alone rechargeable battery powered LED or Xenon beacon. The Sentry has 12 hours flash time and is supplied with 12/24V charging lead.

- Compact – 160mm diameter, 190mm high
- Replacement lenses available: amber, red, blue, green or clear
- Supplied with 12/24V charging lead, 230Vac mains charging option
- Weatherproof to IP65

Materials:

- Polycarbonate lens, ABS base

Beacon Accessories

Reference	Description	Part Number	LP Xenon LP-LED	LT Xenon LT-LED LT2-LED	RB Series Husky Pup Husky Pup2	MX-LED	Hedgehog (Xenon/LED) Mayday	LB Series	EL Series
FX2	Mounting Base	521002	✓	✓					
FX9	Protector Guard	521033			✓	✓			
FX10	Protector Guard	521021							✓
FX12	Single Bolt Kit	521019							✓
FX14	Mounting Bracket	521018			✓	✓	✓	✓	✓
FX23	Protector Guard	521040					✓		
FX24	Surface Mount / Side Entry Kit	521043					✓		
FX28	Cable Entry Plinth	521052			✓	✓			✓
FX29	Sounder Plinth (Multivoltage)	521047			✓				
FX32	DC Sounder plus FX28	521060			✓	✓			✓
FX33	AC/DC Sounder plus FX28	521070			✓	✓			✓
FX37	Protector Guard	521053						✓	
FX38	Mounting Pole with Sounder	521058	✓	✓					
FX39	Mounting Pole	521059	✓	✓					
FX40	Mounting Bracket	521034	✓	✓					



Beacon Spare Parts

Product	Beacon	Clear/None	Amber	Red	Blue	Green
RB Lens Kit	RB Series / Husky / Husky Pup / Sentry	517001	517002	517052	517053	517005
EL Lens Kit	EL Series	517021	517026	517023	517027	517025
LB Lens Kit	LB Series	-	517122	517123	517124	517125
MX Lens Kit	MX	517126	-	-	-	-
PU Lens Kit	Pup2	-	517127	-	-	-
Hedgehog Lens Kit	Hedgehog	-	517102	517103	-	-
Microstrobe Lens Kit	Microstrobe	425041	425042	425043	425044	425045
Ministrobe Lens Kit	Ministrobe	571001	571002	571003	571004	571015

Beacons shown above are not included with accessories.

Stacker Lights - LED modules

Available in 50mm and 70mm



50mm range

LED module colour	Operating Status	Part number AC85 - 275V	Part number DC24V
Red	Dangerous	DIS5213	DIS5223
Yellow	Abnormal	DIS5215	DIS5225
Green	Normal	DIS5212	DIS5222
Blue	Discontinuity	DIS5211	DIS5221
White	Other	DIS5214	DIS5224

70mm range

LED module colour	Operating Status	Part number AC85 - 275V	Part number DC24V
Red	Dangerous	DIS7213	DIS7223
Yellow	Abnormal	DIS7215	DIS7225
Green	Normal	DIS7212	DIS7222
Blue	Discontinuity	DIS7211	DIS7221
White	Other	DIS7214	DIS7224

Features:

Delta Design's unique modular stacker light system allows you to easily mount and replace LED modules. Supplied in the standard variety of colours: red, yellow, green, blue and white, the modules clip together without the use of specialist tools or complicated wiring diagrams. All the benefits of LED lighting, long life, anti-shock, durability and low current draw make this stacker light range great value.



Easy connection

No need to wire the cable from the top light element to the base. Each light module comes with easy click and fit wiring.

Continuous/ flashing light

Each light module has a manual switch to change between a continuous or flashing light.

Click and Fit:

To lock, just twist clockwise to align  with the ▲ symbol, until it clicks into place. To unlock, just twist anti-clockwise to align the  with the ▲ symbol.



Stacker Lights - Bases

Available in black / white and 50mm / 70mm



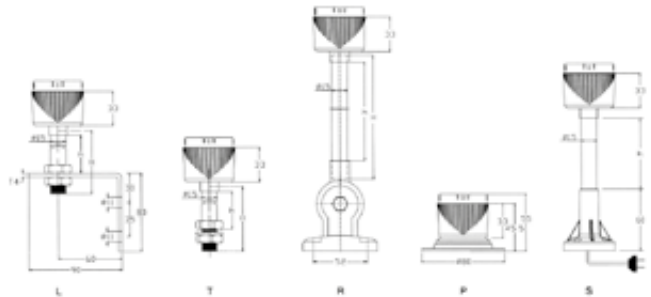
Features:

Choose from five mounting options in either black or white with matching cap and a 50mm or 70mm diameter. The easy to mount modular system means that you can clip and fit any of our modular lamps, alarms and buzzers to the base of your choice.

50mm range

	Part number (black)	Part number (white)
One bolt	DIS5331	DIS5332
Four bolt	DIS5001	DIS5002
Side mount	DIS5311	DIS5312
Pole mount	DIS5341	DIS5342
Adjustable pole mount	DIS5321	DIS5322

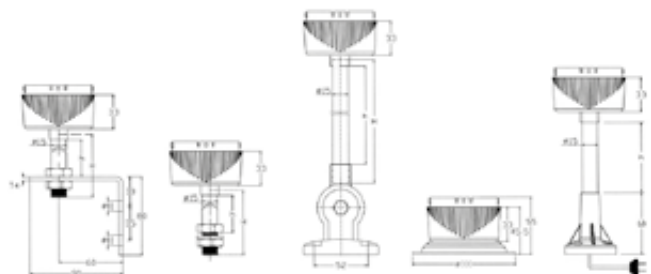
50mm dimensions



70mm range

	Part number (black)	Part number (white)
One bolt	DIS7331	DIS7332
Four bolt	DIS7001	DIS7002
Side mount	DIS7311	DIS7312
Pole mount	DIS7341	DIS7342
Adjustable pole mount	DIS7321	DIS7322

70mm dimensions



Stacker Lights - Buzzer

Available in black / white and 50mm / 70mm



50mm range

Size	Colour	Volume	Part number AC85 - 275V	Part number DC24V
50mm	Black	100dB	DIS5111	DIS5121
50mm	White	100dB	DIS5112	DIS5122

70mm range

Size	Colour	Volume	Part number AC85 - 275V	Part number DC24V
70mm	Black	100dB	DIS7111	DIS7121
70mm	White	100dB	DIS7112	DIS7122

Adjustable volume buzzer

Size	Colour	Volume	Part number DC24V
70mm	Black	120dB	DIS7121X

The Delta Design Stacker Lights range includes an adjustable buzzer for audio signalling. Available in both the 50mm and 70mm range the 100dB buzzer is switchable between a continuous and intermittent alarm. Also available in the 70mm range is the high volume buzzer with an adjustable volume of up to 120dB.

Features:

- All buzzers easily switchable between continuous or intermittent mode
- 60 - 80 beeps per minute
- Just turn a switch on the unit to change the volume on the adjustable volume buzzer up to 120dB

Worldwide leader in
commercial and emergency
vehicle warning and safety products

www.eccosafetygroup.com

Distributed by:

 delta design

Unit 1, Coal Road, Leeds, LS14 2AL, UK
+44 (0)113 237 5340 | europa@eccogroup.com | www.eccosafetygroup.com

A Division of ESG | www.eccosafetygroup.com