

# KREVON



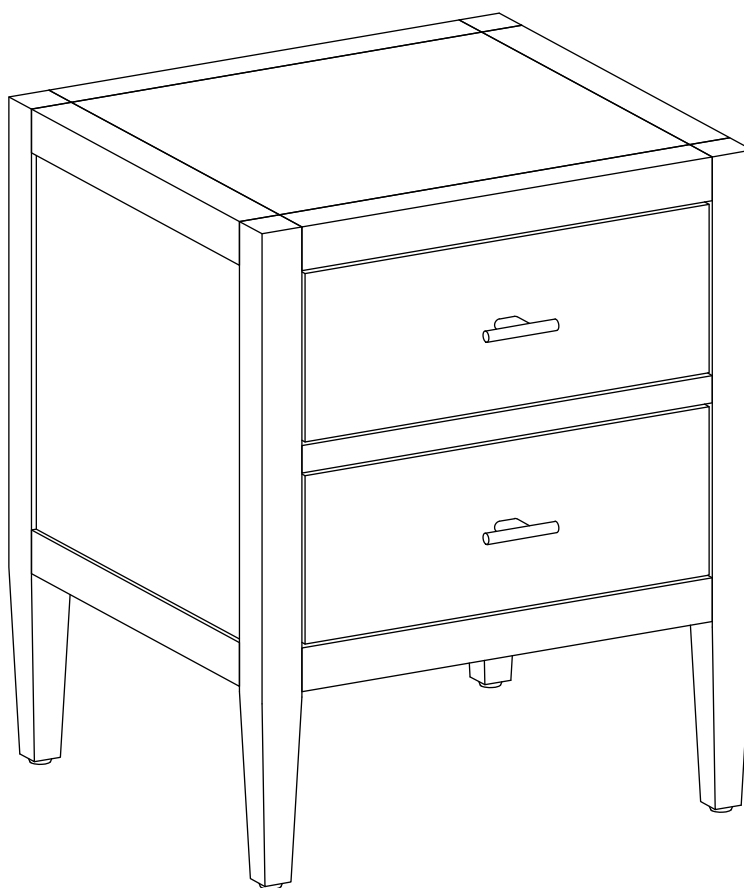
10 min



## ASSEMBLY INSTRUCTION

### NIGHT STAND WITH POWER STATION

Thank you for purchasing this quality product. Be sure to check all packing material carefully for small parts which may have come loose inside the carton during shipment. Identify and count all parts and compare with the parts list below.



**NOTICE: DO NOT use the power tools for assembly.**  
This can cause the bolts to be over tightened.  
**DO NOT over tighten hardware, damage may occur.**

In case of defect or concern, within 30 days contact us for free replacement and support solution by  
**Support and E-Warranty**  
**[info@krevonhome.com](mailto:info@krevonhome.com)**

### **IMPORTANT INFORMATION!**

- Please read the entire manual before starting to assemble and/or using this product. Follow the manual thoroughly and keep it for further reference.

### **AVOID SCRATCHES!**

- In order to avoid scratching, this furniture should be assembled on a soft layer — could be a rug.

### **IMPROVE EFFICIENCY!**

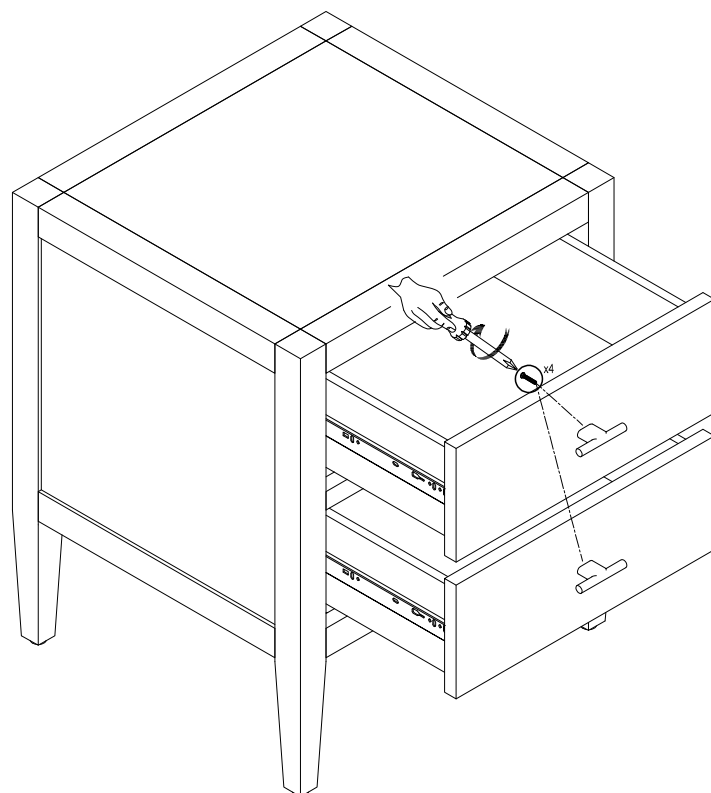
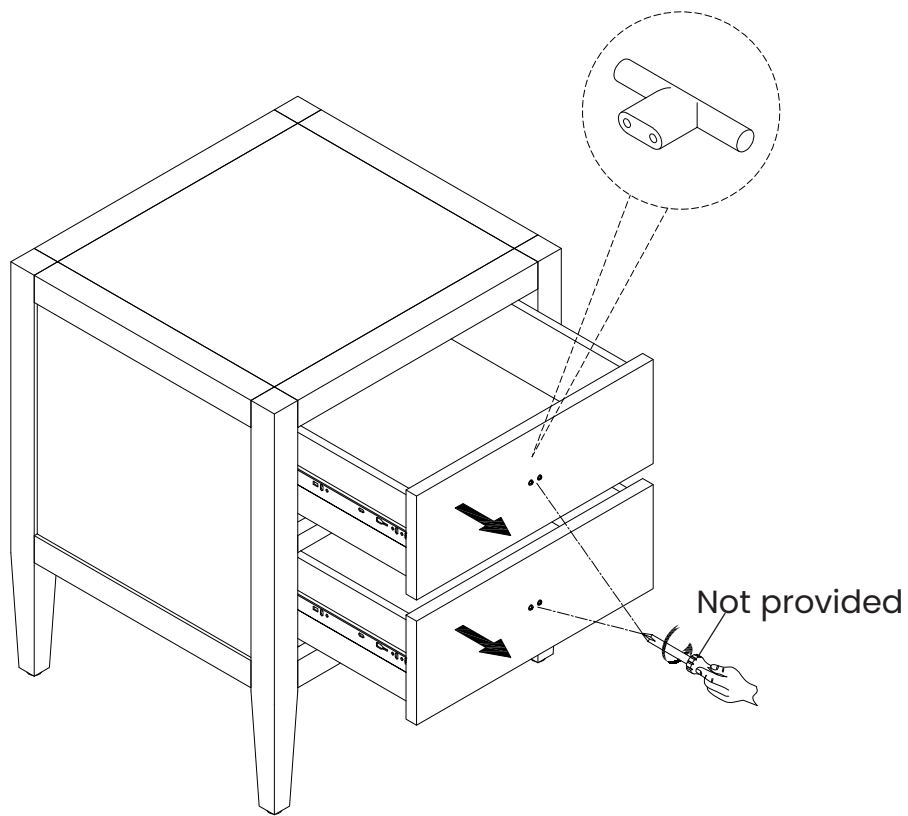
- Try to find a partner to install with you, which can speed up the installation efficiency and shorten the time.

### **IMPORTANT!**

- It is important that any product which is assembled using any kind of screw is re-tightened 2 weeks after assembly, and once every 3 months in order to assure stability throughout the lifespan of the product.
- For regular maintenance and cleaning of the product, for the frame, please use a rag dipped in neutral detergent to fully wipe it, and then dry it with a clean rag. For glass materials, wipe with a rag dampened with water glass cleaner, and then dry with a dry rag.
- Do not use an electric screwdriver, and do not use too much force when installing, because the board is easy to break.
- Make sure you get screws lined up with the predrilled holes before you tighten all screws during installation.

STEP 1

Loosen the handle and attach it to the outside of the drawer.





In case of defect or concern, within 30 days contact us for free replacement and support solution by  
Support and E-Warranty  
[info@krevonhome.com](mailto:info@krevonhome.com)