



# GlobalTop Flash Tool User Guide

Rev.A03

# GlobalTop Flash Tool User Guide

Rev.A03

CONFIDENTIAL

The document is the exclusive property of GlobalTop Tech Inc. and should not be distributed, reproduced, or any other format without prior permission of GlobalTop Tech Inc. Specifications subject to change without prior notice

---

## GlobalTop Tech Inc.

No.16 Nan-ke 9<sup>th</sup> Rd Science-based Ind. Park, Tainan 741-47, Taiwan, R.O.C.

Tel:+886-6-5051268 Fax:+886-6-5053381 <http://www.gtop-tech.com/> email: sales@gtop-tech.com

Copyright© 2013 GlobalTop Tech Inc. All right reserved.



# GlobalTop Flash Tool User Guide

Rev.A03

History		
Date	Rev.	Description
2009.12.15	A00	1 <sup>st</sup> Release
2011.10.04	A01	2 <sup>nd</sup> Release
2012.10.19	A02	3 <sup>rd</sup> Release
2017.02.03	A03	4 <sup>th</sup> Release

CONFIDENTIAL

The document is the exclusive property of GlobalTop Tech Inc. and should not be distributed, reproduced, or any other format without prior permission of GlobalTop Tech Inc. Specifications subject to change without prior notice

## GlobalTop Tech Inc.

No.16 Nan-ke 9<sup>th</sup> Rd Science-based Ind. Park, Tainan 741-47, Taiwan, R.O.C.

Tel:+886-6-5051268 Fax:+886-6-5053381 <http://www.gtop-tech.com/> email: sales@gtop-tech.com

Copyright© 2013 GlobalTop Tech Inc. All right reserved.



# GlobalTop Flash Tool User Guide

Rev.A03

## 1. Introduction

The Flash tool is only for MTK module to update the firmware of GPS chip, the tool just have download function ,no parameter setting function , if you need to change parameter setting of GPS module, please contact your provider.

## 2. Features

- One-to-One 、 One-to-many firmware burning
- Support all MTK product of Global Top Inc

## 3. Functional Specification

- **File**
  - Download Agent-Selection of download agent file
  - ROM-Selection of firmware file
- **Action**
  - Connect-To open COM PORT
  - Download-Start burning
  - Stop-Stop burning
- **ComPort**
  - COM-Selection of COM PORT
  - Update Baud rate-Selection of burn speed
  - NMEA Baud rate-Selection of test speed
- **Option**
  - Series-Selection of MTK chip
    1. MT3329/MT3339/MT3333
    2. MT3318
- **About**
  - Display corporation 、 software version information

The document is the exclusive property of GlobalTop Tech Inc. and should not be distributed, reproduced, or any other format without prior permission of GlobalTop Tech Inc. Specifications subject to change without prior notice

### GlobalTop Tech Inc.

No.16 Nan-ke 9<sup>th</sup> Rd Science-based Ind. Park, Tainan 741-47, Taiwan, R.O.C.

Tel:+886-6-5051268 Fax:+886-6-5053381 <http://www.gtop-tech.com/> email: sales@gtop-tech.com

Copyright© 2013 GlobalTop Tech Inc. All right reserved.



# GlobalTop Flash Tool User Guide

Rev.A03

## 4. Operation Instruction

1. To select “**Option**”→”**Series**”, then according to chip model to choose 3329 、3339 、3333 、3318. it needs to match relative file. As shown below in figure 4-1

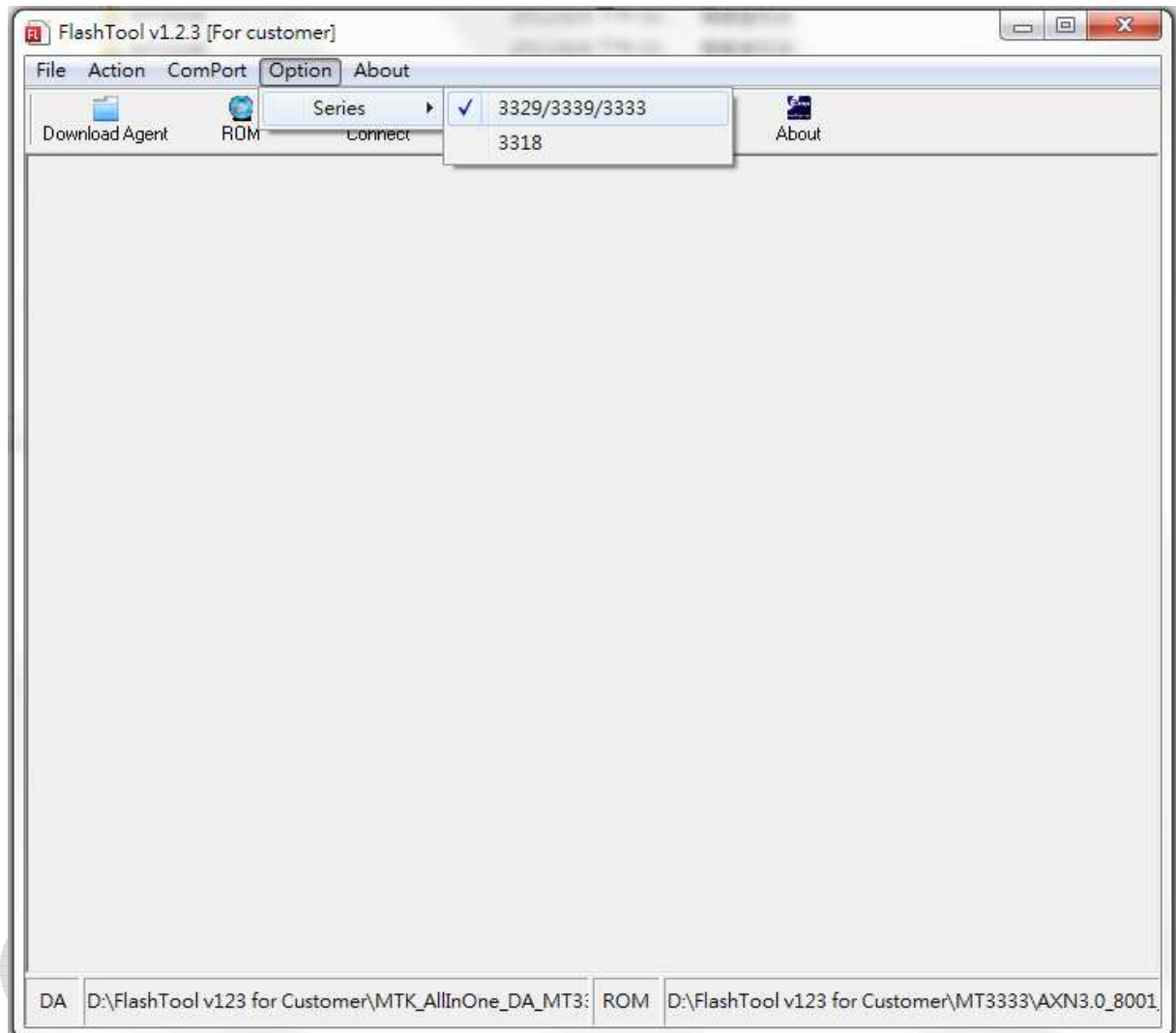


Figure 4-1

The document is the exclusive property of GlobalTop Tech Inc. and should not be distributed, reproduced, or any other format without prior permission of GlobalTop Tech Inc. Specifications subject to change without prior notice

### GlobalTop Tech Inc.

No.16 Nan-ke 9<sup>th</sup> Rd Science-based Ind. Park, Tainan 741-47, Taiwan, R.O.C.

Tel:+886-6-5051268 Fax:+886-6-5053381 <http://www.gtop-tech.com/> email: sales@gtop-tech.com

Copyright© 2013 GlobalTop Tech Inc. All right reserved.



# GlobalTop Flash Tool User Guide

Rev.A03

2. To select “ComPort”→”COM”, then choose one or above com port. “Select All” for all com port. “Cancel All” for remove all com port. As shown in below figure 4-2

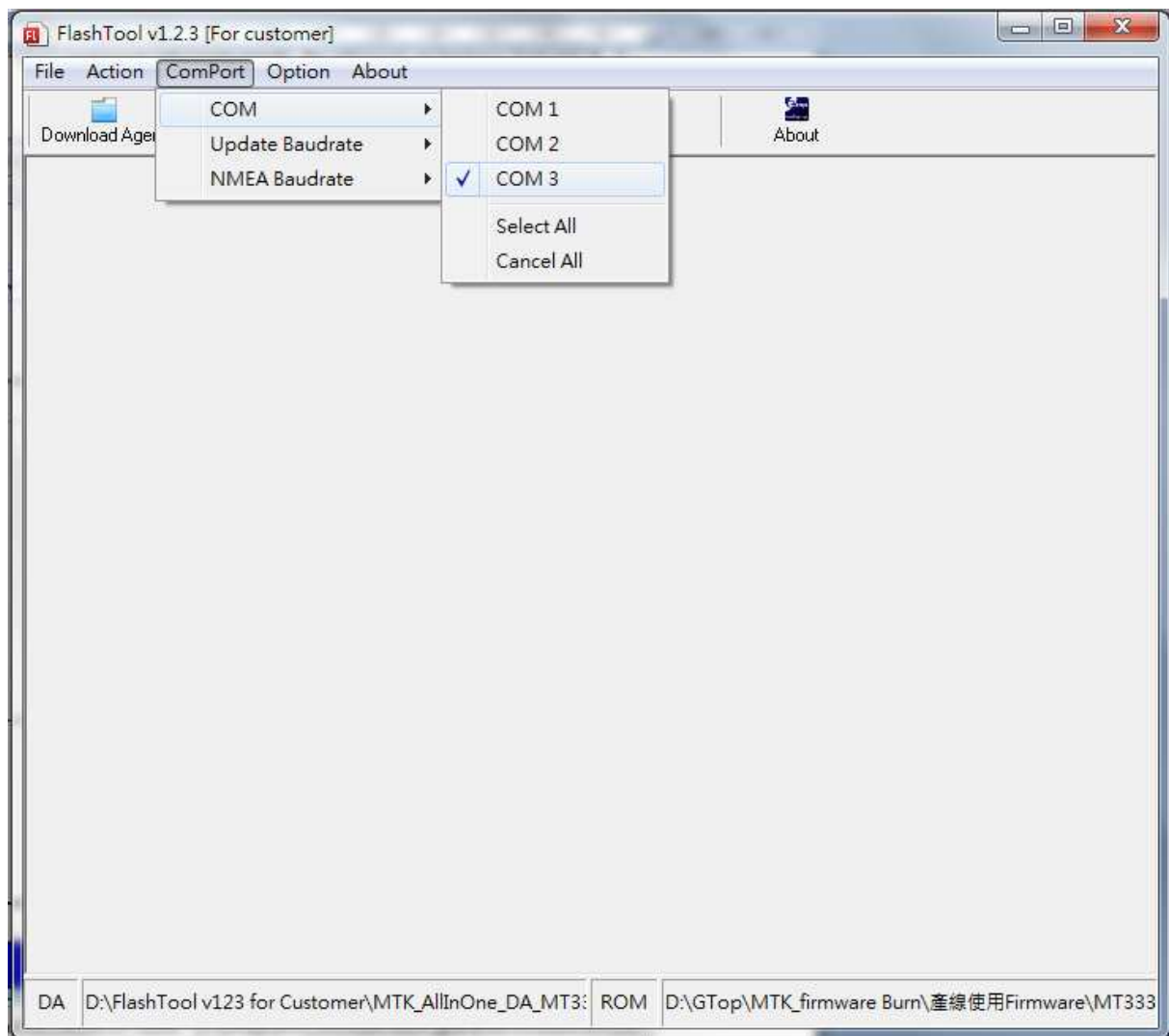


Figure 4-2

The document is the exclusive property of GlobalTop Tech Inc. and should not be distributed, reproduced, or any other format without prior permission of GlobalTop Tech Inc. Specifications subject to change without prior notice

## GlobalTop Tech Inc.

No.16 Nan-ke 9<sup>th</sup> Rd Science-based Ind. Park, Tainan 741-47, Taiwan, R.O.C.

Tel:+886-6-5051268 Fax:+886-6-5053381 <http://www.gtop-tech.com/> email: sales@gtop-tech.com

Copyright© 2013 GlobalTop Tech Inc. All right reserved.



# GlobalTop Flash Tool User Guide

Rev.A03

3. To select “ComPort”→”Update Baudrate”, then choose one for firmware burning. **115200 bps is recommended.** As shown in below figure 4-3.

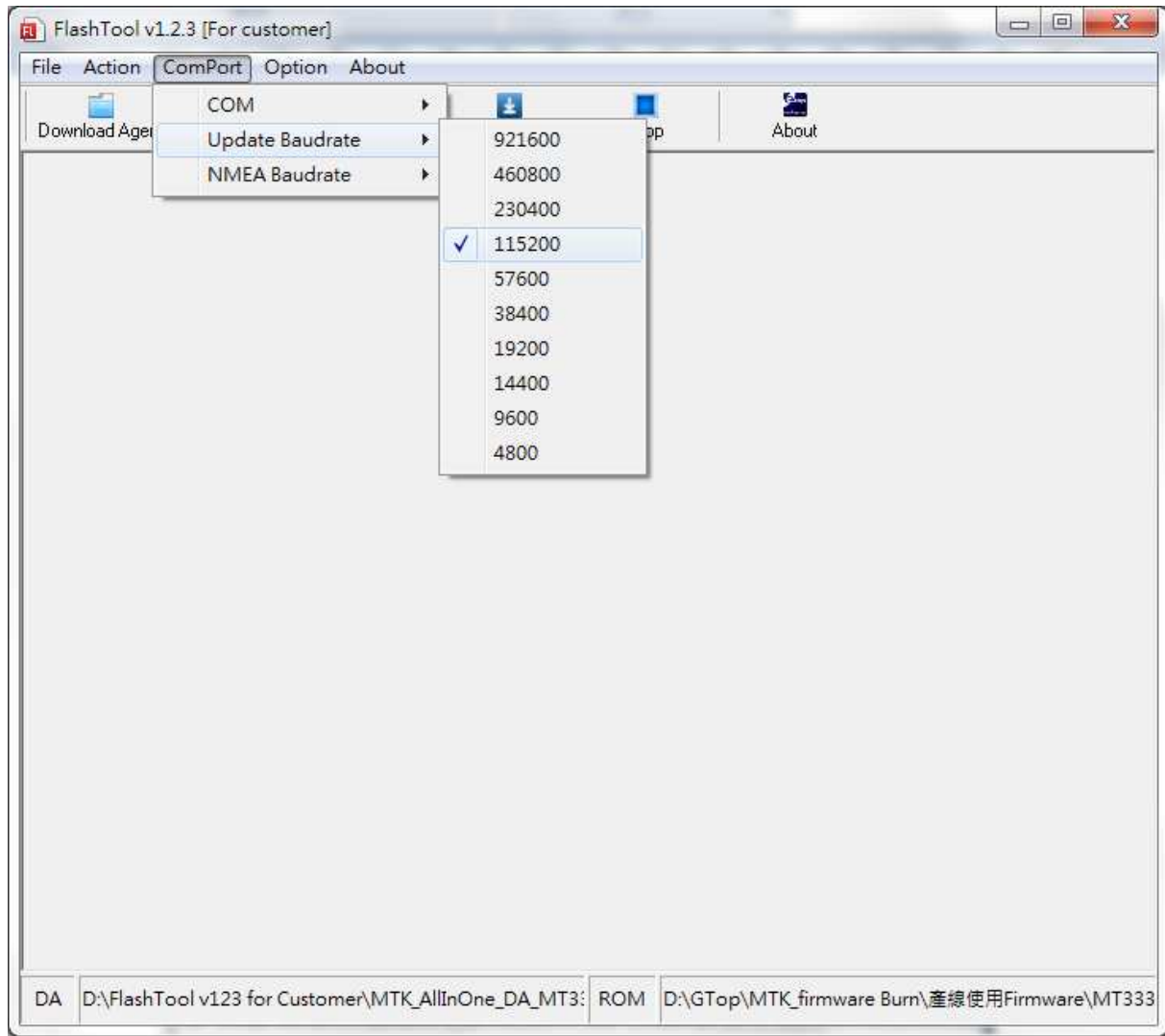


Figure 4-3

The document is the exclusive property of GlobalTop Tech Inc. and should not be distributed, reproduced, or any other format without prior permission of GlobalTop Tech Inc. Specifications subject to change without prior notice

## GlobalTop Tech Inc.

No.16 Nan-ke 9<sup>th</sup> Rd Science-based Ind. Park, Tainan 741-47, Taiwan, R.O.C.

Tel:+886-6-5051268 Fax:+886-6-5053381 <http://www.gtop-tech.com/> email: sales@gtop-tech.com

Copyright© 2013 GlobalTop Tech Inc. All right reserved.

4. To select “File” → “Download Agent” or press down “Download Agent” on page. Then choose a suitable download Agent file according to the chip model. As shown below in figure 4-4.

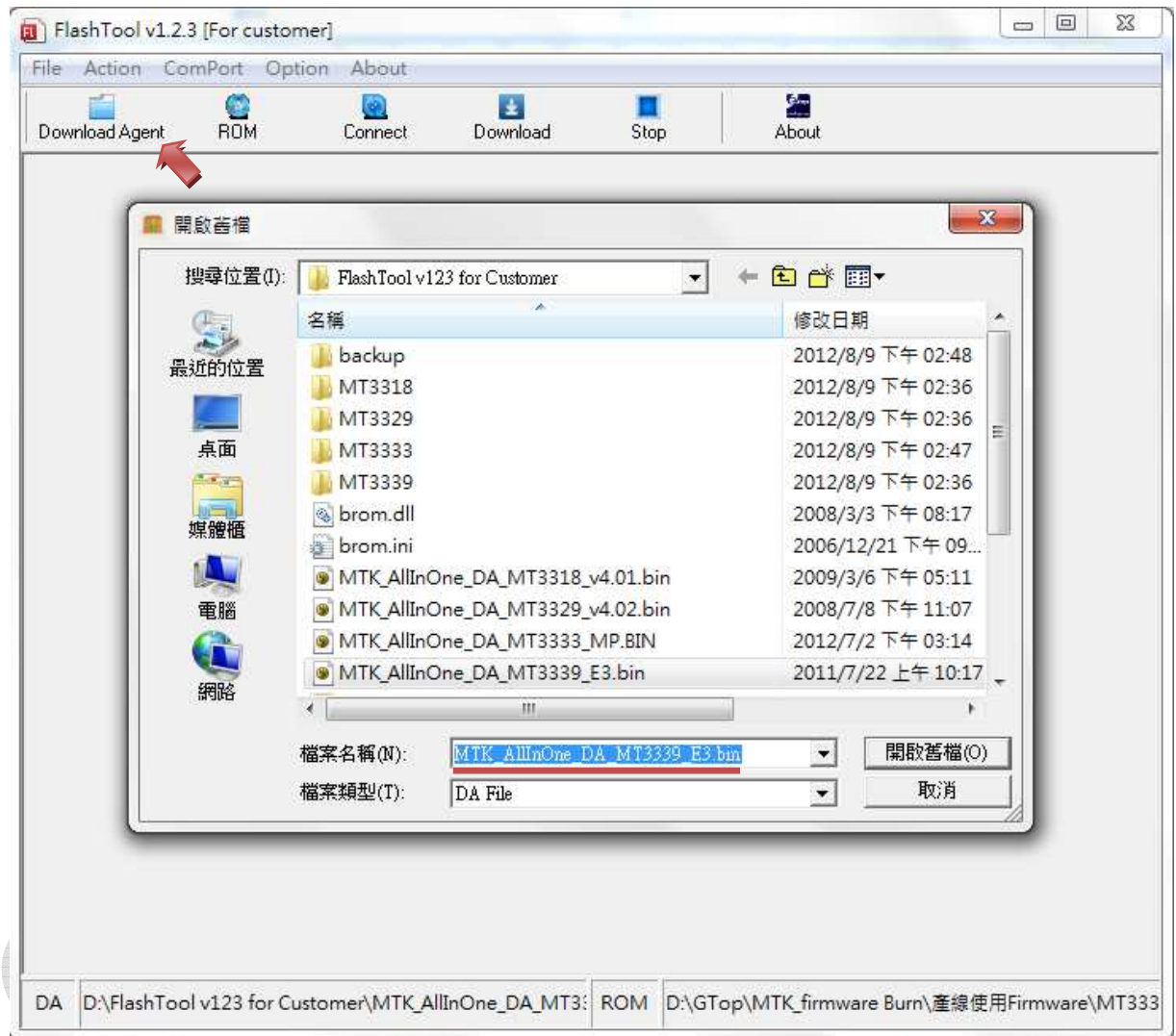


Figure 4-4

5. To select “File” → “ROM” or press down “ROM” on page. Then chooses a suitable file. As shown below in figure 4-5.

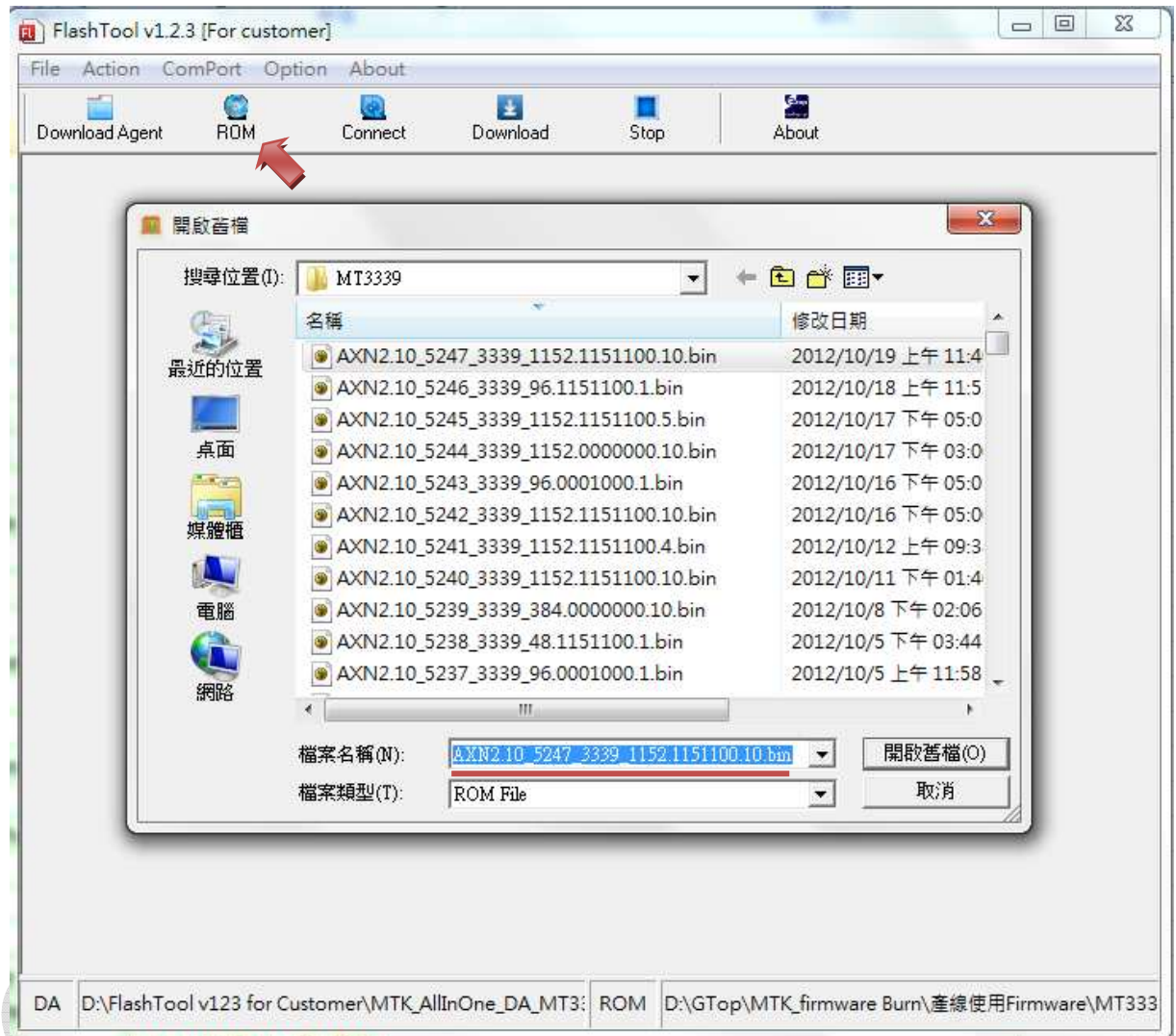


Figure 4-5



# GlobalTop Flash Tool User Guide

Rev.A03

- To select “**Action**”→”**Connect**” or press down “**Connect**” on page for Com port connecting. As shown in below figure 4-6.

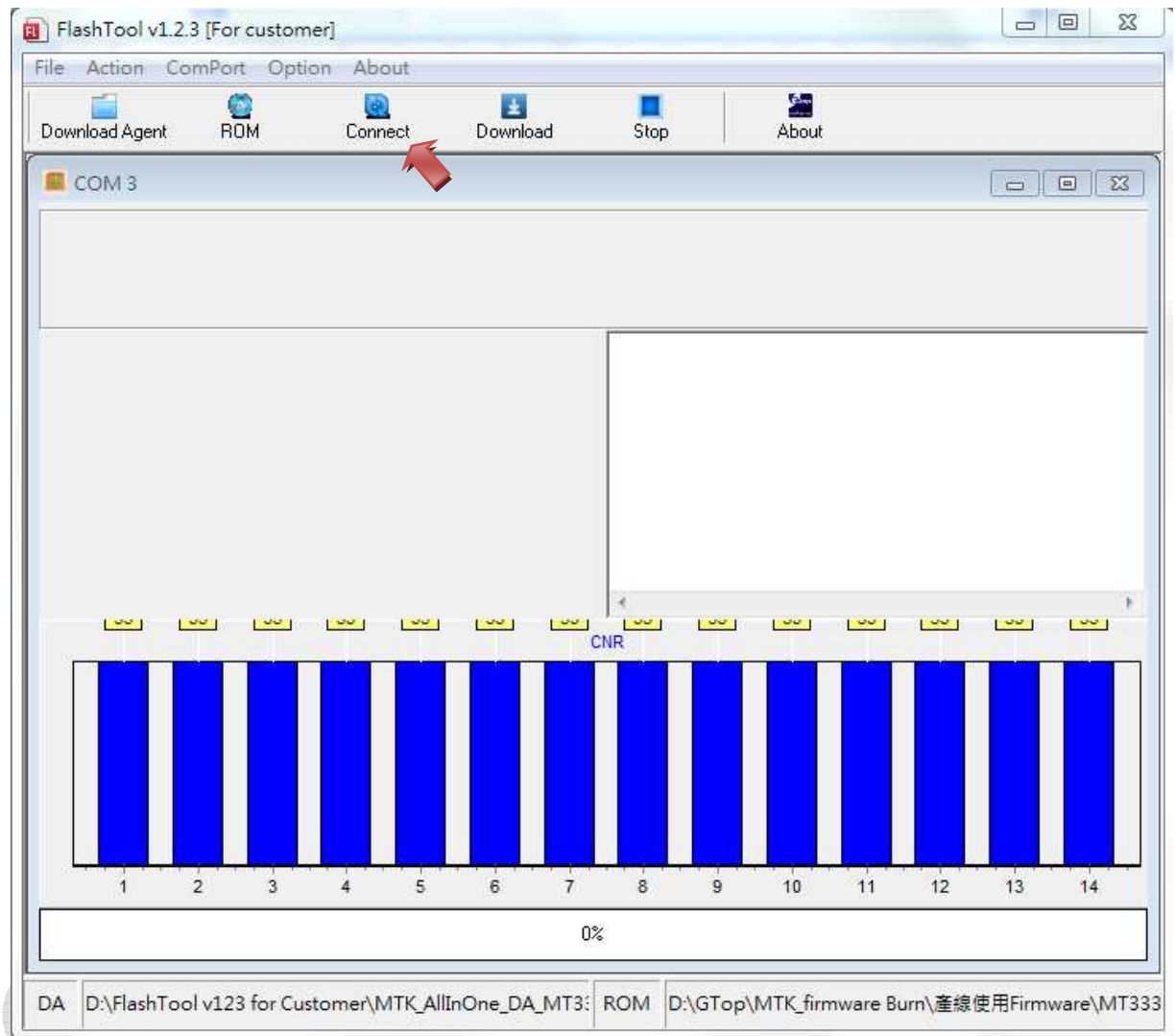


Figure 4-6

The document is the exclusive property of GlobalTop Tech Inc. and should not be distributed, reproduced, or any other format without prior permission of GlobalTop Tech Inc. Specifications subject to change without prior notice

## GlobalTop Tech Inc.

No.16 Nan-ke 9<sup>th</sup> Rd Science-based Ind. Park, Tainan 741-47, Taiwan, R.O.C.

Tel:+886-6-5051268 Fax:+886-6-5053381 <http://www.gtop-tech.com/> email: sales@gtop-tech.com

Copyright© 2013 GlobalTop Tech Inc. All right reserved.



# GlobalTop Flash Tool User Guide

Rev.A03

7. To select “Action”→”Download” or press down “Download” on page for firmware burning. As shown in below figure 4-7 and 4-8.

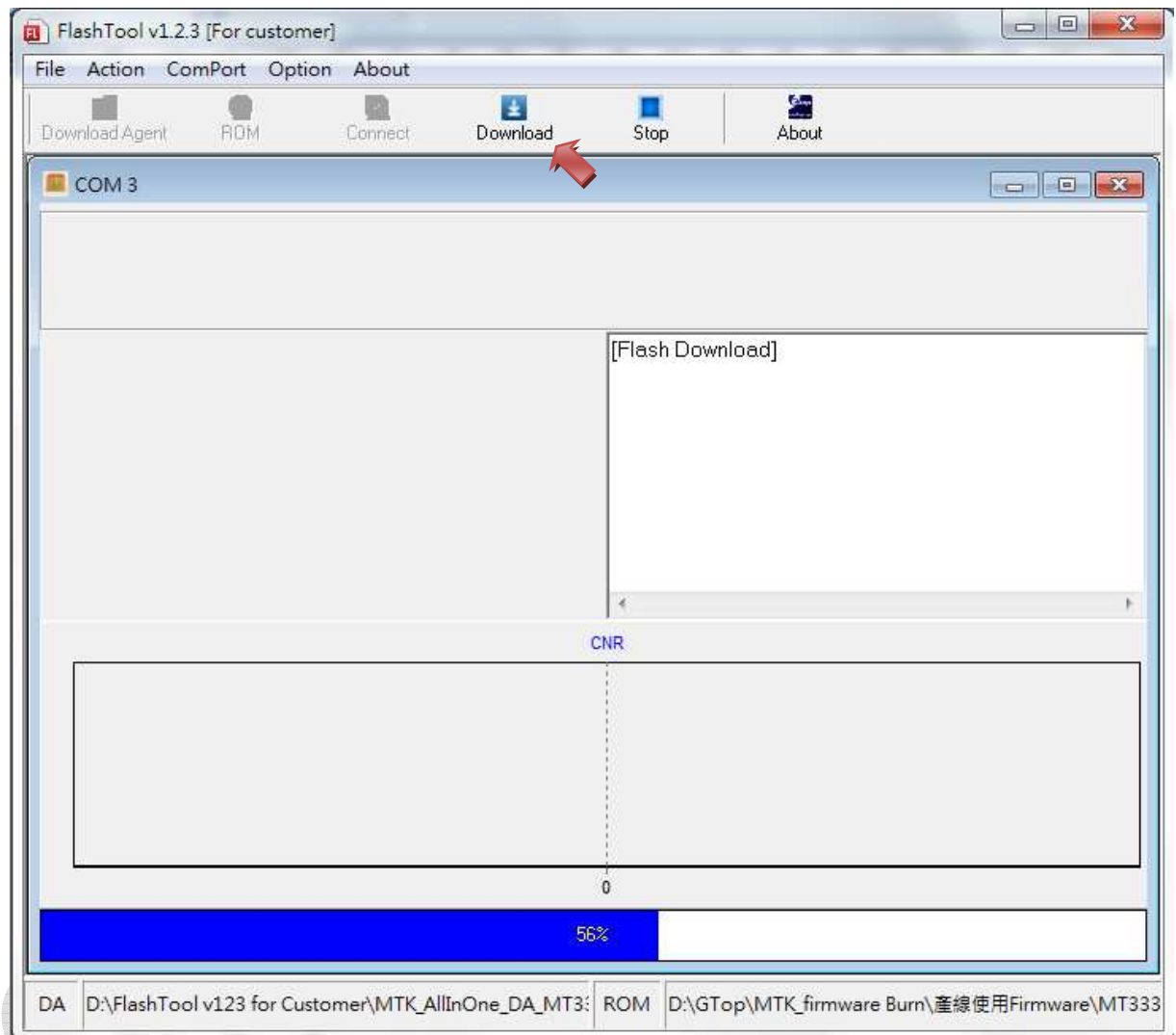


Figure 4-7

The document is the exclusive property of GlobalTop Tech Inc. and should not be distributed, reproduced, or any other format without prior permission of GlobalTop Tech Inc. Specifications subject to change without prior notice

## GlobalTop Tech Inc.

No.16 Nan-ke 9<sup>th</sup> Rd Science-based Ind. Park, Tainan 741-47, Taiwan, R.O.C.

Tel:+886-6-5051268 Fax:+886-6-5053381 <http://www.gtop-tech.com/> email: sales@gtop-tech.com

Copyright© 2013 GlobalTop Tech Inc. All right reserved.



# GlobalTop Flash Tool User Guide

Rev.A03

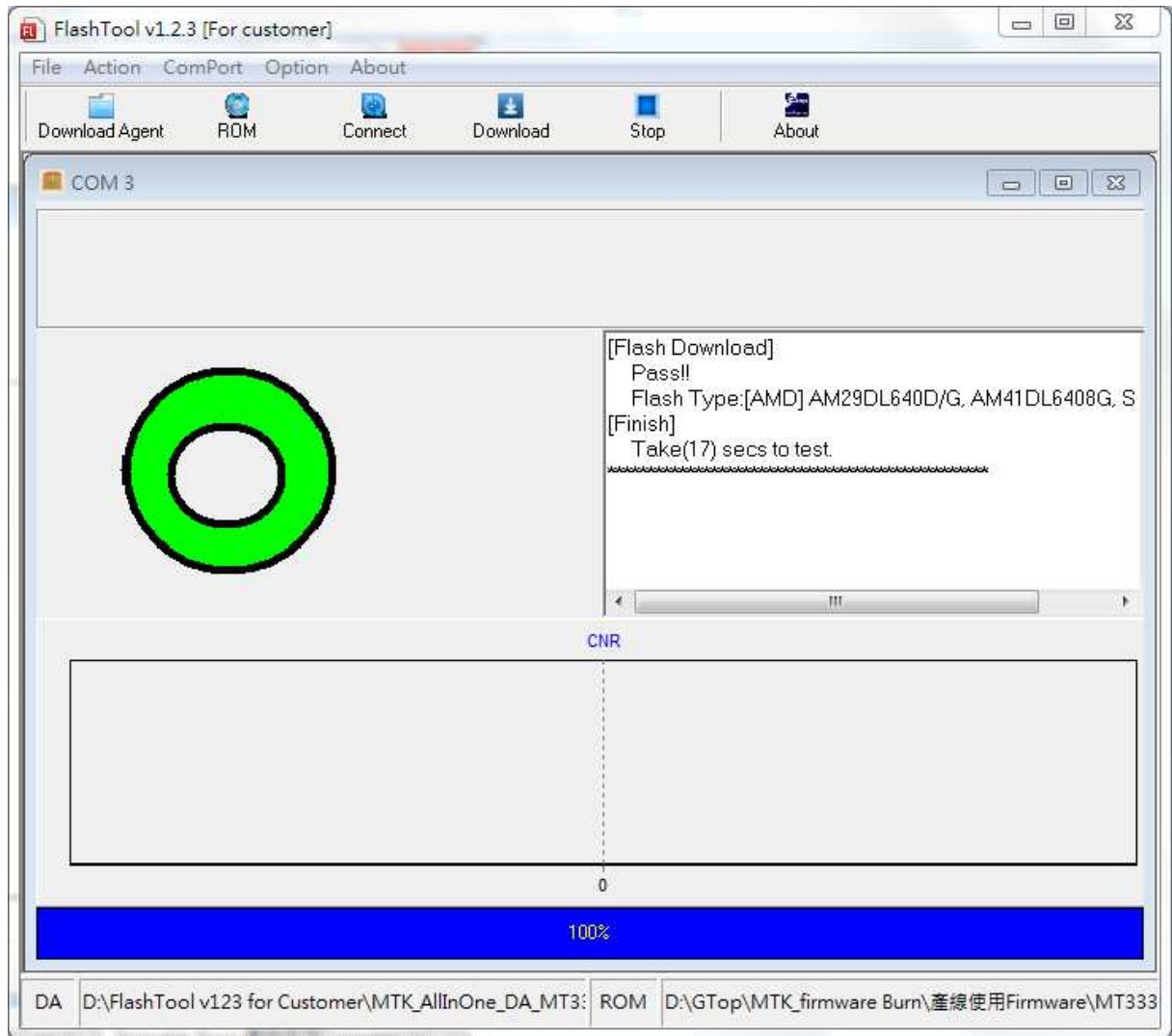


Figure 4-8

The document is the exclusive property of GlobalTop Tech Inc. and should not be distributed, reproduced, or any other format without prior permission of GlobalTop Tech Inc. Specifications subject to change without prior notice

## GlobalTop Tech Inc.

No.16 Nan-ke 9<sup>th</sup> Rd Science-based Ind. Park, Tainan 741-47, Taiwan, R.O.C.

Tel:+886-6-5051268 Fax:+886-6-5053381 <http://www.gtop-tech.com/> email: sales@gtop-tech.com

Copyright© 2013 GlobalTop Tech Inc. All right reserved.

8. To select “Action”→”Stop” or press down “Stop” on page to cease the action. As shown in below figure 4-9.

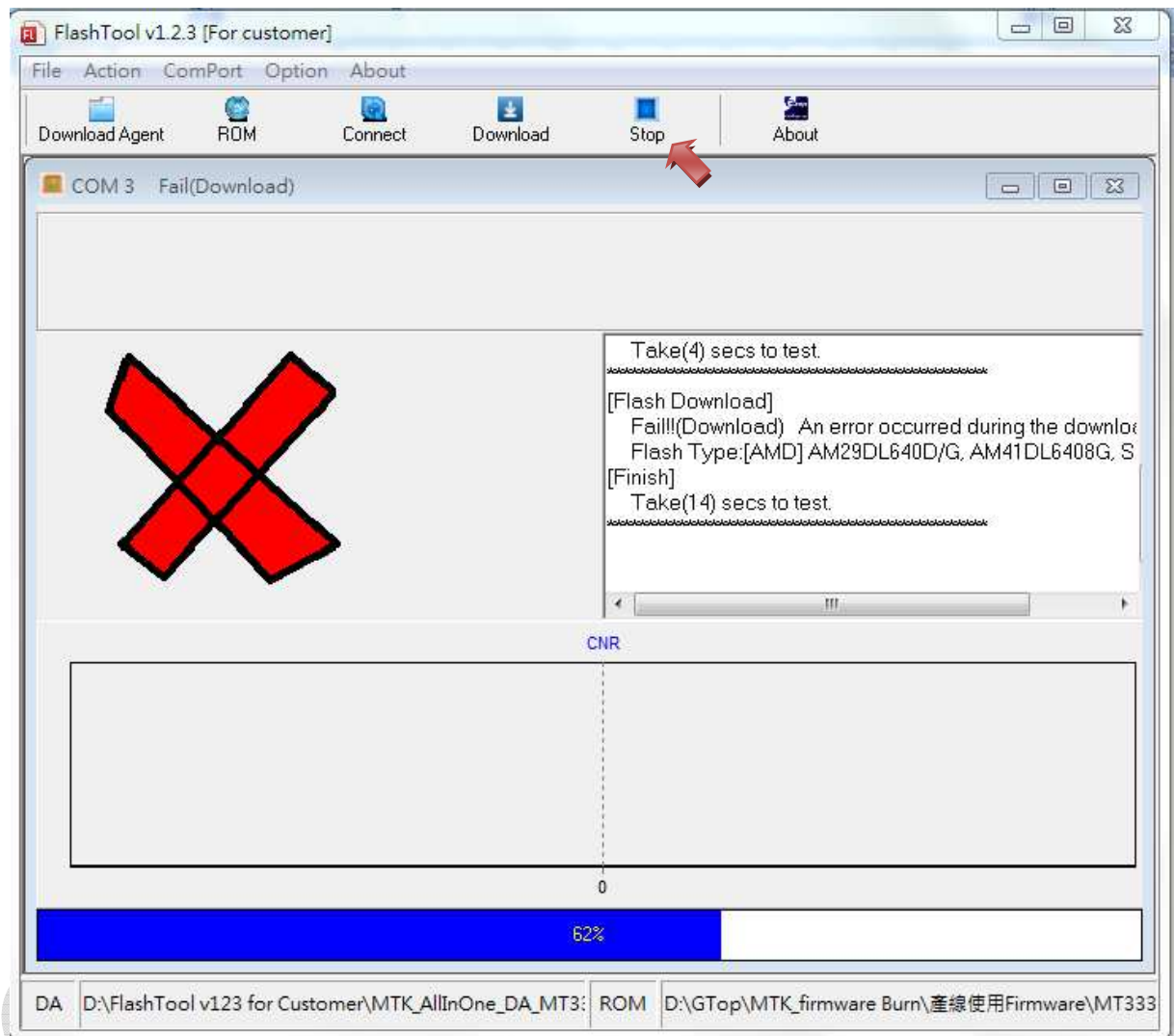


Figure 4-9



# GlobalTop Flash Tool User Guide

Rev.A03

9. To select “**About**” for display corporation and software information. As shown in below figure 4-10.



Figure 4-10

The document is the exclusive property of GlobalTop Tech Inc. and should not be distributed, reproduced, or any other format without prior permission of GlobalTop Tech Inc. Specifications subject to change without prior notice

## GlobalTop Tech Inc.

No.16 Nan-ke 9<sup>th</sup> Rd Science-based Ind. Park, Tainan 741-47, Taiwan, R.O.C.

Tel:+886-6-5051268 Fax:+886-6-5053381 <http://www.gtop-tech.com/> email: sales@gtop-tech.com

Copyright© 2013 GlobalTop Tech Inc. All right reserved.



# GlobalTop Flash Tool User Guide

Rev.A03

## 5. Note

1. Before firmware was burned, according to chip model to choose MT3329 、 MT3339 、 MT3333 or MT3318. Then choose relative download agent files.
2. Support 4 types of chip model. MTK\_AllInOne\_DA\_MT3318\_v4.01 for MT3318 chip. MTK\_AllInOne\_DA\_MT3329\_v4.02 for MT3329 chip. MTK\_AllInOne\_DA\_MT3339\_E3 for MT3339 chip. MTK\_AllInOne\_DA\_MT3333\_MP.BIN for MT3333 chip.
3. If the customer only have a single module (not a EV Kit), it is strongly recommends that customers refer to the appendix first, and then start to create a complete circuit for firmware download.
4. Troubleshooting guide: It is recommend to power the device off and back on if reflashing fails.

The document is the exclusive property of GlobalTop Tech Inc. and should not be distributed, reproduced, or any other format without prior permission of GlobalTop Tech Inc. Specifications subject to change without prior notice

---

### GlobalTop Tech Inc.

No.16 Nan-ke 9<sup>th</sup> Rd Science-based Ind. Park, Tainan 741-47, Taiwan, R.O.C.

Tel:+886-6-5051268 Fax:+886-6-5053381 <http://www.gtop-tech.com/> email: sales@gtop-tech.com

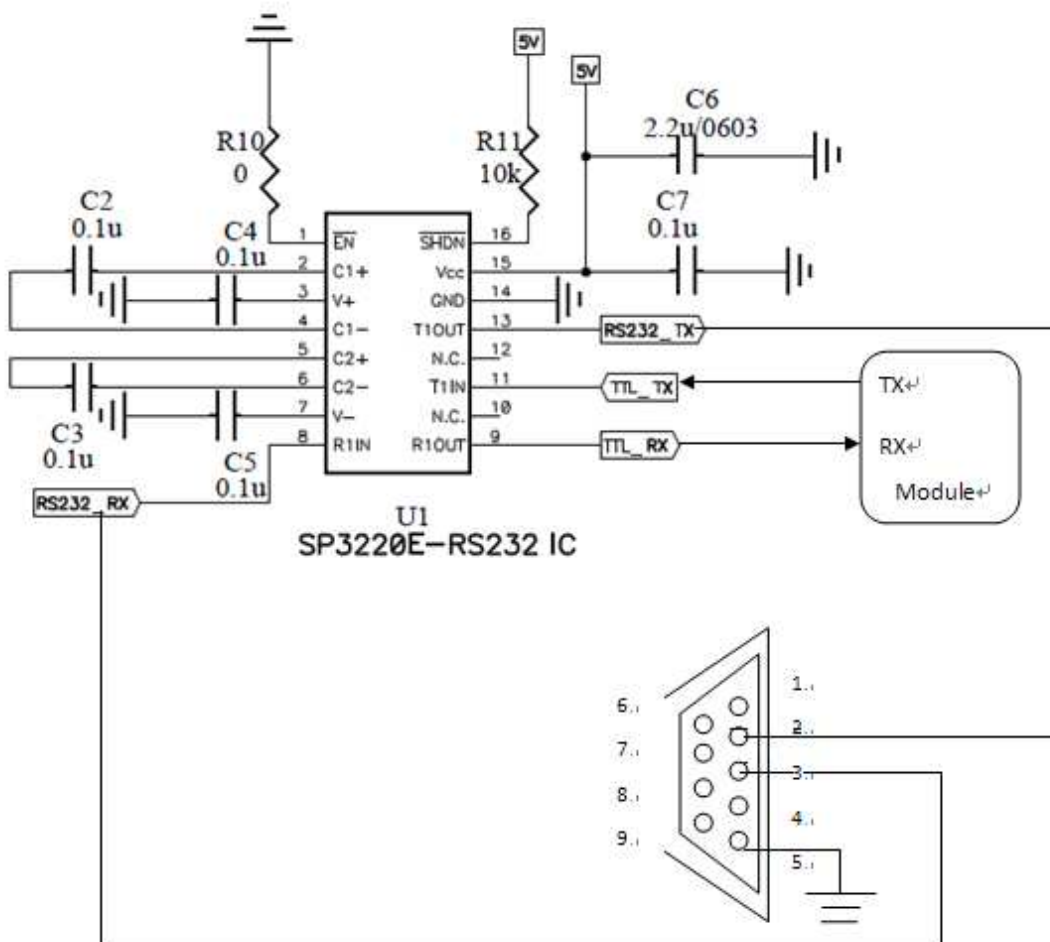
Copyright© 2013 GlobalTop Tech Inc. All right reserved.

## 6. Appendix

### 1. UART to RS232 interface

Typically RS232 or USB interface is required to connect GlobalTop GPS module directly to the PC for communication. Majority of GlobalTop modules uses a set of communication port in TTL-logic (and a newer ones have support for direct USB connection) and a bridge IC is needed for conversion to RS232 level.

Please note the supported baud-rates are: 4800, 9600, 14400, 19200, 38400, 57600, and 115200 bps. And refer to the reference circuits below for such conversion: (using SP3220 IC as an example)



The document is the exclusive property of GlobalTop Tech Inc. and should not be distributed, reproduced, or any other format without prior permission of GlobalTop Tech Inc. Specifications subject to change without prior notice

### GlobalTop Tech Inc.

No.16 Nan-ke 9<sup>th</sup> Rd Science-based Ind. Park, Tainan 741-47, Taiwan, R.O.C.

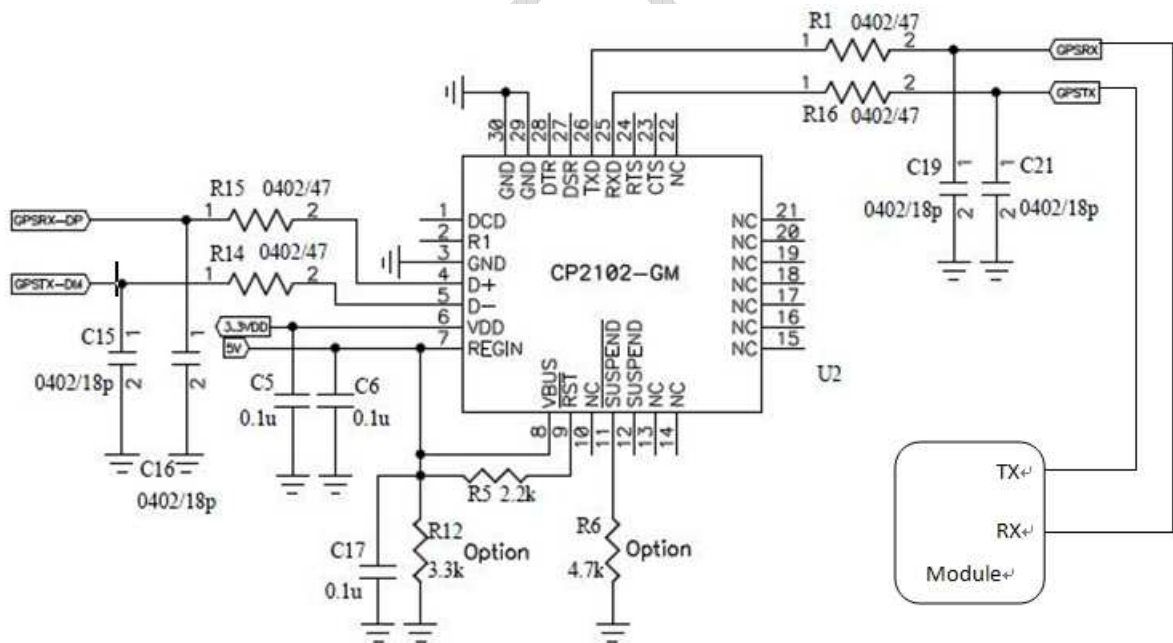
Tel:+886-6-5051268 Fax:+886-6-5053381 <http://www.gtop-tech.com/> email: sales@gtop-tech.com

Copyright© 2013 GlobalTop Tech Inc. All right reserved.

## 2. UART to USB Interface

If the GlobalTop module you have chosen does not contain USB interface or if you do not wish to use the integrated USB interface (perhaps due to driver or other concerns), it is possible to connect it to an external USB IC and further enhance the transferring speed by using a one capable of USB 2.0 interface. Once the driver for the chosen USB Bridge IC is successfully installed for Windows or other operating system, the USB Bridge IC will be automatically recognized as a com port within the operating system.

Note: proper driver must be installed or else the operating system will not be able to recognize the device! Please refer to the reference circuits below for such conversion: (using CP2102 IC as an example)



(The Pin29 and Pin30 are the bottom ground pads which not be listed in IC data sheet, customer could create the decal omitted this 2 pin)