

SC

sagemcommunications

Getting started with Hilo Development Kit
Sagem M2MCommunications : Freedom of speech for smart machines

Presentation

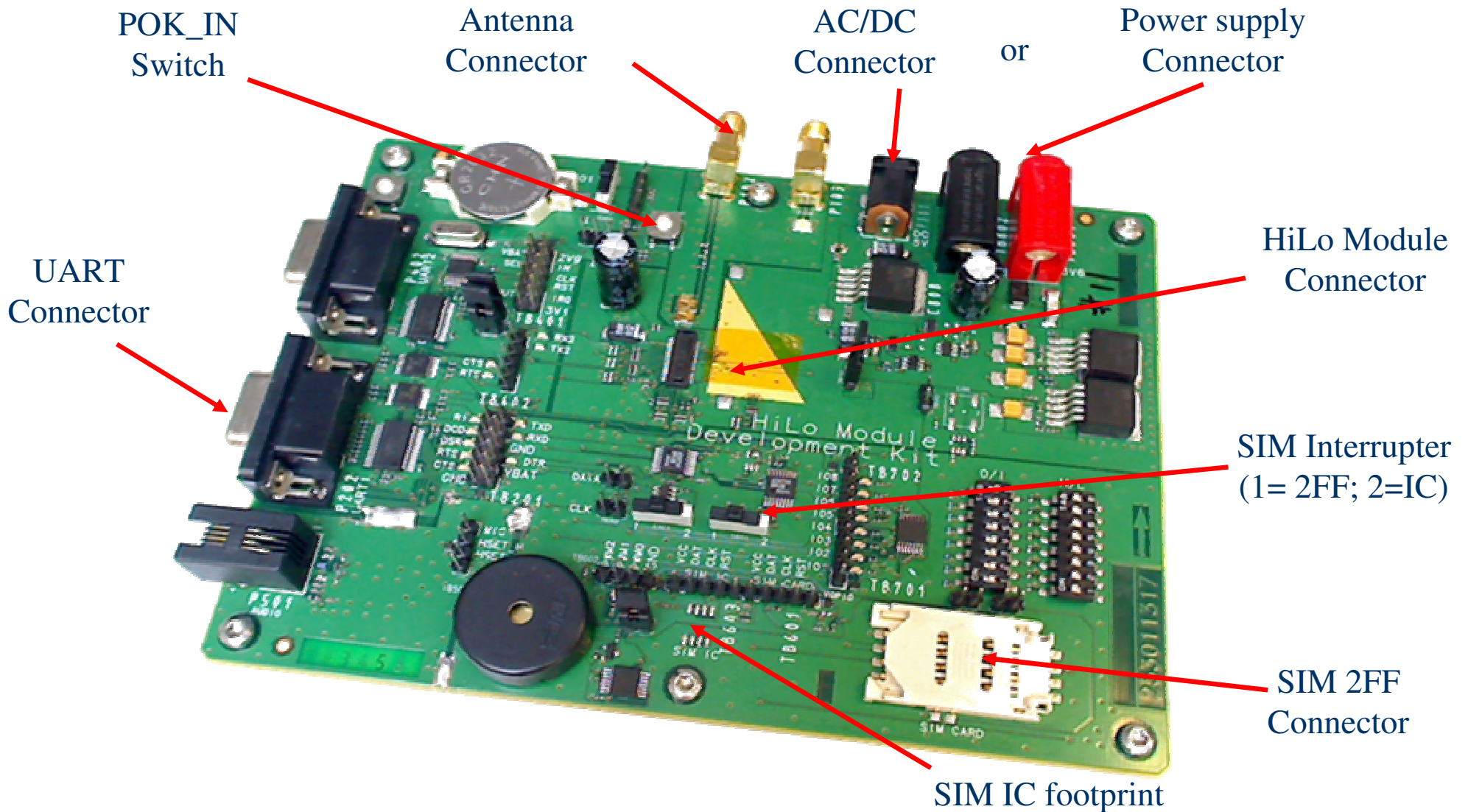
▶ Object

- **The object of this presentation is to describes the procedure for testing the HiLo module in operating mode on a Development kit**

▶ Minimum materials required

- **GSM Antenna with SMA connector (supplied in the dev kit)**
- **Laboratory Power Supply or AC/DC main adapter (supplied in the dev kit)**
- **Hilo Module (supplied in the dev kit)**
- **Sim Card**
- **RS-232 data cable**

■ Main functions location overview



■ Getting started synopsis

1. Connect :

- 1. Hilo module to the Board**
- 2. Antenna on SMA connector**
- 3. RS-232 data cable between PC and UART connector**

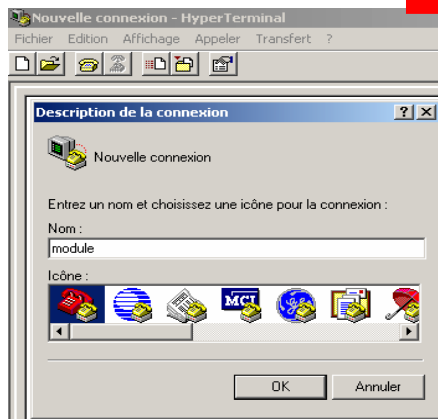
2. Insert SIM card and set the SIM interrupter on position 1 if it is a 2FF SIM card (position 2 if SMT SIM)

3. Connect and switch ON Power Supply or AC/DC Main Adapter

4. Push the POK_IN switch for a few seconds (10 s)

Communication with Module HyperTerminal

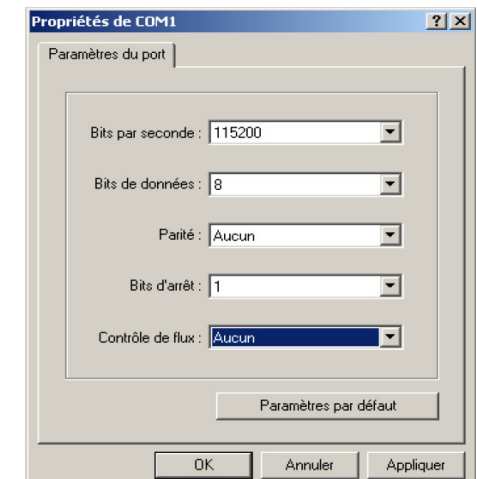
-Launch Hyperteminal
-Start new connexion



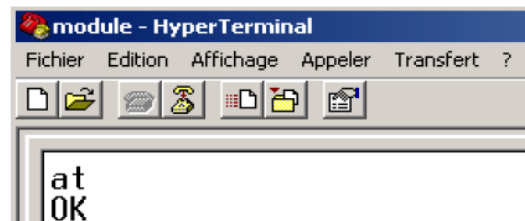
-Select the communication port



-Set the port parameters



module must answer:
OK



-Send AT Command

Need more help?



sagemcommunications

SAGEM M2M Services : integrator pack

EVALUATION TOOLS

- Demo kit
- Working samples
- Dummy units
- Antenna & cables
- Documentation
- SMT SIM cards could be provided (to be discussed)



DEVELOPERS tools

- TCP/IP Developers package
- MMS Developers package
- Audio Settings tool
- SW Development Kit (Linux)

TECHNICAL SUPPORT

- Complete Technical documentation
- Dedicated technical contact for any question
- Online technical support forum (OTRS)
- Schematics / layout / prototypes reviews
- Industrialization support
- Qualification support
- Network carriers approvals support

CERTIFICATION SUPPORT

CETECOM™



SAGEM M2M Services : industrial support pack

INDUSTRIAL DESIGN

- Development centers in France, Germany, Austria, Tunisia, China and Canada.
- Product Engineering: Terminal & System, PCB, Software and Mechanics and Design finishing.
- Platform Engineering, and products range re-engineering based on common platform.

TESTS & CERTIFICATION

- Lab tests
- Field tests



MANUFACTURING

- Factories in France, Germany, Tunisia, China, Brazil : 49 SMT lines.
- Handling from some k unit/year up to some M unit/year
- Qualification ISO 9001 V2000 , ISO 14001 & OHSAS 18001 for all factories. Qualification ISO TS 16949 for 1 factory in France.

LOGISTICS

- Deliveries worldwide
- After Sales support
- Customer Services

Thank you for your attention!



sagemcommunications