

SimplyRFiD Wave Quick Start Guide

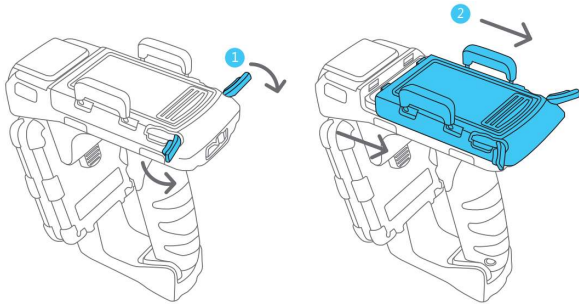
This guide provides simple steps to let you quickly start using your new Wave RFID handheld reader.

Please begin by checking the contents of this box. It should include:

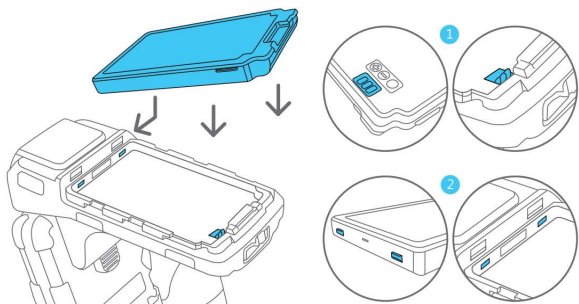
- CS108 RFID Sled Handheld Reader
- CS108B Battery
- USB Type C to USB Type A cable
- This guide

Next, install the battery in your handheld:

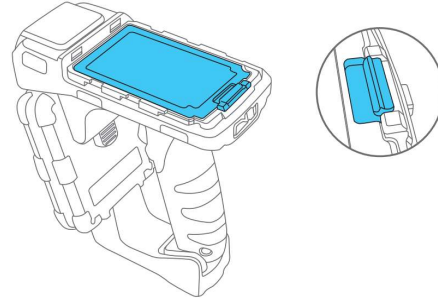
1. To access the battery compartment, remove the battery cover:



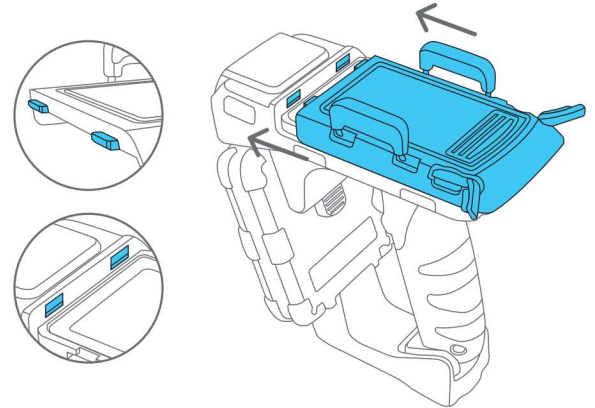
2. To insert the battery pack into the battery compartment:



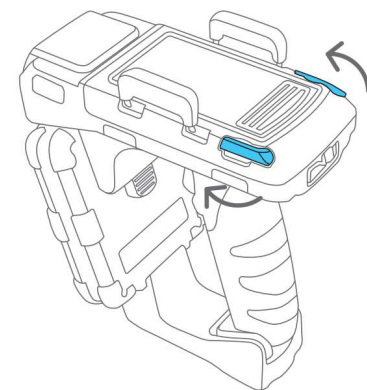
3. The battery should be fully secured by the battery spring-loaded clip as shown.



4. Replace the battery cover. Make sure that the locking tabs at the front of the battery cover are fully inserted into the slots.



5. Fully rotate to close the metal latches to secure the battery cover in position.



Once the battery is installed, it is important to fully charge the unit before using it the first time.

It takes approximately 4 hours to be fully charged. Connect the supplied USB Type C plug to CS108 and connect the Type A plug into the included USB charger. The RED charging LED will light. Charge the unit until the red light goes out.

Now it's time to configure your iPhone

1. First, scan this QR code using your iPhone to download the Wave app:



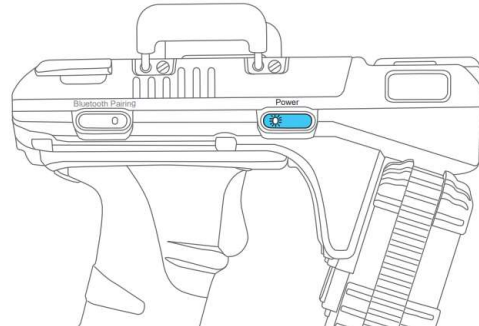
Or you can search "SimplyRFiD" in the app store to locate the Wave Enterprise app.

2. Once the Wave app is installed, be sure to enable Bluetooth by opening the Settings app and switching Bluetooth to On.



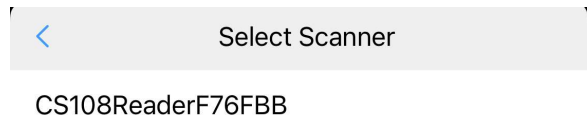
Note: Do not use the Bluetooth pairing screen to connect the CS108 to your iPhone, that step comes later.

3. To power on CS108, press and hold the power button for 3 seconds and then release, after that the GREEN LED will light up continuously.



Finally, configure the Wave app

Tap on the Wave icon on your iPhone to launch the app. The first time the app runs, you will be prompted to connect to your scanner. If the scanner is powered on it will show up in the list of devices. Identify your handheld by comparing the serial number of your device to the number displayed on the screen.



On the next screen you'll be prompted to check your email for a QR code. You'll need to use the CS108 handheld to scan this code. Once the code is scanned the handheld will be ready to use!



Setup Guide

1. Check your email for the QR Code
2. Scan the QR Code using the CS108 Reader