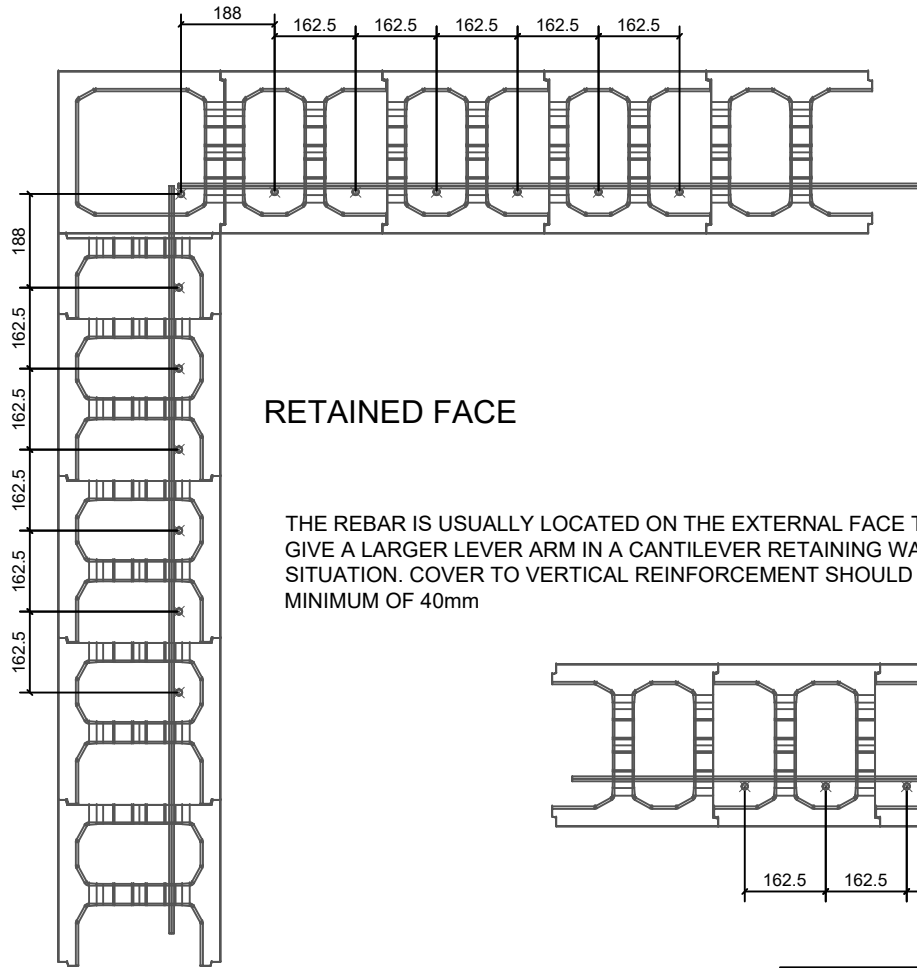


The corner pieces have a notch cut out of the side wall on site, as shown here. This is to allow the horizontal reinforcement to continue around the corner and continuity of concrete infill.

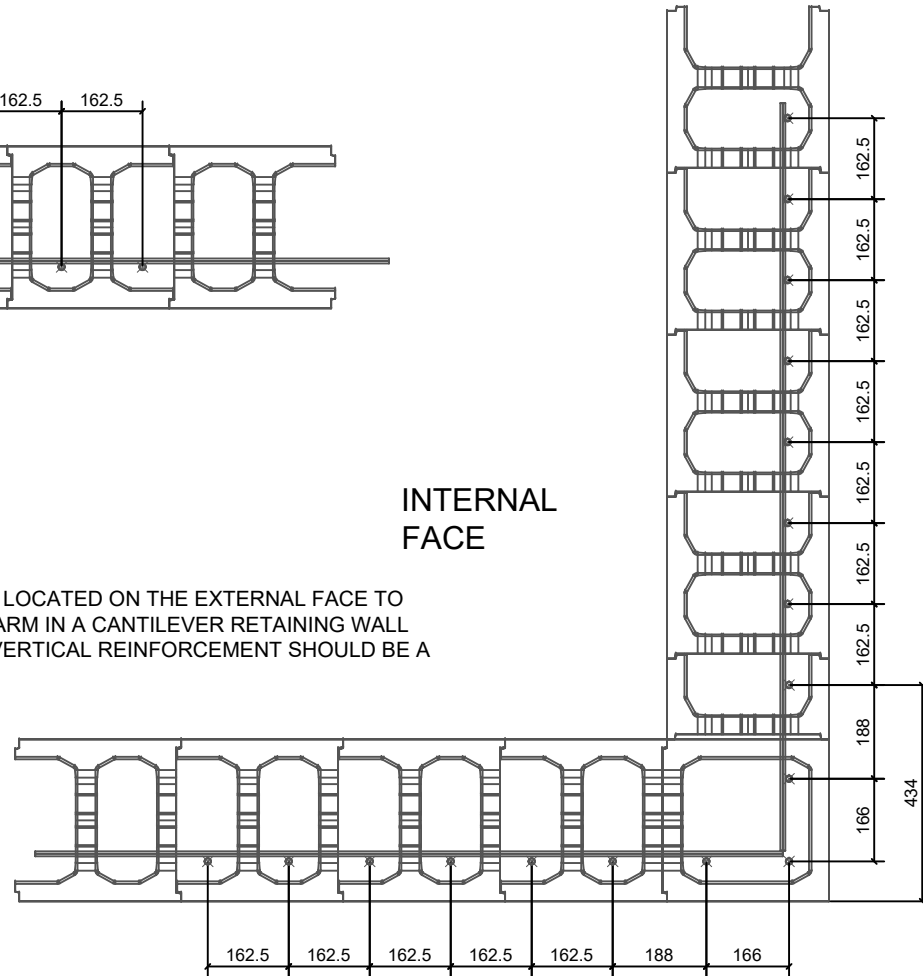
INTERNAL FACE



RETAINED FACE

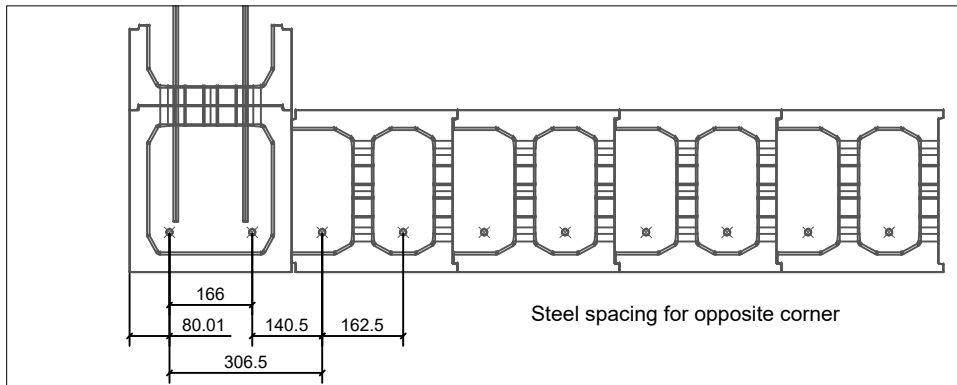
THE REBAR IS USUALLY LOCATED ON THE EXTERNAL FACE TO GIVE A LARGER LEVER ARM IN A CANTILEVER RETAINING WALL SITUATION. COVER TO VERTICAL REINFORCEMENT SHOULD BE A MINIMUM OF 40mm

INTERNAL FACE



RETAINED FACE

The corner pieces have a notch cut out of the side wall on site, as shown here. This is to allow the horizontal reinforcement to continue around the corner and continuity of concrete infill.



Project 325mm Stepoc - Standard Details		
Title REINFORCEMENT DETAILING - CORNER		
Drawing Number ST - 325 - REOCRN	Rev H	
Drawn By TJF	Date 22.05.2019	Scale NTS
Approved By	Date	Drawing is supplied by Anderton Concrete Ltd and must not be reproduced or shown to others without prior written consent.



Units 1 & 2, Cosgrove Business Park
Soot Hill, Anderton
Northwich
Cheshire
CW9 6AA
Tel: 0333 234 3434
www.andertonconcrete.co.uk
Anderton Concrete Ltd. 2019 ©