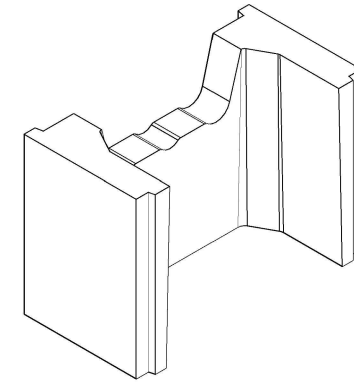
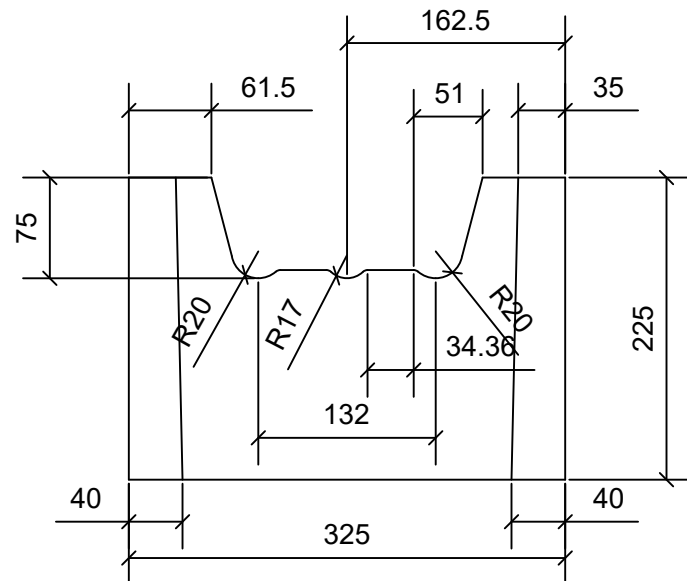



HALF LENGTH BLOCK - Z4



HALF LENGTH BLOCK - Z4 (ISO VIEW)



CUT OUT DETAIL - Z4

Project 325mm Stepoc - Standard Details		
Title HALF LENGTH UNIT UNIT (Z4)		
Drawing Number ST - 325 - Z4		Rev B
Drawn By TJF	Date 22.05.2019	Scale NTS
Approved By	Date	Units 1 & 2, Cosgrove Business Park Soot Hill, Anderton Northwich Cheshire CW9 6AA Tel: 0333 234 3434 www.andertonconcrete.co.uk Anderton Concrete Ltd. 2019 ©
Drawing is supplied by Anderton Concrete Ltd and must not be reproduced or shown to others without prior written consent.		