

LIGHT DUTY H-FRAME EASEL

BLICK art materials

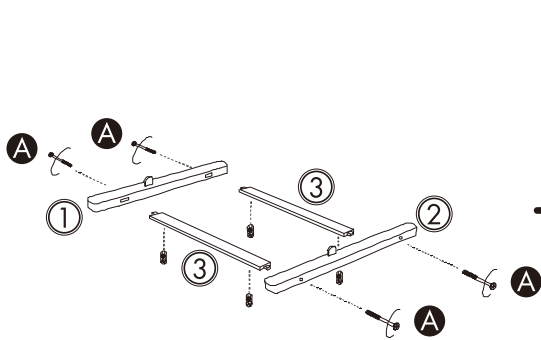
assembly instructions
For model 51753-1020
All necessary tools included.

HARDWARE

A		4 pcs	C		1 pc	E		1 pc	G		2 pcs	I		1 pc
B		4 pcs	D		1 pc	F		2 pcs	H		2 pcs	J		1 pc

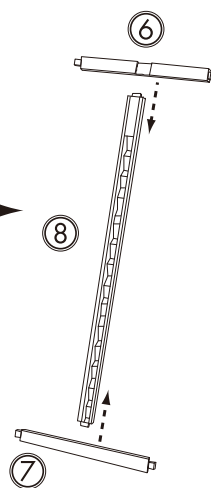
STEP 1

Assemble the base



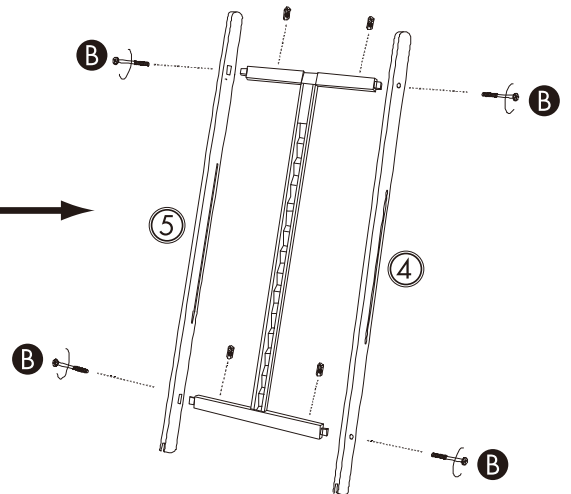
STEP 2

Attach the ratchet column to crossbars



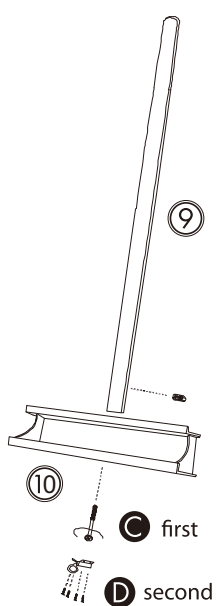
STEP 3

Attach sides to the crossbars



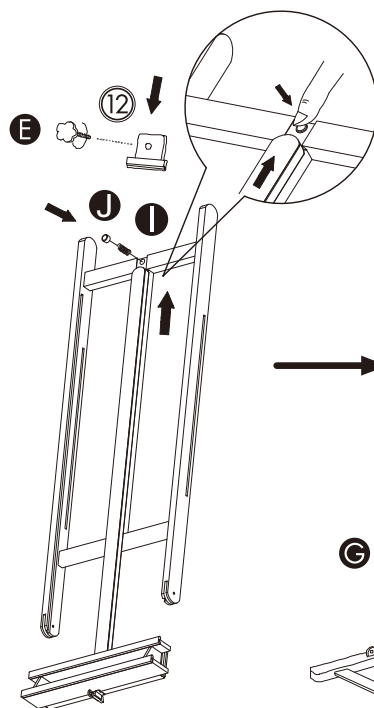
STEP 4

Attach tray to the mast



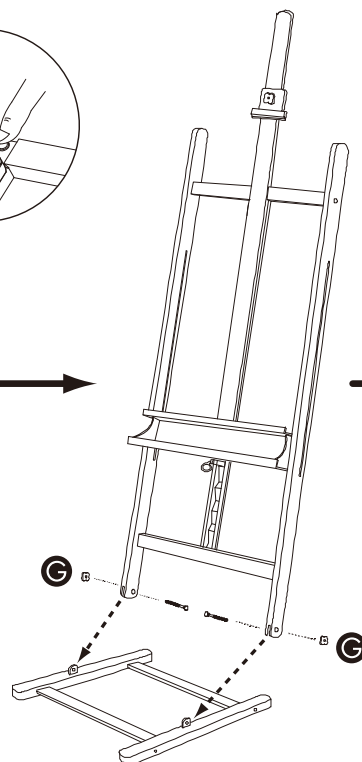
STEP 5

Slide mast into crossbar channel and attach top canvas holder



STEP 6

Attach frame to base



STEP 7

Attach support legs to base and sides

