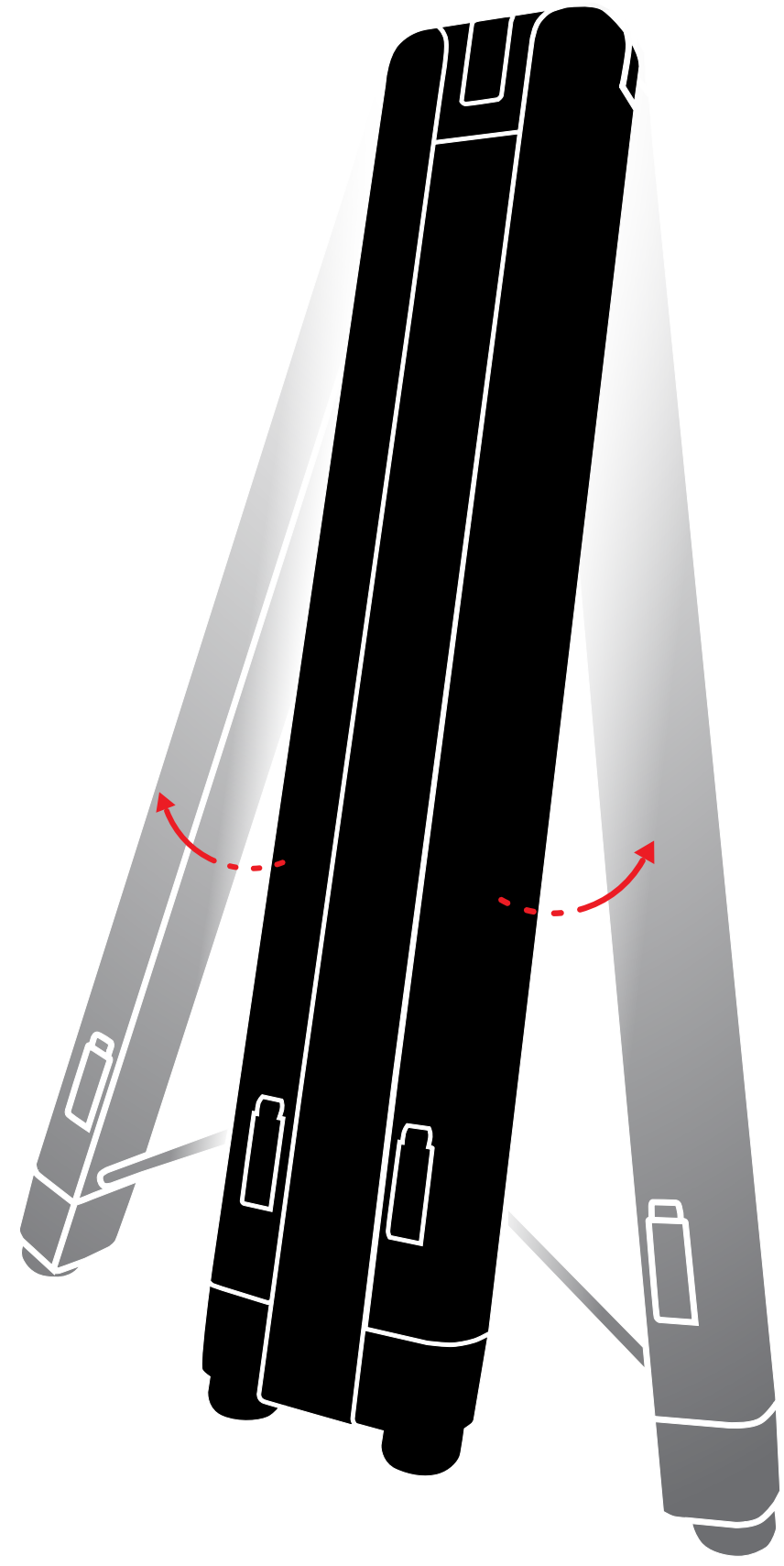


QUICK START

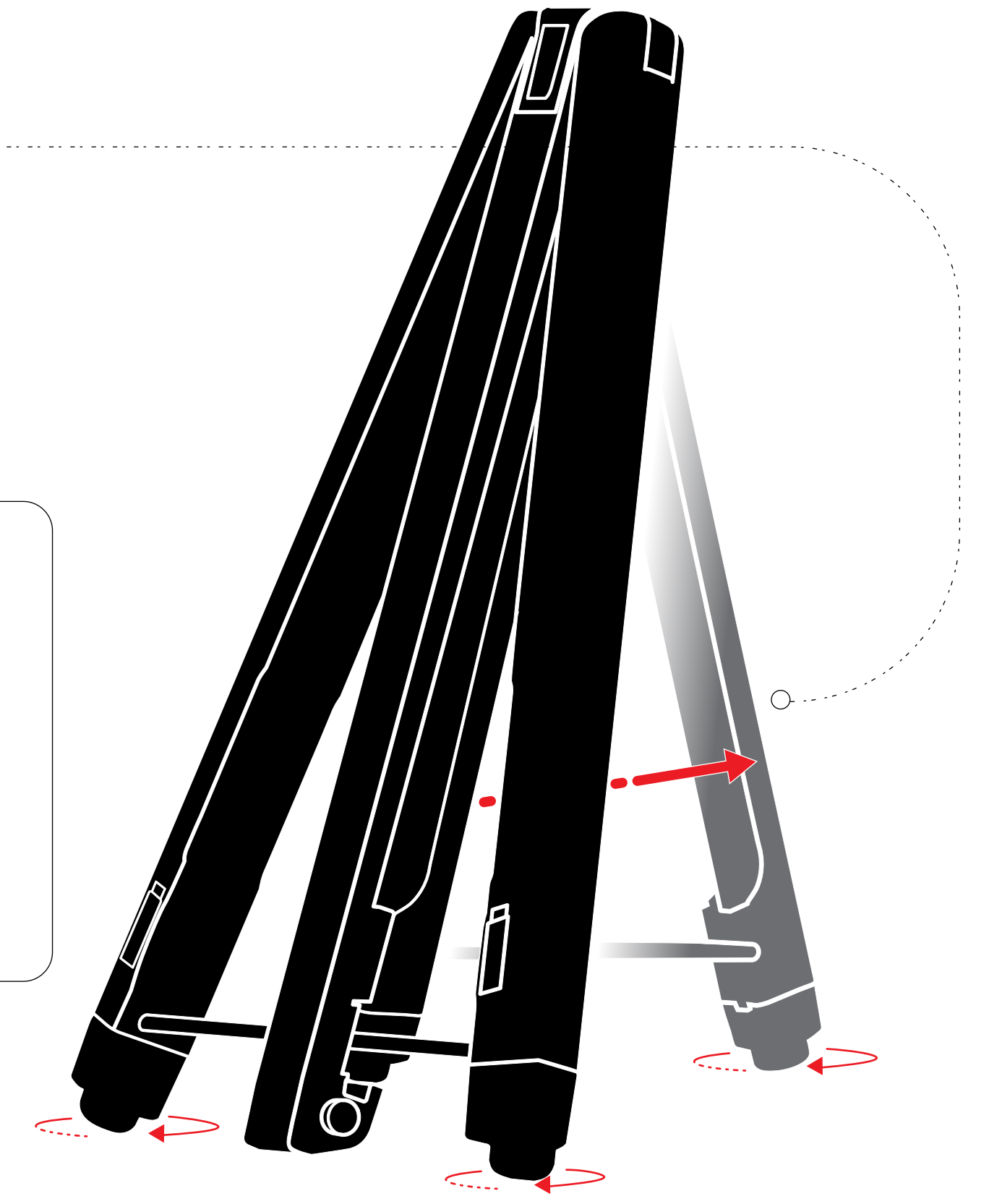
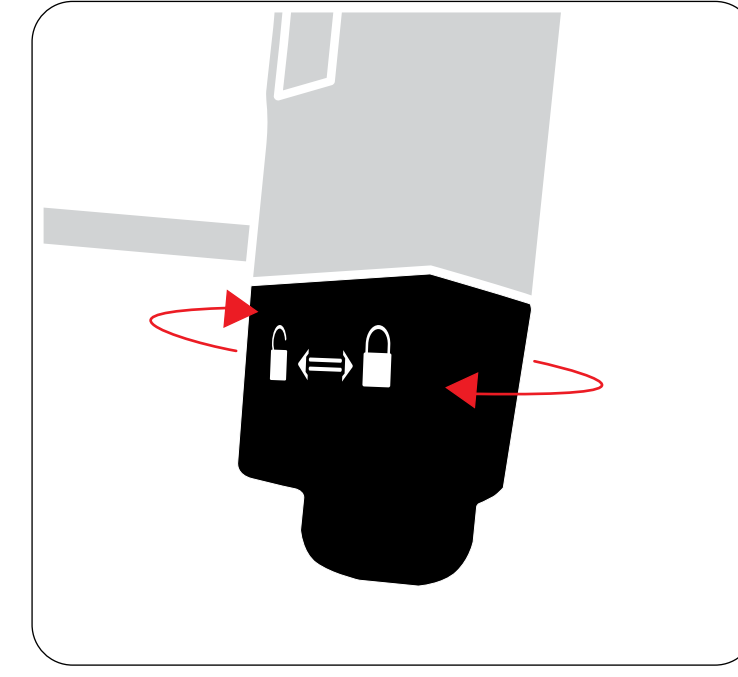
01

PULL OUT SIDES



02

PULL OUT ANCHOR

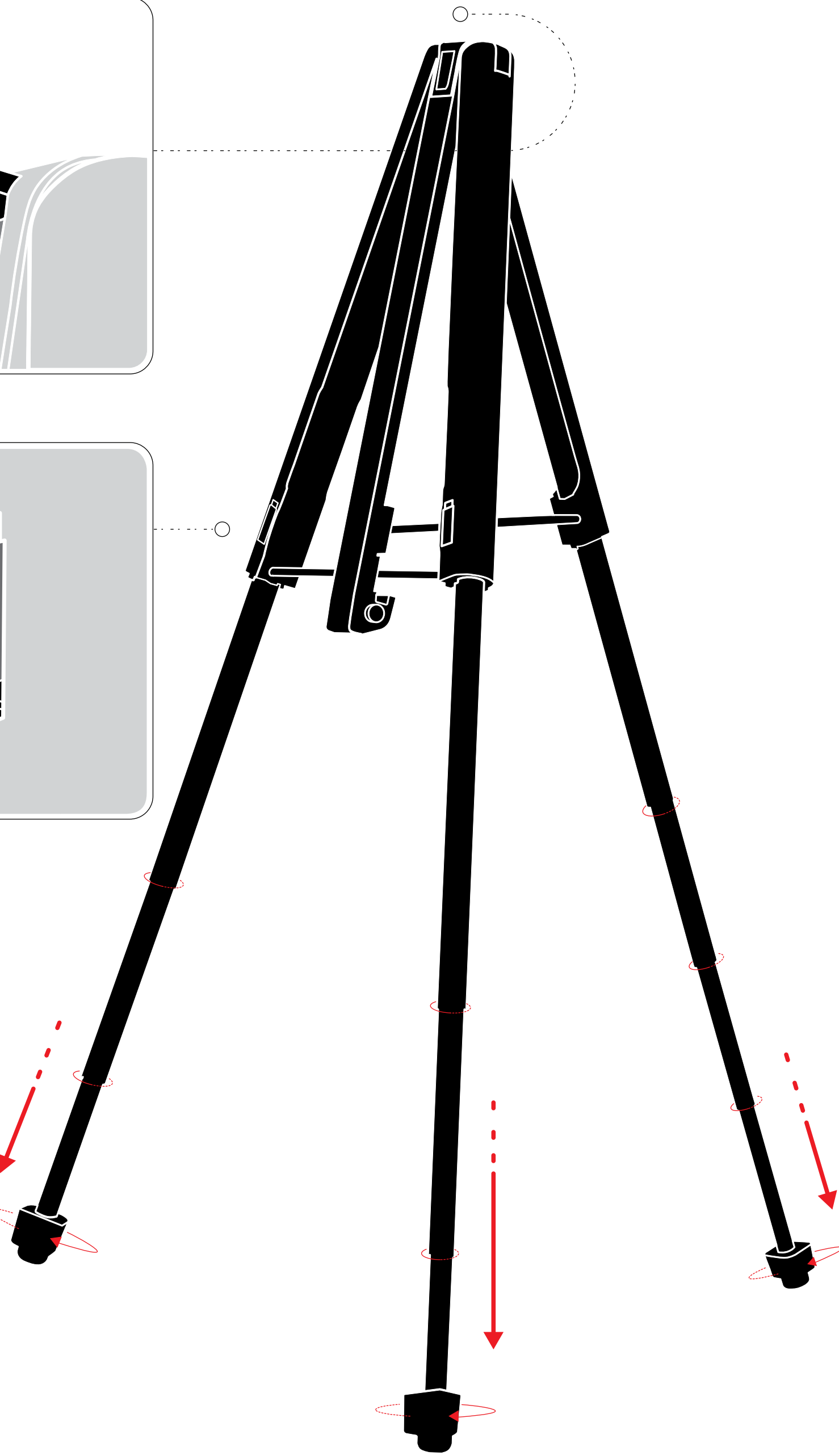
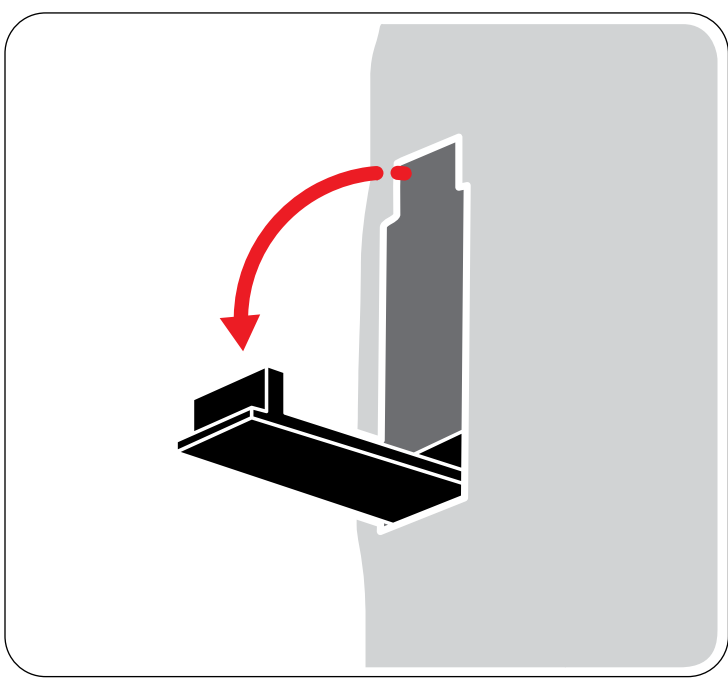
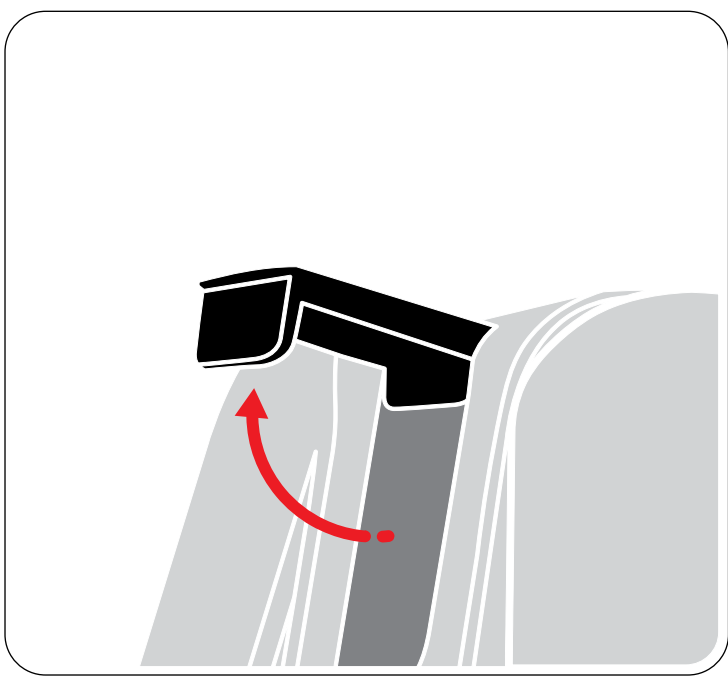


03

UNLOCK BOTTOMS, KEEP TWISTING LEFT TO EXPAND

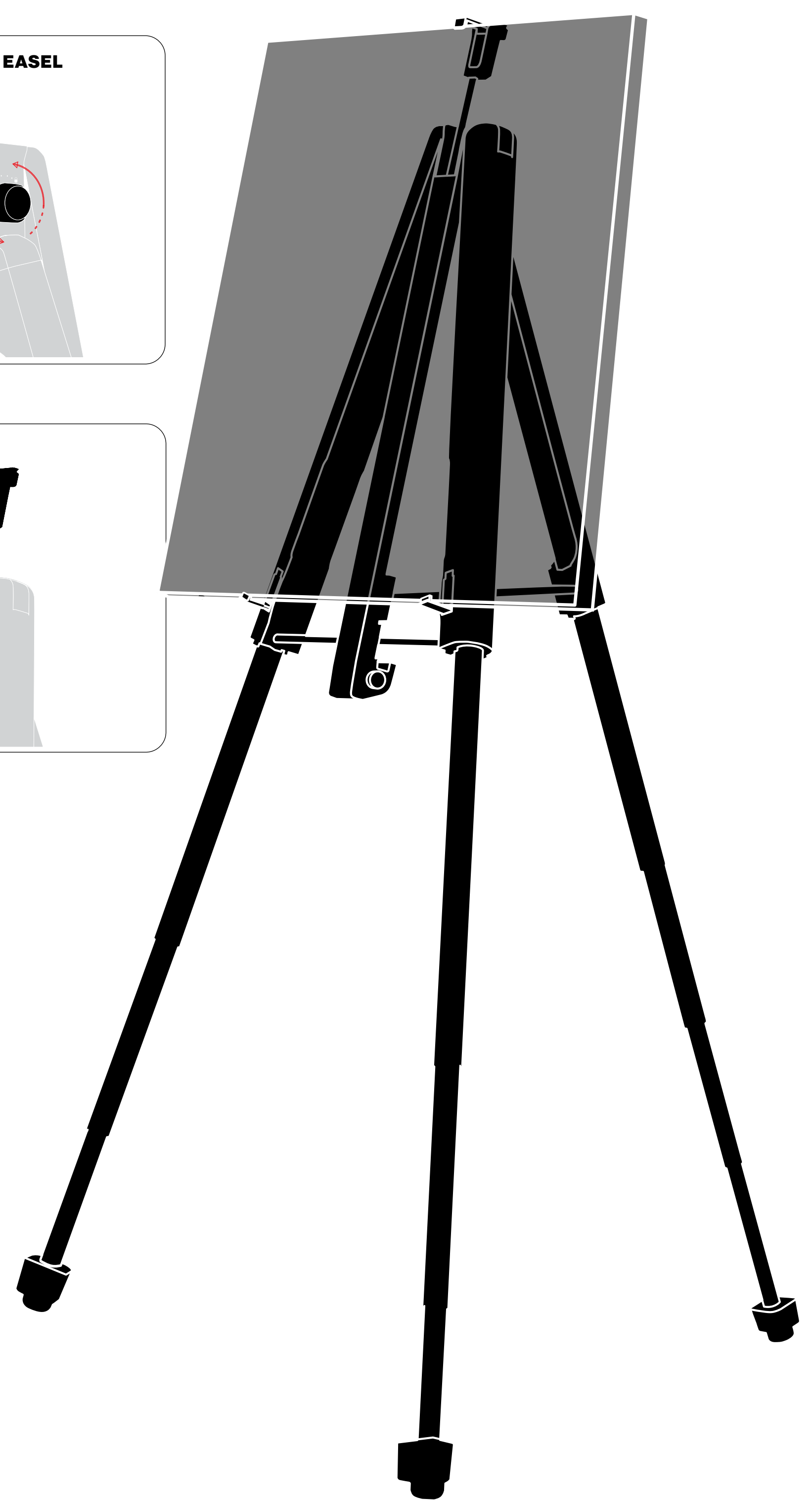
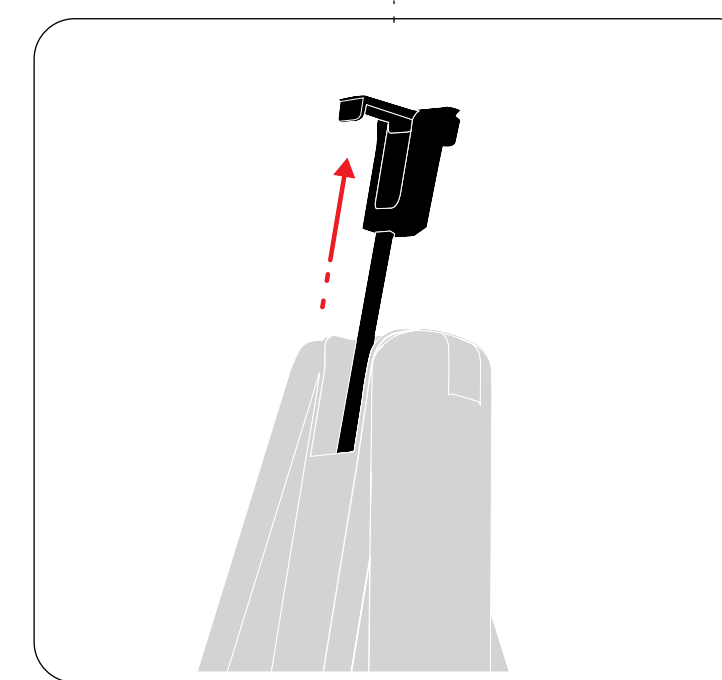
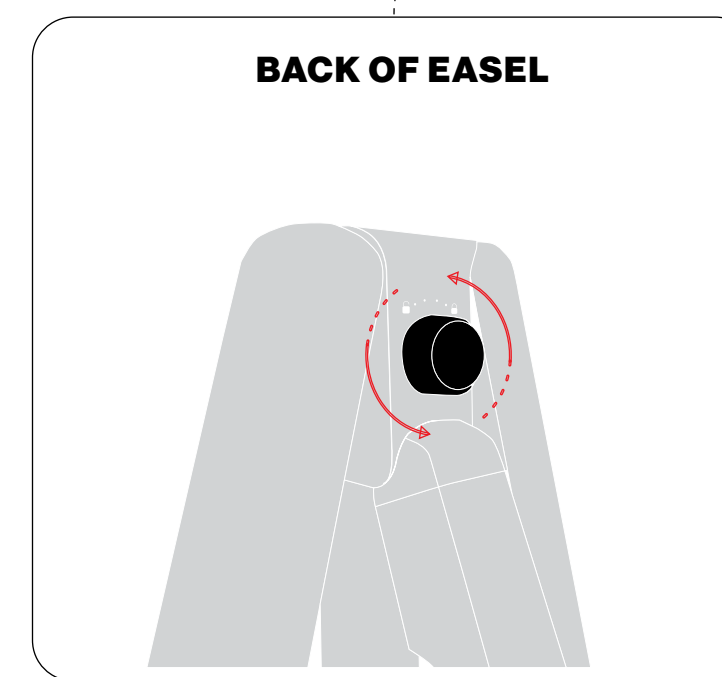
04

TWIST RIGHT TO LOCK ADJUSTED HEIGHTS



06

CUSTOM YOUR EASEL HOLDER



05

FLIP OPEN EASEL HOLDERS

