

BPC-DR

Bamboo Paint Center Drying Rack



Assembly Guide

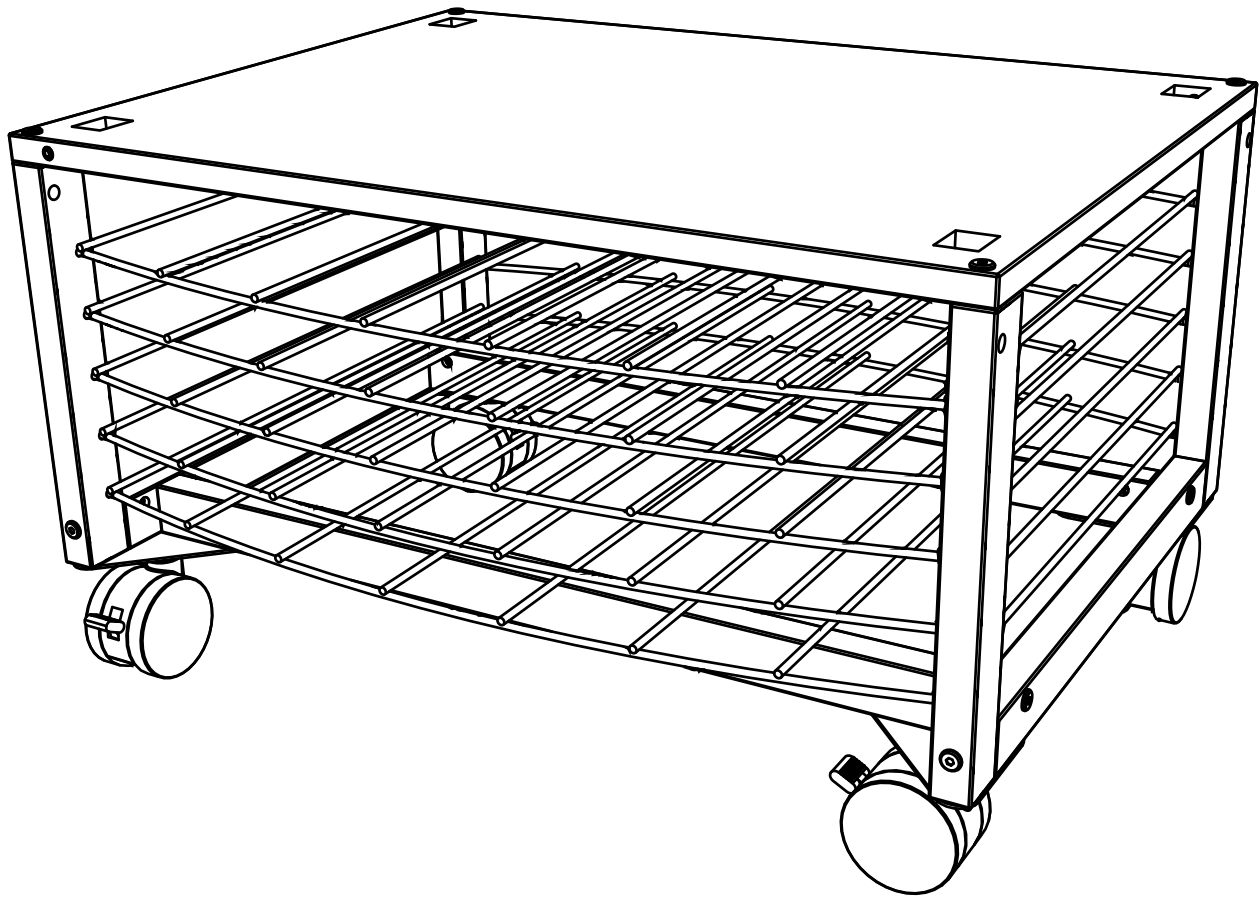
Check out our other products online at www.copernicused.com

For assistance, please contact us by telephone at **1-800-267-8494** or email at info@copernicused.com.

Have your packing slip ready for reference.



**Do Not Use Power
Tools for assembly**



Please Recycle

Customer Service & Warranty Information

Dear Educator,

Thank you for purchasing the Bamboo Paint Center Drying Rack. We hope it meets your expectations and you and your students enjoy using it at your school.

Every day we see and hear stories of teachers going above and beyond to help students thrive. Thank you so much for all you do – you are awesome, and you make a difference.

Thank you for inspiring us.

If you have any questions, concerns or ideas on how we can improve please let us know by contacting our Customer Solutions Ninjas at 1-800-267-8494 or info@copernicused.com.

Happy teaching,

Kaylyn Belcourt, President
kaylyn@copernicused.com



We do not inherit the earth from our ancestors, we borrow it from our children.

- NATIVE AMERICAN PROVERB

Change is the end result of all true learning.

- LEO BUSCAGLIA

What you leave behind is not what is engraved in stone monuments, but what is woven into the lives of others.

- PERICLES

Education is the most powerful weapon which you can use to change the world.

- NELSON MANDELA

For missing parts and other issues regarding your product:

Please contact Customer Service, where we will be happy to help.
Telephone: 1-800-267-8494, Monday - Friday 8:00am - 4:30 pm EST
Email: info@copernicused.com

**Need Support?
Have a Question?**



[Email Customer Service](mailto:info@copernicused.com)

**Check out some of our
other great products!**



www.copernicused.com



Register your Product

Registering your warranty ensures we have all the information we need to make any future warranty claims quick and easy. Please visit www.copernicused.com/warranty and complete the form within 10 business days from product assembly. By registering your product, you will be entered into a draw to win Copernicus product.

Make a Warranty Claim

We offer a Lifetime Warranty on almost everything we make. Please call **1-800-267-8494** or email info@copernicused.com to start your warranty claim. Proof of purchase will be required upon warranty claim (i.e. copy of invoice).

Tips for Assembly

Before You Begin:

- Lay out and identify all of the included parts.
- The hardware has been packed according to step
- Read the assembly guide over once to familiarize yourself with them.

As You Assemble the Unit:

- Follow the steps in sequence.
- Before beginning each step, find the part(s) that you need for that step.
- The title of each step states what you will be doing. Review the text and the pictures as you build the unit.

Watch for These Helpful Symbols:



2-Person Task

For safety, please have someone help you when working on steps displaying this symbol.



The symbol denotes a step needing extra attention to ensure it is done correctly.



Important Information! Warning!

Please read the warnings below for important safety information regarding your product. Failure to read these warnings or to follow the instructions below could result in personal injury or damage to your product that could void your warranty.



Small Parts

In its unassembled state, this product contains parts that can be hazardous to small children. This product should be assembled by an adult.



Adult Supervision

This product is to be used under the supervision of an adult.



No Maintenance

This product does NOT require maintenance. Repairs should only be performed by authorized personnel. Please contact customer service if repairs are required.



Climb Hazard

Do not climb on, hang from or suspend objects from any components of your product unless otherwise specified.



Indoor Use Only

This product is intended for indoor commercial use only. To reduce the risk of fire or electric shock, do not expose this product to rain or moisture. The internal components are not sealed from the environment.



Do Not Use Power Tools

This product is not intended to be assembled with the use of power tools. Please use specified hand tools only, failure to do so may result in damage to the product.



Bamboo Maintenance

When needed, wipe down with mild soapy water. A mild disinfectant can be used. A mild bleach water solution (1:50) can also be used. Wipe cleaning solution off after application.

Recommended cleaning frequency is once monthly, and at minimum, once per school year.

DO NOT leave standing water or cleaning solutions on the bamboo surface.
DO NOT use harsh chemicals to clean surfaces.

Parts

Before beginning, you should have:

Additional tools required:

Screwdriver



BPC-DR

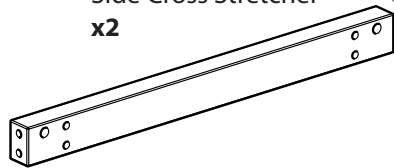
Riser Right
x2



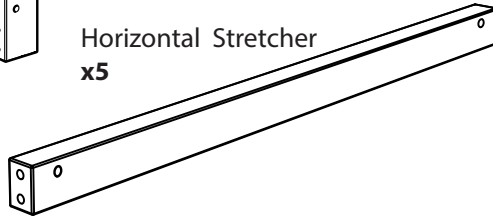
Riser Left
x2



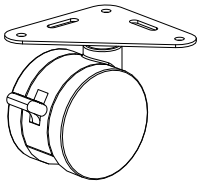
Side Cross Stretcher
x2



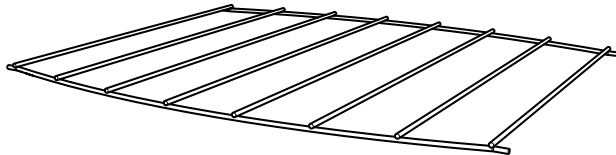
Horizontal Stretcher
x5



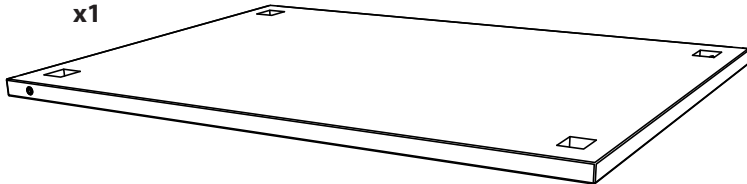
3" Caster with plate
and lock
x4



Drying Rack
x5



Tabletop
x1



In Box

Hardware
Actual Size

(A) M6 x 70mm
4x



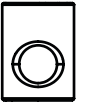
(B) M4 x 20mm Wood Screw
12x



(C) Wooden Peg
12x



(D) M6 Hammer Nut
12x



(E) M6 Flat Washer
8x



(F) M6 Lock Washer
8x



(G) M6 Threaded Knob
2x

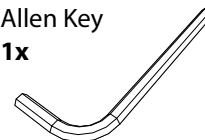


(H) M6 x 55mm
8x



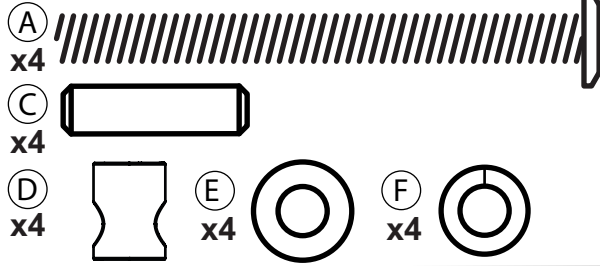
Tools
(Not to Scale)

Allen Key
1x



1

Actual Size:



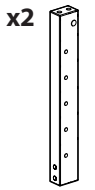
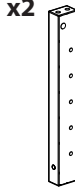
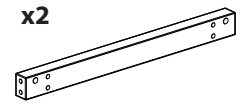
You will need:
(Not to Scale)

Screwdriver

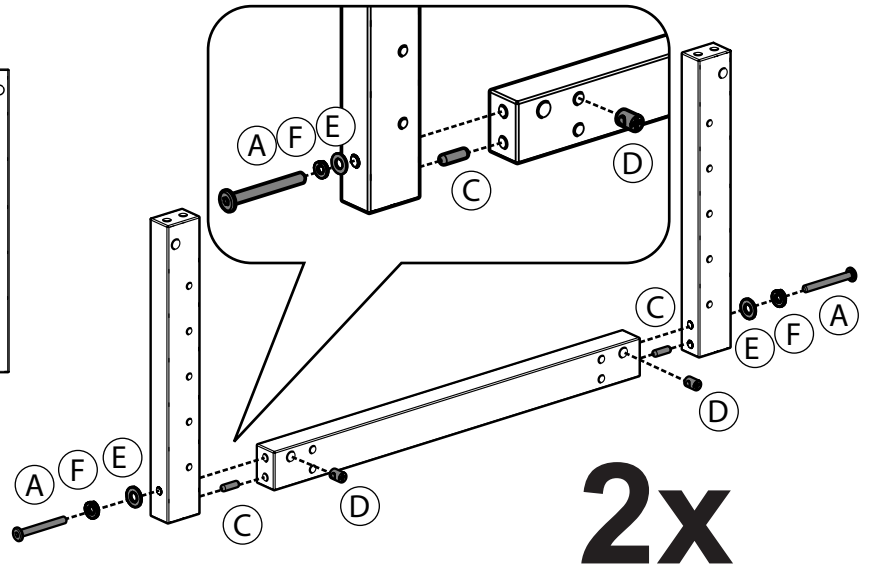
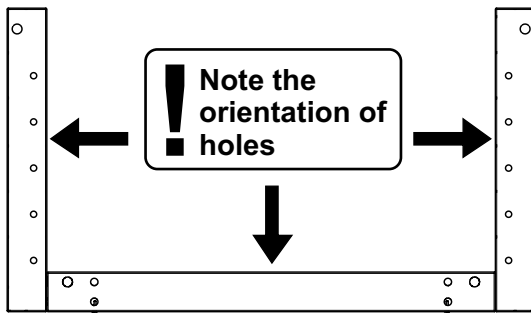
Side Cross Stretcher
x2

Riser Right
x2

Riser Left
x2

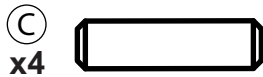


Assemble side frames



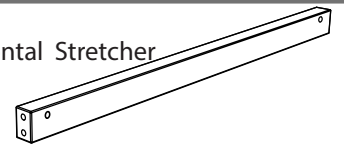
2

Actual Size:

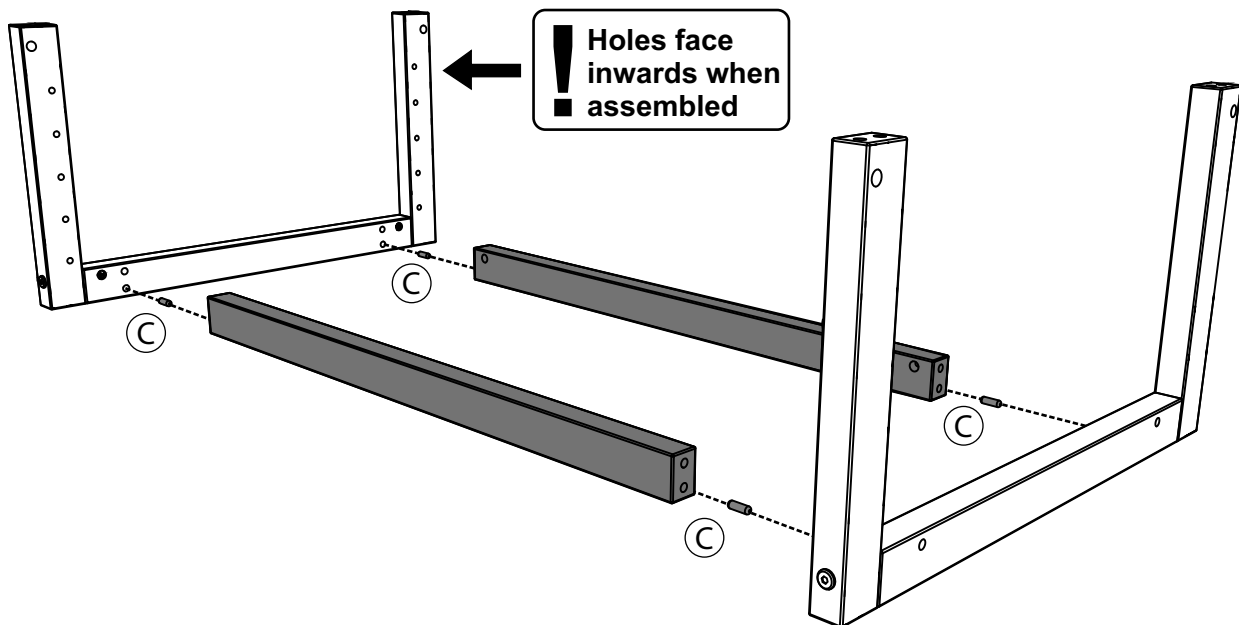


You will need: (Not to Scale)

Horizontal Stretcher
x2

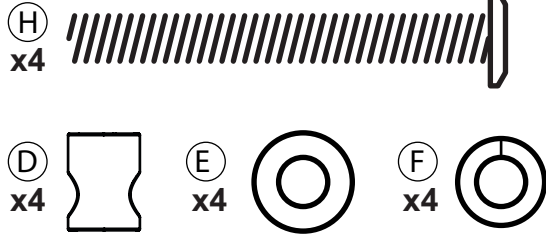


Assemble horizontal stretchers



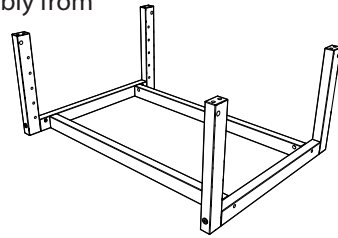
3

Actual Size:



You will need: (Not to Scale)

Assembly from Step 2 x1



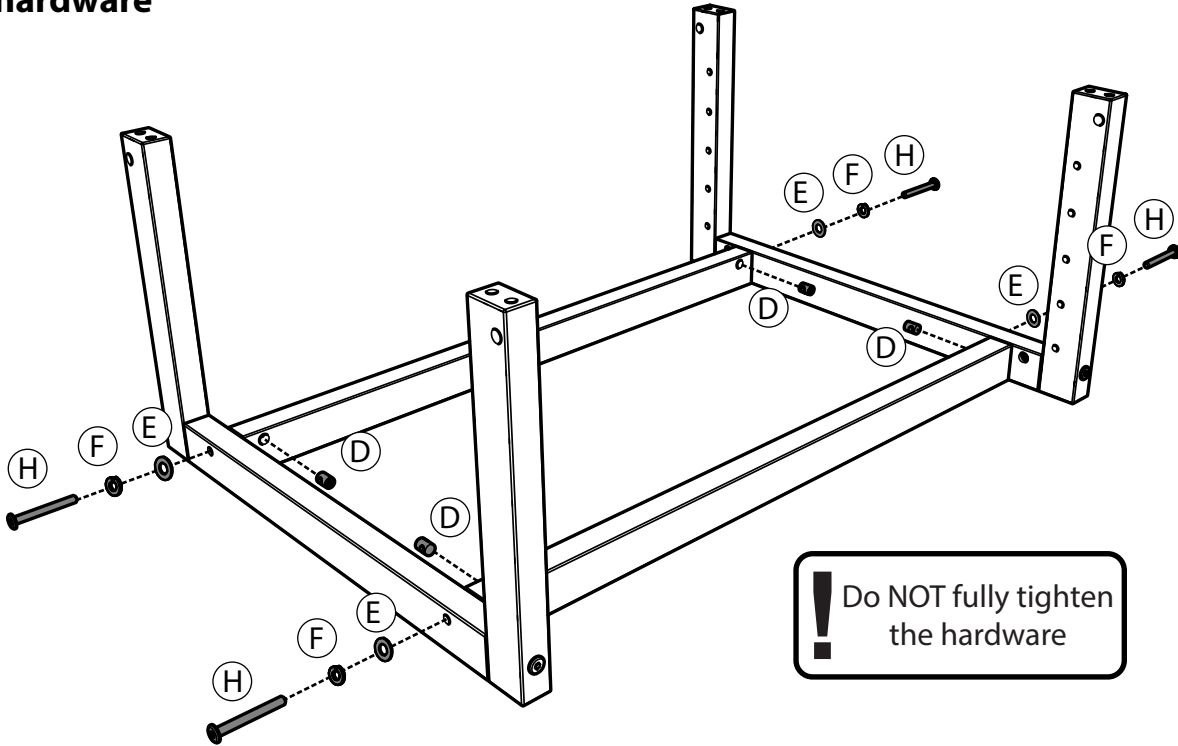
Screwdriver



Allen Key 1x



Insert hardware

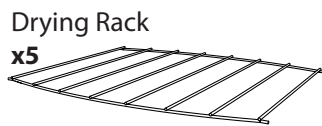


! Do NOT fully tighten the hardware

2-Person Task

4

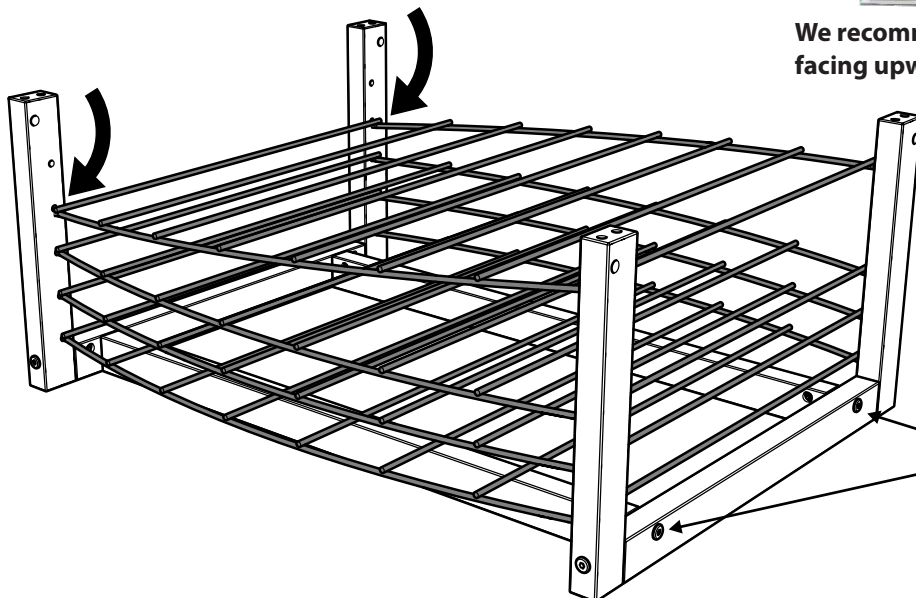
You will need: (Not to Scale)



Install drying racks

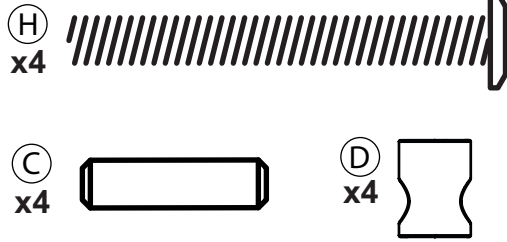


We recommend installing the racks with this side facing upwards - easier to slide paper off the rack



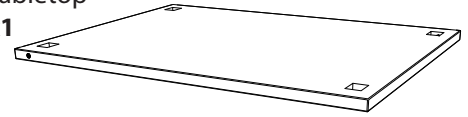
! Fully tighten hardware on both sides once all drying racks have been inserted.

5

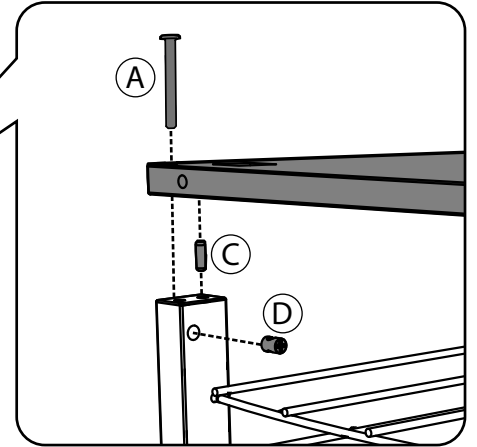
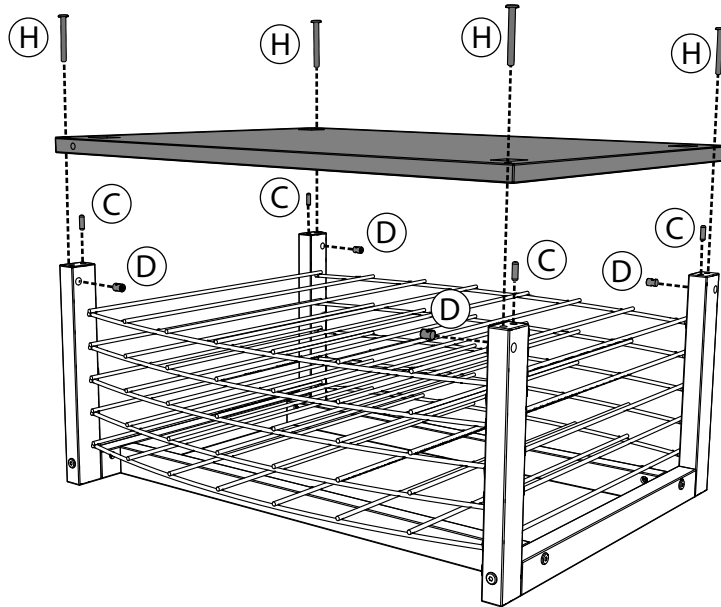


You will need: (Not to Scale)

Tabletop
x1



Assemble tabletop

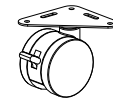


6

Actual Size:

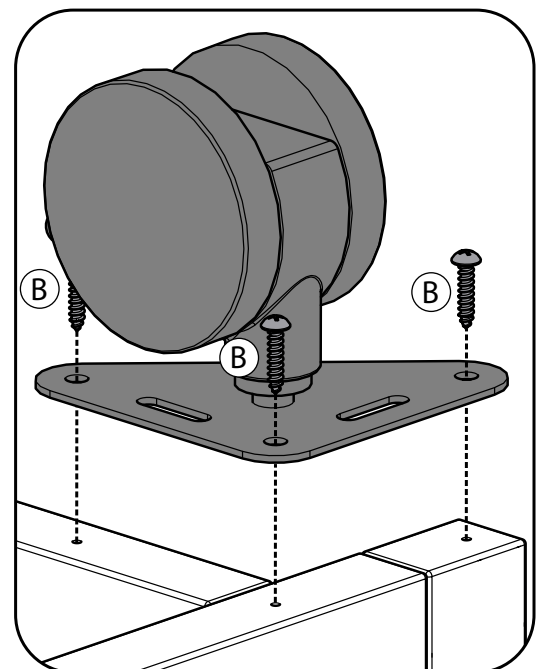
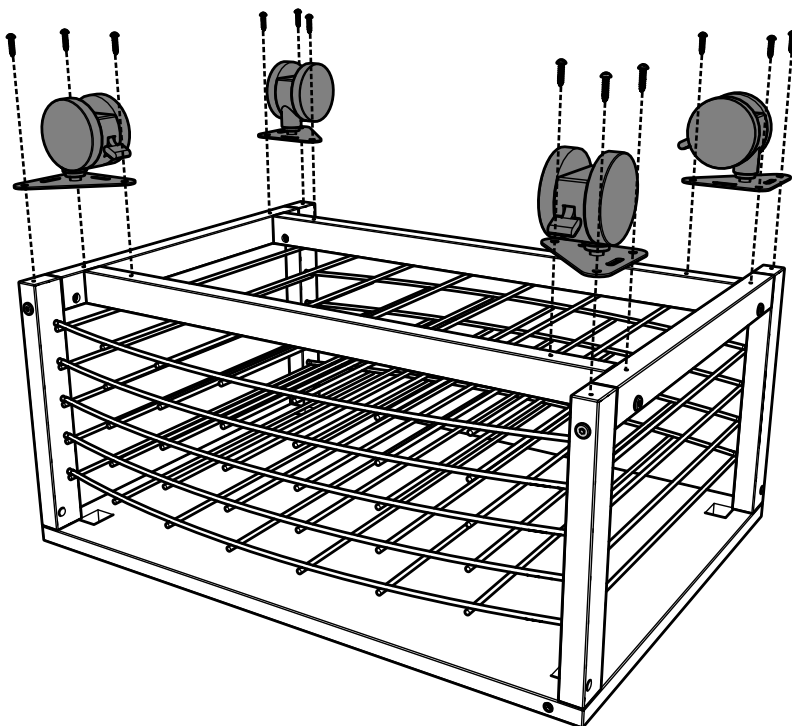


You will need: (Not to Scale)



3" Caster with plate
and lock
x4

Attach casters



7

You will need: (Not to Scale)

Screwdriver

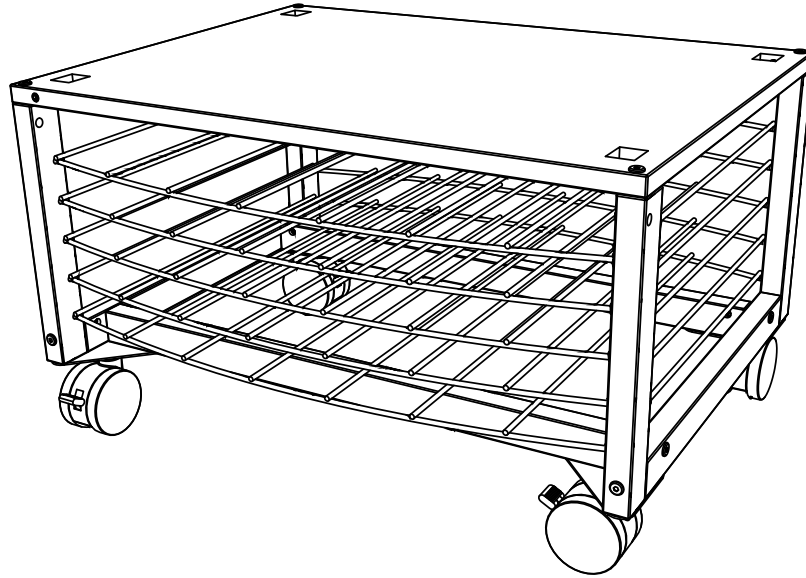


Allen Key
1x



Final Assembly Checks

Check entire assembly for loose parts; tighten all casters, bolts, screws and nuts



8

Actual Size:

G
x2



For use with easel (BPC01 ONLY) - Partially install threaded knobs into holes

See assembly guide BPC01/BPC02 to connect drying rack to easel.

