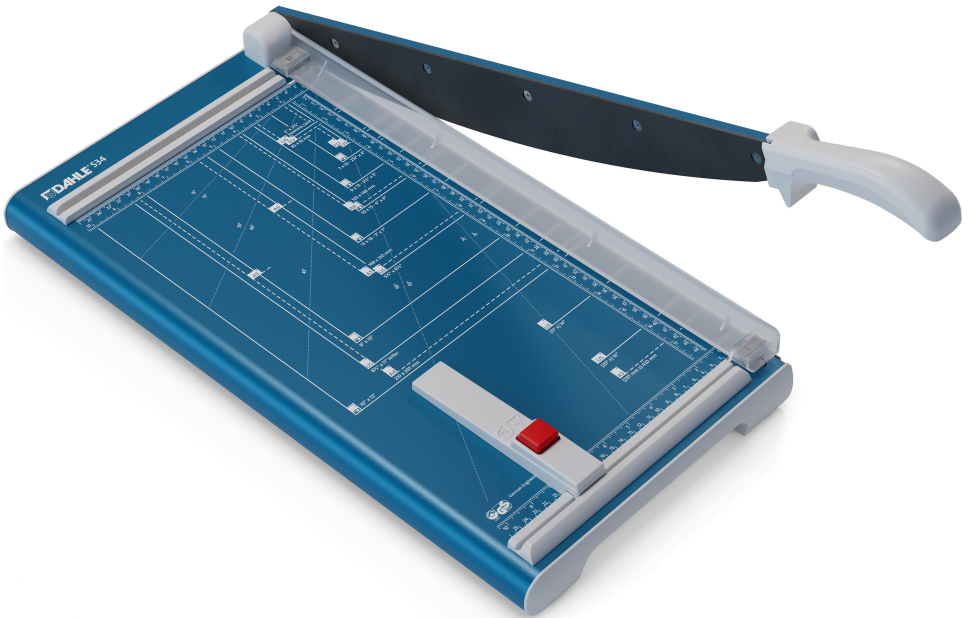


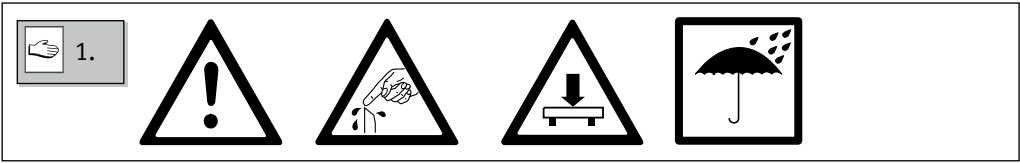
# User Guide


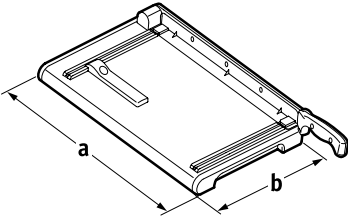
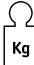
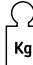
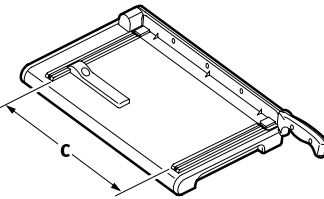
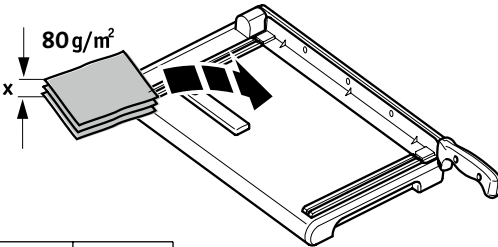

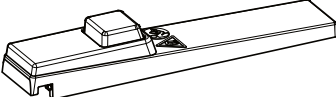
---

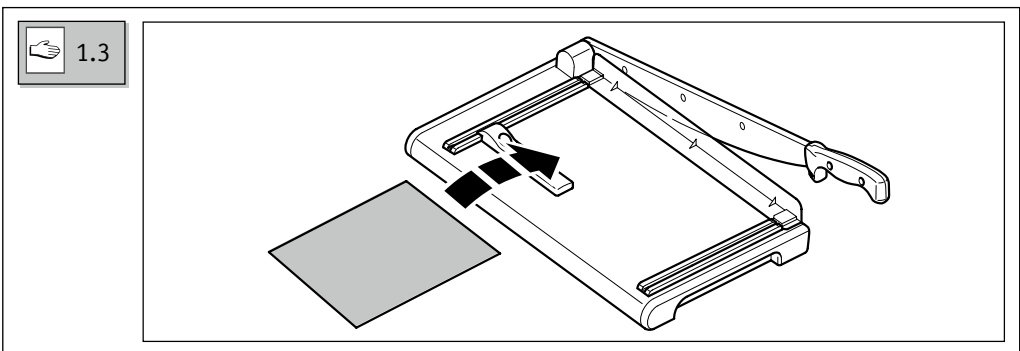
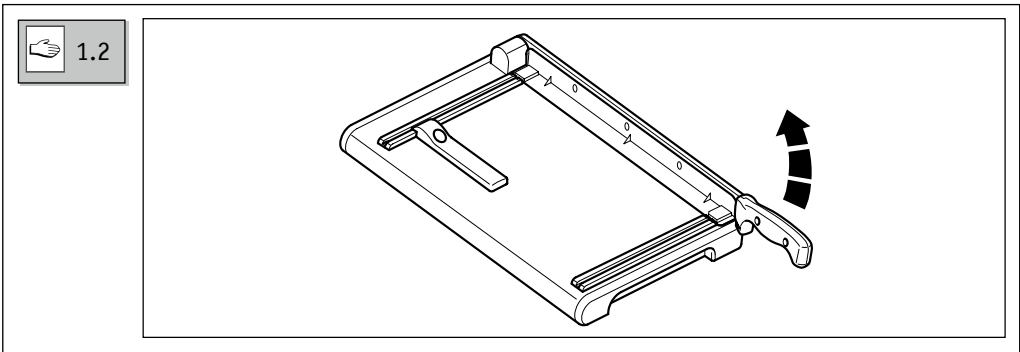
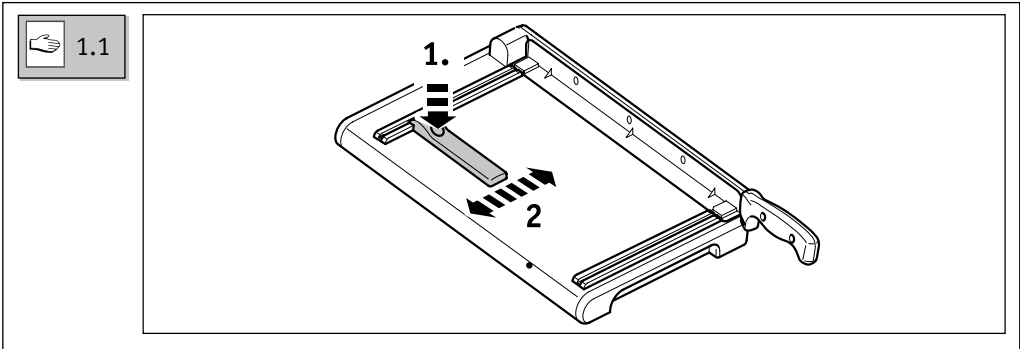
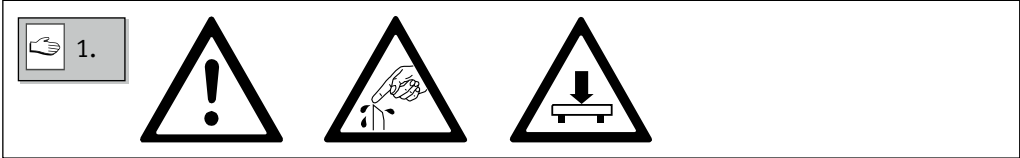
533 | 534



**DAHLE**®

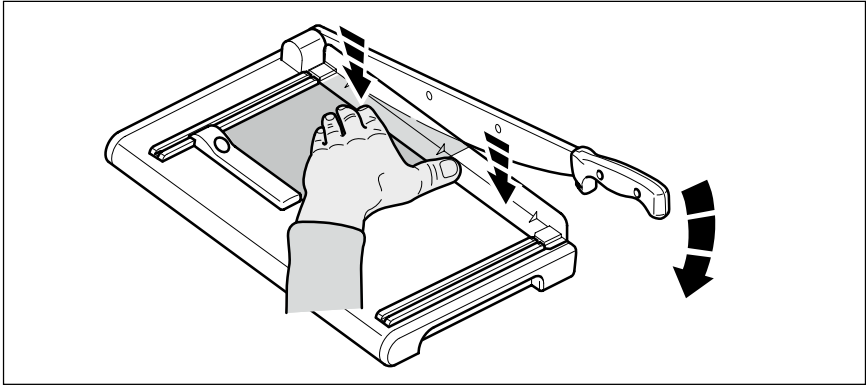


 1.1	<b>533</b>	<b>534</b>
	<b>a = 450 mm</b> 17 3/4" <b>b = 285 mm</b> 11 1/4"  = <b>3,8 kg</b> 8.5 lbs.	<b>a = 575 mm</b> 22 3/4" <b>b = 285 mm</b> 11 1/4"  = <b>4,9 kg</b> 11 lbs.
	<b>c = 340 mm</b> 13 3/8"	<b>c = 466 mm</b> 18"
		
<b>x = 1,5 mm</b>		
	<b>00613-17229</b>	

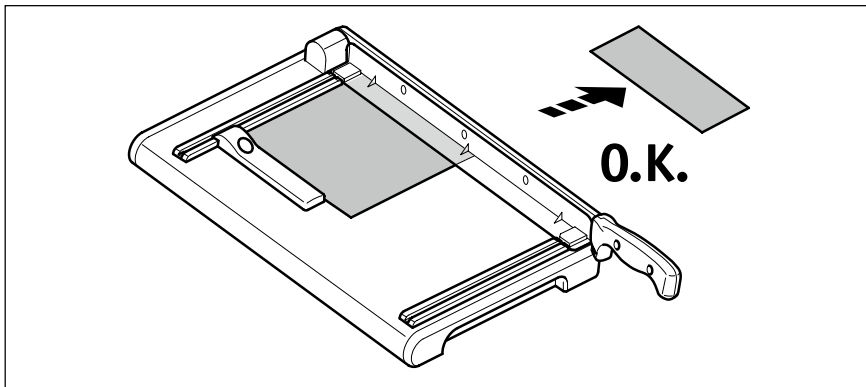


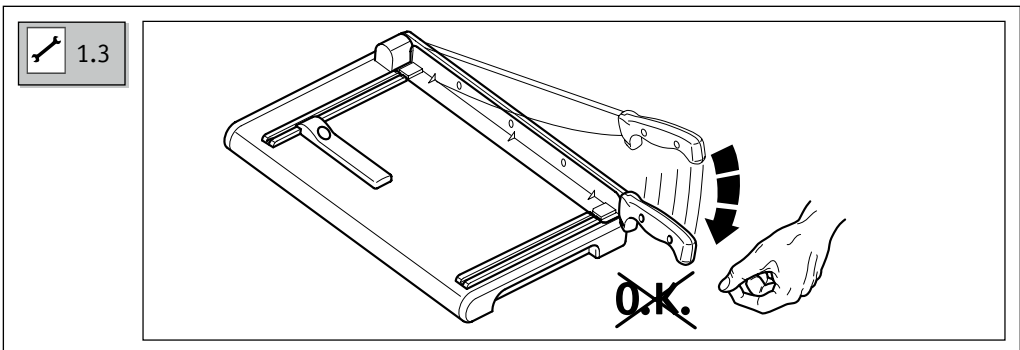
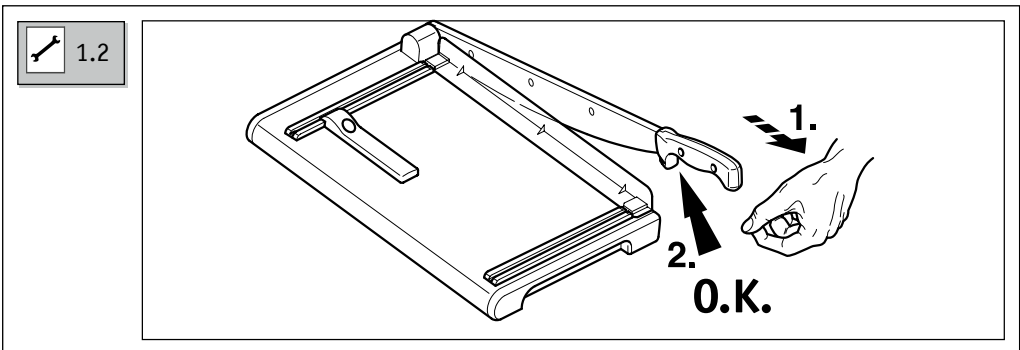
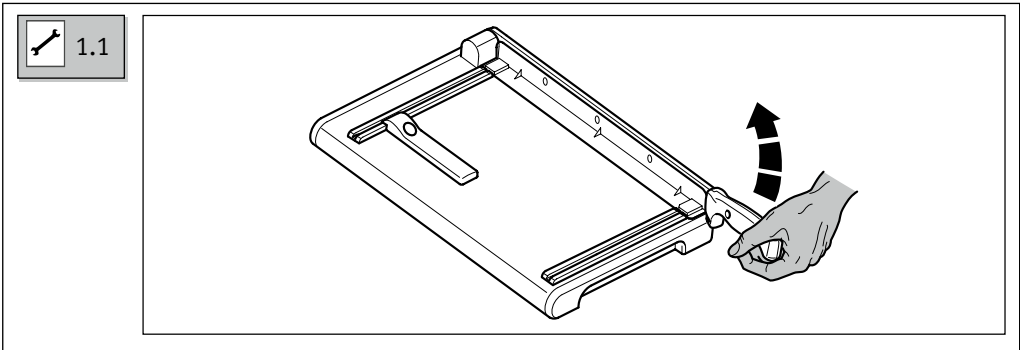
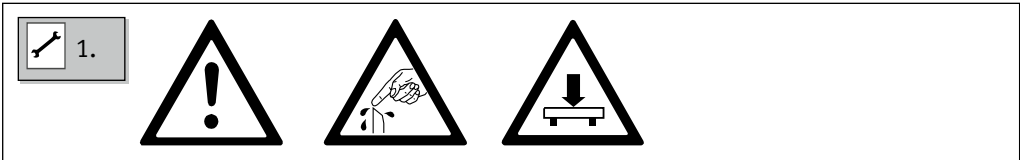


 1.4




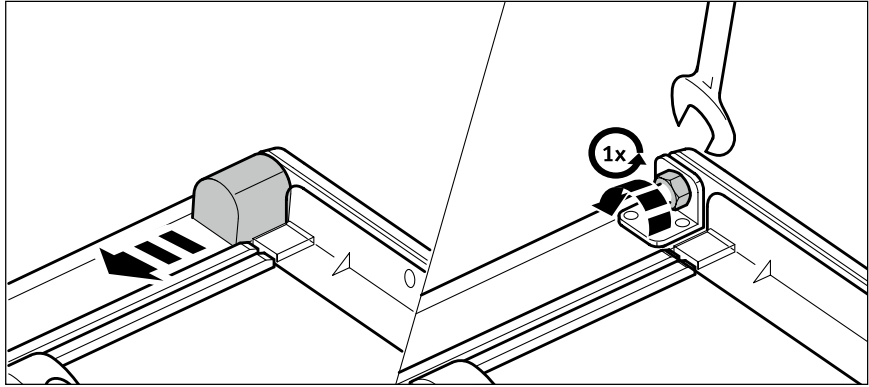
 1.5




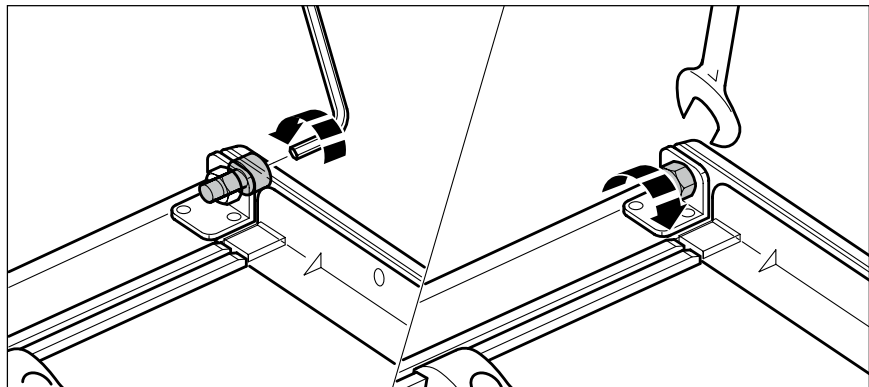





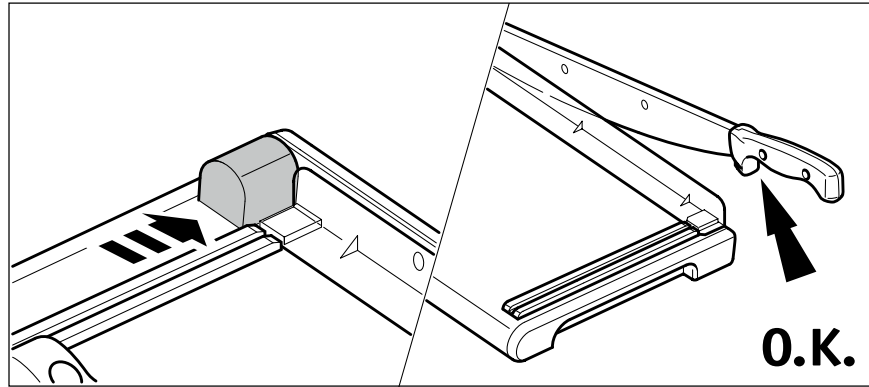
 1.4



 1.5



 1.6





Dahle North America, Inc.  
49 Vose Farm Road  
Peterborough, NH 03458  
Tel. (800) 995-1379  
info@dahle.com



[www.dahle.com](http://www.dahle.com)

16200-22453 | 0224