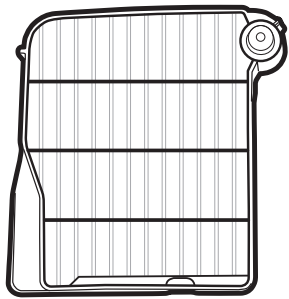
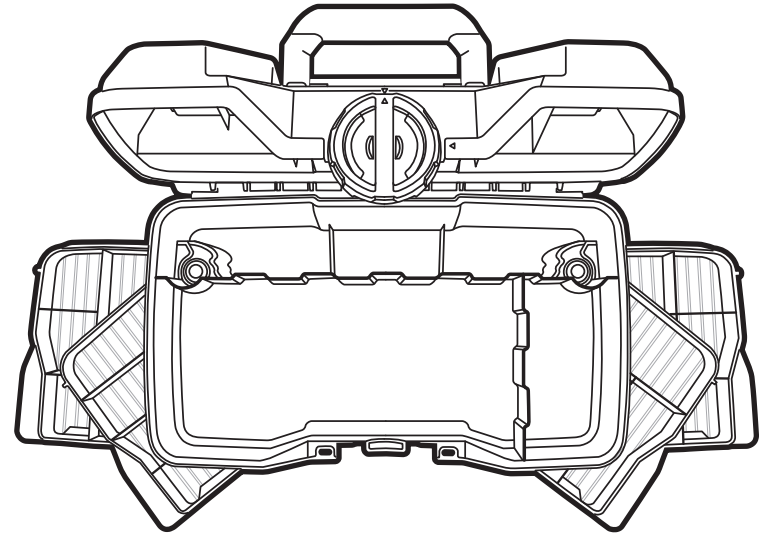
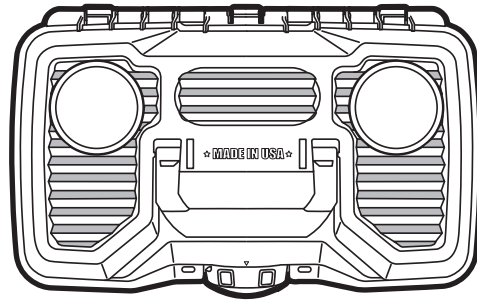
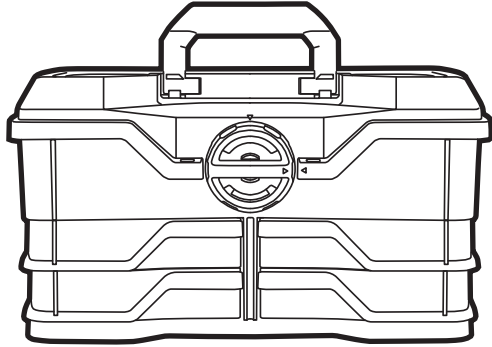


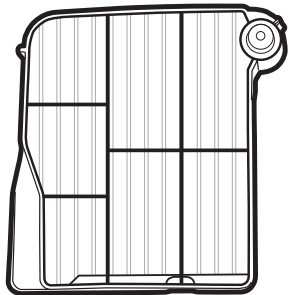
6943PB - Artbin Project Box

23 Compartments - Product Dimensions: 13.25" L x 8.7" W x 8.0" D

4 Pivoting Swing Trays



TOP LEFT TRAY

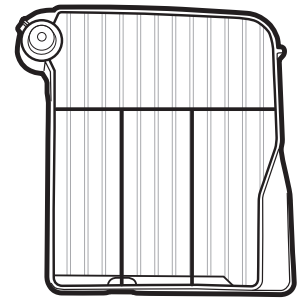


BOTTOM LEFT TRAY

② Back storage slot fits Artbin® 4006AB Solutions™ Box of 6840JN Floss Finder (Not included)

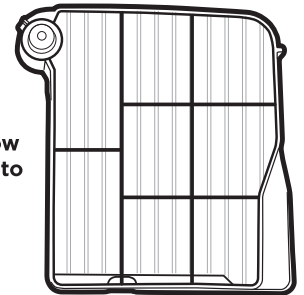
① Easy access to bulk storage space

③ Secure quarter turn dial latch



TOP RIGHT TRAY

④ Extra deep compartment box



BOTTOM RIGHT TRAY

⑤ Swing trays allow for easy access to all supplies

⑨ Swing trays designed to prevent migration

⑧ Finger holds make swing trays easy to open with one hand

⑦

Foot print is the same as Artbin® Two Tray Box

⑥ Smooth pivoting trays for accessible storage

**MADE
IN U.S.A.**

© Copyright 2024
Flambeau Inc.