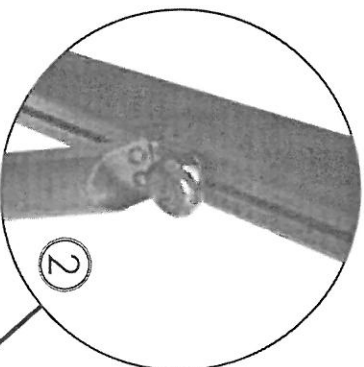


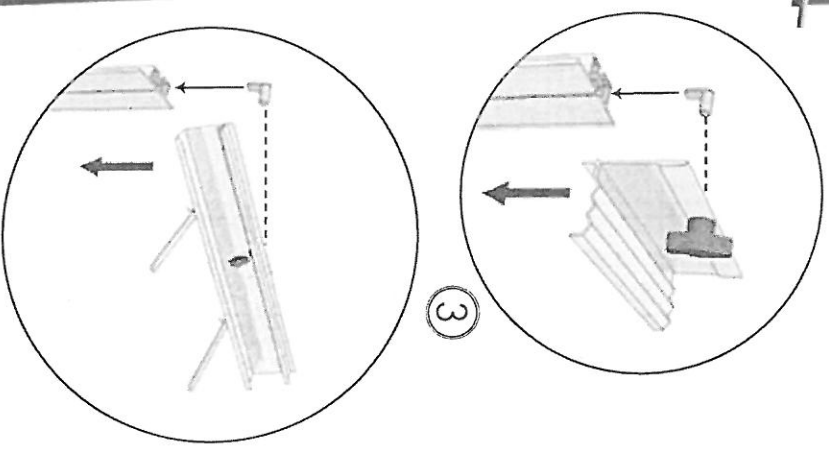
SINGLE MAST EASEL

1. Open the front legs and secure the crossbar in place by inserting the foot of the crossbar's center bolt into the channel of the main mast. Tighten the bolt to fix in its place. Then bolt the end of the crossbar to the second leg and tighten.

2. Extend the back leg and adjust to the desired incline. Tighten the bolt to fix in place.



3. Attach the lower canvas tray by inserting the foot of the tray's bolt into the channel of the main mast. Position at the desired height and tighten the bolt to fix in place. Attach the upper canvas holder in the same manner.



4. Adjust the palette and brush holders as desired and tighten the bolts to fix in place.

