



CENTAX-SEC

ENGLISH

Is this PDF up to date?
[click here for an update check!](#)

CENTAX-SEC

ONE SYSTEM. FULL FLEXIBILITY.

SYSTEM

At a glance

Page 03

COUPLING COMPONENTS

Rubber elements

Page 06

Elastomers

Page 07

Metal parts

Page 08

Membranes

Page 09

Link couplings

Page 10

Bolts

Page 11

Hubs / Adapter

Page 12

Connecting dimensions

Page 13

APPLICATIONS

**Product selection:
Which coupling for
which purpose?**

Page 15

TECHNICAL DATA

**Product application:
Which feature for which
coupling?**

Page 18

Series 00 G/L Series 100 G/L

Series 200 G/L Series 400 G

Series B Series N/NL

SERVICE

Variants

Page VAR-1

**Explanation of the
technical data**

Page APP-1

Contact

Page APP-6

Is this PDF up to date?
[click here for an update check!](#)

CENTAX-SEC AT A GLANCE

CENTA offers a modular CENTAX-SEC coupling system, which allows a constructive maximum of flexibility.

The components of the series are perfectly matched: multiple combinations allow for various features, and easy control of any torsional situation. Ensuring reliable compensation of axial misalignments three optional components are available (membranes, bolts, links), emphasizing CENTA as the supplier with the most multifaceted portfolio in the market.

For efficient and fast customized solutions.

Features

High flexibility in design

High flexibility in all directions

High flexibility in torsional elasticity

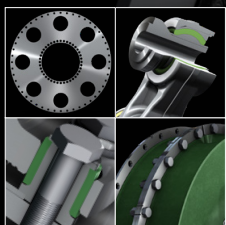
High allowable power loss

Areas of Application



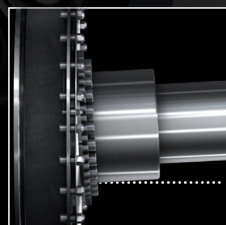
torque range	2,25 bis 180 kNm
elastic material	NR
temperature range	-45° bis +80°C

CENTAX-SEC SYSTEM



MODULARITY

Multiple combinations of the CENTAX-SEC coupling program components are available. This modularity allows for adequate design for any application. For efficient and fast customized solutions.



FUNCTIONS

The CENTAX-SEC coupling program offers many functions to protect your drive from harmful torsional vibrations, to compensate misalignment and to dampen vibrations and noise. Reliable power transmission for your applications with an optimum of features.



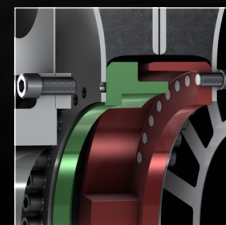
COMPENSATION OF MISALIGNMENT

The CENTAX-SEC rubber elements are torsionally and radially highly flexible. Combined with three optional components (membranes, links or bolts) each application gets the necessary flexibility in axial and angular direction.



DAMPING

The torsional elasticity of each application is variably tuned by the components applied. Shocks and vibrations are dampened, resonances shifted to subcritical ranges and a very low noise level for more comfort on board is achieved.



FAIL SAFE DEVICE

All design types of the CENTAX-SEC series are optionally available with an additional fail-safe device. In case of damage to the rubber elements, the fail-safe device prevents disconnection of any coupled units. Their positive interlocking will not be disrupted. In order to ensure fulfilling the emergency operation requirements which numerous classification societies demand for marine single-engine main propulsions the torque of the system has to be reduced in case of damage.



QUALITY

When the going gets tough, quality is priceless. With an exemplary Quality Management, CENTA ensures products that withstand the roughest assignments. CENTA's coupling systems are more than the sum of their parts. CENTA entertains the vision of intelligent products that meet the highest requirements in terms of design and quality.

CENTAX-SEC

COUPLING COMPONENTS

CENTAX-SEC

RUBBER ELEMENTS

The CENTAX-SEC rubber elements are composite parts made of thin, non-cutting shaped flanges with vulcanized elastomer.

As ring elements they cover a torque range of 1-585 kNm and with an outer diameter of 1790 mm they are the largest available on the market.

As segmented elements, for confined spaces, for short building and especially large couplings, they are available in the torque range of 22-650 kNm with an maximum outer diameter of 1940 mm.



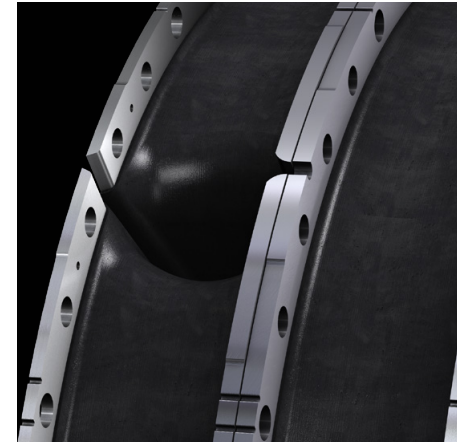
CENTAX-SEC

RUBBER ELEMENTS

THE ELASTOMERS

The elastomers of CENTAX-SEC rubber elements are made of high grade natural rubber - or for special applications with high temperatures - made of Silicone. The geometry of the flange guarantees an equal shear stress through the total cross sectional area. Furthermore the peripheral zones are released by generous radii and rubber outlets for additional relief.

The proportion of the rubber cross section has been optimized by FEA regarding high torsional and high radial elasticities. Openings within the rubber cross sections have intentionally been abstained, to avoid material weakening, increased edge stress and aging. An intensive inner and outer ventilation of the elastomers nevertheless ensures a high allowable energy loss.



CENTAX-SEC

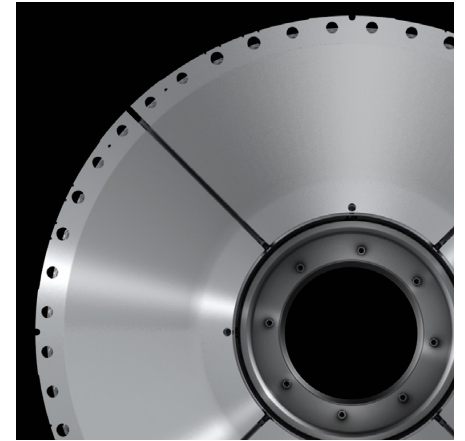
RUBBER ELEMENTS

THE METAL PARTS

The non-cutting shaped steel flanges vulcanized to the elastomer are made of thin high grade steel. Equal distribution of stresses and loads within the plain or dished shaped flanges allow for the usage of relatively thin sheet metal, being lightweighted with low moments of inertia. This intelligent light weight design is in successful use since 1988.

The technology of thin sheet metal has also been adapted and further developed for the generation of the segmented CENTAX-SEC rubber elements. An additional bar at the inner non-restrained diameter compensates bending forces and supports the segments against deformation. In addition, the segments are not affected by any moment of tilt, which would additionally stress the outer bolting (e.g. at the flywheel).

Intensive tests series and fatigue tests and thousands of applications have proven the reliability of this cost efficient design, where stabilizing rings can partly be omitted.



CENTAX-SEC

FUNCTION

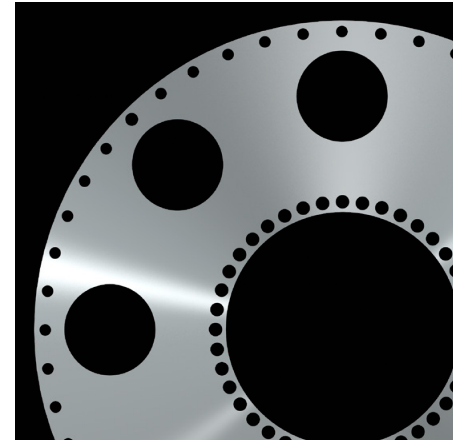
COMPENSATION OF MISALIGNMENT MEMBRANES

The membranes of series N and G are precisely manufactured from highgrade heat treated spring steel. Large, circular openings reduce their axial and angular stiffness by almost 50%.

The spring characteristic of the membranes is nearly linear in axial direction within the usual range showing slight progression at stronger deformation. FEA calculations, extensive testing and field tests have proven their reliability in practise.

The combination of CENTAX-SEC rubber elements and membranes offer sufficient misalignment capacity for most applications. It is applicable for rigidly or elastically placed engines.

CENTA has developed flexible CENTADISC shafts using the same membranes, applied worldwide. This series is available with steel or carbon fibres tubes. Detailed information on this are given in seperate literature.



CENTAX-SEC

FUNCTION

COMPENSATION OF MISALIGNMENT LINK COUPLINGS

The links of series L are made of high grade cast aluminium or steel. They are designed for push and pull. Each link has a cylindrical rubber bush radially bolted to the hub, and a cardanic rubber joint axially bolted to the flange.

Depending on coupling size varied numbers of links are used and can be mounted at low effort. The axial and angular flexibility are unique to the market. Their spring stiffness is very low and shows a linear characteristic. Torsional vibrations, peak loads and considerable misalignments are compensated for without wear and with low reaction forces (proportional to the deflection).

The combination of CENTAX-SEC rubber element and links is used in cases of extreme high demand for misalignment capacity. It is applicable for extremely soft mounted engines, for shock stress applications and for acoustic decoupling between gear and propeller shaft.



CENTAX-SEC

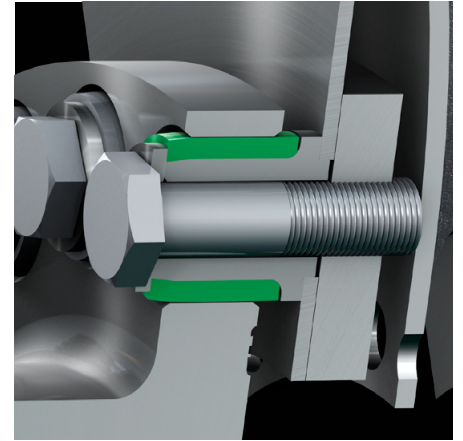
FUNCTION

COMPENSATION OF MISALIGNMENT BOLTS

The bolts of series B are made of heavy duty elastomer. They can slide axially within the hub and adjust themselves.

At the same time the design gives ease of mountability. On flanged units, the coupling may be plugged in axially. On free standing drives the units may be mounted axially or radially.

The combination of CENTAX-SEC rubber element and bolts is excessively robust and allows for substantial radial movement. It can be applied for all kinds of main- and auxiliary drives, especially on gensets.



CENTAX-SEC

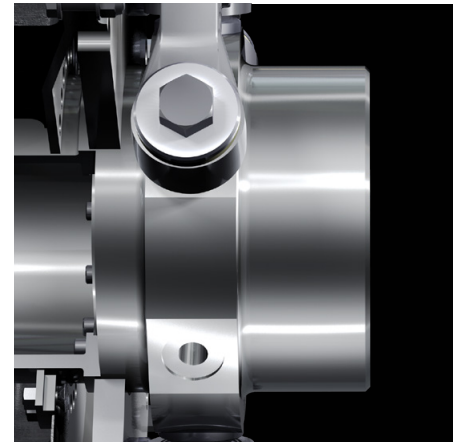
ADAPTION

HUBS

The hubs can be made as one or two piece designs, where the rim is connected to the boss by a special method. CENTA decides for the type of hub to be applied.

ADAPTER

To adjust CENTAX-SEC-couplings to the relevant application, hubs, flanges and adapters are available as standards or special parts according customer specifications. .



CENTAX-SEC

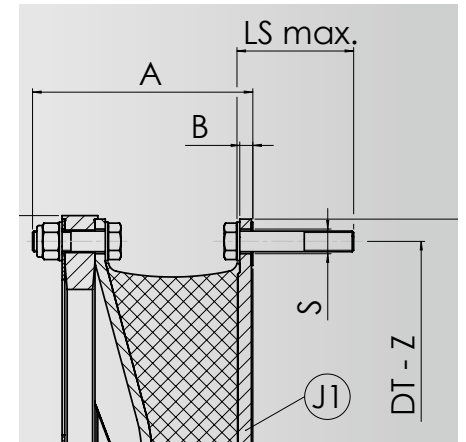
GEOMETRY

CONNECTING DIMENSIONS

For the torque range up to 25 kNm the connecting dimensions comply to SAE standard J620. A new generation of coupling elements has been developed for couplings sizes with $T_{kN} > 25$ kNm with metric dimensions diverging from the previous ones.

Ring elements (series 00 and 100) and segmented elements (series 200 and 400) are offered. It is recommended to mainly apply closed ring elements of series 00 and 100. The segmented series should only be applied, where application requirements are specific in regard of confined space for radial mounting. On very large couplings a segmentation for the elements is essential for production, weight and mountability.

The bolt pattern on the outside of the metal flanges for series 100 and 200 are identical. The large bolts provide sufficient clamping force for the transmission of the torque by friction only. No fitted bolts are necessary and the assembly is very easy.



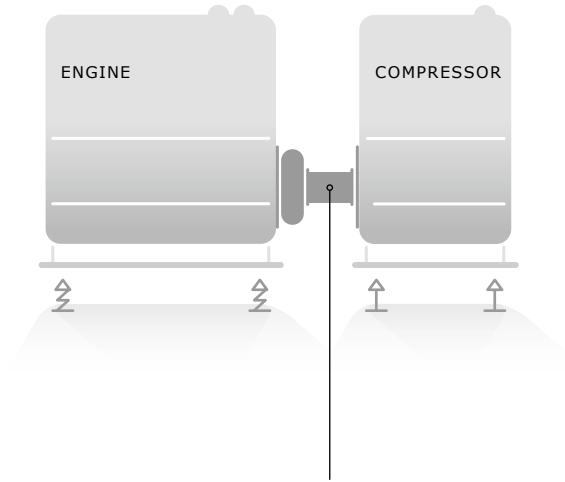
CENTAX-SEC

AREAS OF APPLICATION

Which product for your purpose?

We will gladly assist → www.centa.info/contact

CENTAX-SEC APPLICATIONS

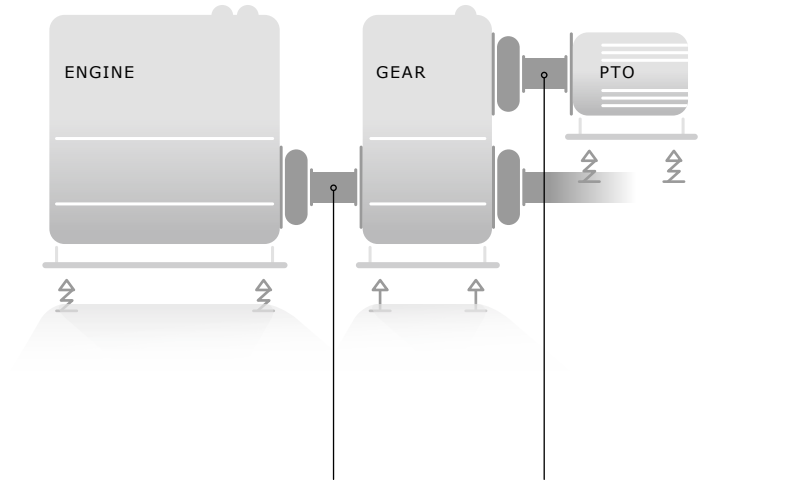


ENGINE : COMPRESSOR

CENTAX-SEC-B

CENTAX-SEC-G

CENTAX-SEC-L



ENGINE : GEAR

CENTAX-SEC-G

CENTAX-SEC-L

CENTAX-SEC-N/NL

GEAR : PTO

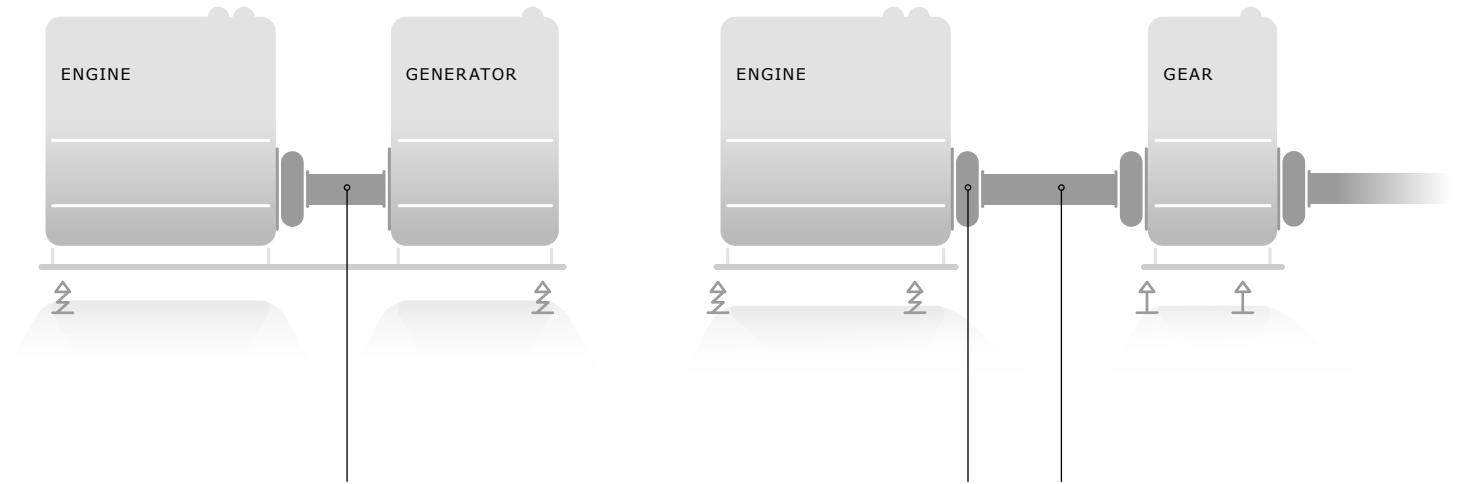
CENTAX-SEC-NL

CENTAX-SEC-G

CENTAX-SEC-L

Which product for your purpose?
We will gladly assist → www.centa.info/contact

CENTAX-SEC APPLICATIONS



ENGINE : GENERATOR

CENTAX-SEC-B

CENTAX-SEC-G

CENTAX-SEC-L

ENGINE : GEAR

COUPLING

CENTAX-SEC-G

CENTAX-SEC-L

+ SHAFT

CENTALINK
www.centa.info/cl

CENTA CARBON
www.centa.info/carbon

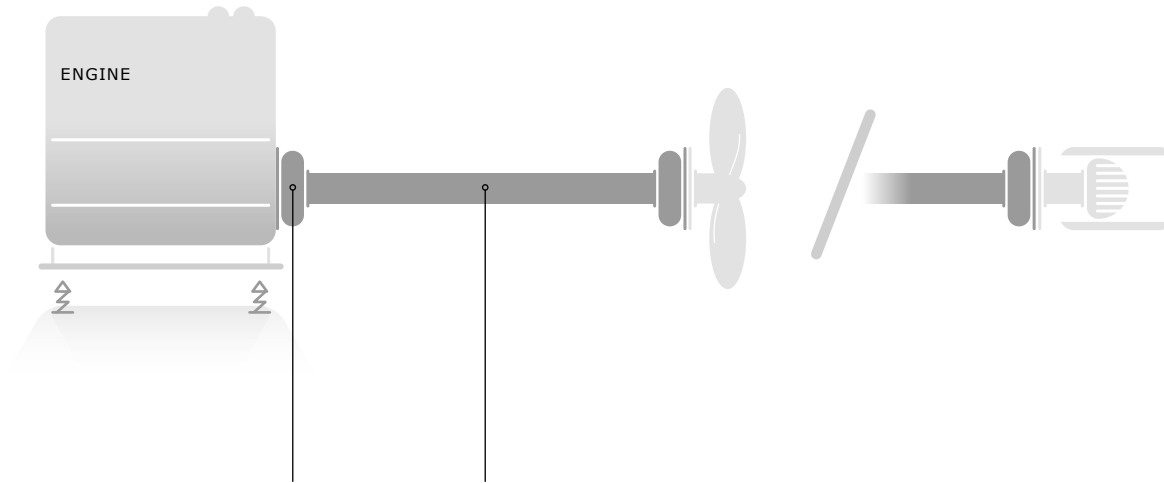
CENTADISC-M
www.centa.info/cd-m

CENTADISC-C
www.centa.info/cd-c

CENTAFLEX-A
www.centa.info/cf-a

Which product for your purpose?
We will gladly assist → www.centa.info/contact

CENTAX-SEC APPLICATIONS



ENGINE : PROPELLER / JET

COUPLING

CENTAX-SEC-G

CENTAX-SEC-L

+ **SHAFT**

CENTA CARBON

www.centa.info/carbon

CENTADISC-C

www.centa.info/cd-c

CENTADISC-M

www.centa.info/cd-m

CENTALINK

www.centa.info/cl

CENTAFLEX-A

www.centa.info/cf-a

Which product for your purpose?
We will gladly assist → www.centa.info/contact

CENTAX-SEC

TECHNICAL DATA

Questions on product selection?

We will gladly assist → www.centa.info/contact

CENTAX-SEC

SERIES 00-G

ARTICLE CODE: 020G-____-__1_



ONE RING ELEMENT AND MEMBRANE

TECHNICAL DATA			↓ SIZES 52-75				→ SIZES 78-90						
1	2	3	4	5	6	7	8	9	10	11	12	13	14
Size	Rubber quality [Shore A]	Nominal torque T_{KN} [kNm]	Maximum torque T_{Kmax} [kNm]	Continuous vibratory torque T_{KW} [kNm]	Permissible power loss P_{KV} [kW]	Dynamic torsional stiffness C_{Tdyn} [kNm/rad]	Relative damping ψ	Speed n_{max} [min ⁻¹]	Permissible axial displacement ΔK_a [mm]	Axial stiffness C_a [kN/mm]	Permissible radial displacement ΔK_r [mm]	Radial stiffness C_{rdyn} [kN/mm]	Permissible angular displacement ΔK_w [°]
00052	45	2,25	6,75	0,56	0,27	10,20	1,00	3600	± 5	0,22	3,00	0,37	0,50
	50	2,80	8,40	0,70	0,28	12,00	1,05						
	60	3,00	9,00	0,75	0,29	15,00	1,10						
	70	3,50	10,50	0,88	0,30	29,00	1,15						
00056	45	2,90	8,70	0,73	0,30	13,00	1,00	3600	± 5	0,28	3,00	0,42	0,50
	50	3,50	10,50	0,88	0,31	15,40	1,05						
	60	4,00	12,00	1,00	0,33	19,30	1,10						
	70	4,40	13,20	1,10	0,35	36,50	1,15						
00064	50	5,50	16,50	1,38	0,36	21,50	1,05	2900	± 5	0,47	3,00	1,00	0,50
	60	6,00	18,00	1,50	0,38	26,80	1,10						
	70	6,50	19,50	1,63	0,40	56,00	1,15						
00066	50	7,50	22,50	1,88	0,46	47,00	1,05	2900	± 5	0,69	4,00	1,30	0,50
	60	8,25	24,75	2,06	0,48	58,00	1,10						
	70	9,00	27,00	2,25	0,50	105,00	1,15						
00069*	50	11,00	33,00	2,75	0,54	68,00	1,05	2900	± 5	0,69	4,00	1,40	0,50
	60	12,00	36,00	3,00	0,57	85,00	1,10						
	70	13,00	39,00	3,25	0,60	155,00	1,15						
00070	50	11,50	34,50	2,88	0,54	68,00	1,05	2900	± 5	0,64	4,00	1,50	0,50
	60	12,50	37,50	3,13	0,57	85,00	1,10						
	70	13,00	39,00	3,25	0,60	155,00	1,15						
00072	50	15,00	45,00	3,75	0,61	94,50	1,05	2750	± 6	1,20	5,00	1,80	0,50
	60	16,50	49,50	4,13	0,64	118,00	1,10						
	70	18,00	54,00	4,50	0,67	212,00	1,15						
00075	50	20,00	60,00	5,00	0,68	135,00	1,05	2300	± 6	1,12	5,50	2,10	0,50
	60	22,00	66,00	5,50	0,71	168,00	1,10						
	70	25,00	75,00	6,25	0,75	305,00	1,15						

* This size only for engines turning left with view onto the flywheel!

CENTAX-SEC

SERIES 00-G

ARTICLE CODE: 020G-____-__1_



ONE RING ELEMENT AND MEMBRANE

TECHNICAL DATA			↓ SIZES 78-90				← SIZES 52-75						
1	2	3	4	5	6	7	8	9	10	11	12	13	14
Size	Rubber quality	Nominal torque	Maximum torque	Continuous vibratory torque	Permissible power loss	Dynamic torsional stiffness	Relative damping	Speed	Permissible axial displacement	Axial stiffness	Permissible radial displacement	Radial stiffness	Permissible angular displacement
	[Shore A]	T_{KN} [kNm]	T_{Kmax} [kNm]	T_{KW} [kNm]	P_{KV} [kW]	C_{Tdyn} [kNm/rad]	Ψ	n_{max} [min ⁻¹]	ΔK_a [mm]	C_a [kN/mm]	ΔK_r [mm]	C_{rdyn} [kN/mm]	ΔK_w [°]
00078	50	31,50	94,50	7,88	0,82	190,00	1,05	2200	± 6	1,36	6,00	2,30	0,50
	60	35,00	105,00	8,75	0,86	237,00	1,10						
	70	40,00	120,00	10,00	0,90	430,00	1,15						
00080	50	40,00	120,00	10,00	0,95	267,00	1,05	2000	± 6	1,28	7,00	2,60	0,50
	60	44,00	130,00	11,00	1,00	334,00	1,10						
	70	50,00	150,00	12,50	1,05	600,00	1,15						
00081	50	50,00	150,00	12,50	1,03	320,00	1,05	1500	± 7	1,25	7,00	3,15	0,50
	60	55,00	165,00	13,75	1,08	400,00	1,10						
	70	63,00	189,00	15,75	1,13	730,00	1,15						
00082	50	63,00	189,00	15,75	1,10	415,00	1,05	1200	± 7	1,20	8,00	3,00	0,50
	60	70,00	210,00	17,50	1,15	518,00	1,10						
	70	80,00	230,00	20,00	1,20	900,00	1,15						
00084	50	80,00	240,00	20,00	1,22	525,00	1,05	1100	± 7	1,20	8,00	3,20	0,50
	60	90,00	270,00	22,50	1,28	656,00	1,10						
	70	100,00	270,00	25,00	1,34	1170,00	1,15						
00085	50	90,00	270,00	22,50	1,25	540,00	1,05	1100	± 7	1,20	8,00	3,30	0,50
	60	100,00	300,00	25,00	1,31	675,00	1,10						
	70	115,00	345,00	28,75	1,37	1230,00	1,15						
00088	50	110,00	330,00	27,50	1,40	750,00	1,05	1040	± 9	1,36	8,00	4,00	0,50
	60	120,00	360,00	30,00	1,47	938,00	1,10						
	70	140,00	410,00	35,00	1,54	1750,00	1,15						
00090	50	145,00	435,00	36,25	1,53	975,00	1,05	1000	± 9	1,36	8,00	5,20	0,50
	60	160,00	435,00	40,00	1,60	1220,00	1,10						
	70	180,00	435,00	45,00	1,68	2240,00	1,15						

CENTAX-SEC

SERIES 00-G

ARTICLE CODE: 020G-____-__2_



TWO RING ELEMENTS AND MEMBRANE

TECHNICAL DATA			↓ SIZES 52-75			→ SIZES 78-90							
1	2	3	4	5	6	7	8	9 ⁽¹⁾	10	11	12	13	14
Size	Rubber quality [Shore A]	Nominal torque T_{KN} [kNm]	Maximum torque T_{Kmax} [kNm]	Continuous vibratory torque T_{KV} [kNm]	Permissible power loss P_{KV} [kW]	Dynamic torsional stiffness C_{Tdyn} [kNm/rad]	Relative damping ψ	Speed n_{max} [min ⁻¹]	Permissible axial displacement ΔK_a [mm]	Axial stiffness C_a [kN/mm]	Permissible radial displacement ΔK_r [mm]	Radial stiffness C_{rdyn} [kN/mm]	Permissible angular displacement ΔK_w [°]
00052	45	2,25	6,75	0,56	0,54	5,10	1,00	3600 (1950)	± 5	0,22	6,00	0,19	0,50
	50	2,80	8,40	0,70	0,56	6,00	1,05						
	60	3,00	9,00	0,75	0,58	7,50	1,10						
	70	3,50	10,50	0,88	0,60	14,50	1,15						
00056	45	2,90	8,70	0,73	0,60	6,50	1,00	3600 (2000)	± 5	0,28	6,00	0,21	0,50
	50	3,50	10,50	0,88	0,62	7,70	1,05						
	60	4,00	12,00	1,00	0,66	9,65	1,10						
	70	4,40	13,20	1,10	0,70	18,25	1,15						
00064	50	5,50	16,50	1,38	0,72	10,75	1,05	2900 (2250)	± 5	0,47	6,00	0,50	0,50
	60	6,00	18,00	1,50	0,76	13,40	1,10						
	70	6,50	19,50	1,63	0,80	28,00	1,15						
00066	50	7,50	22,50	1,88	0,92	23,50	1,05	2900 (2350)	± 5	0,69	8,00	0,65	0,50
	60	8,25	24,75	2,06	0,96	29,00	1,10						
	70	9,00	27,00	2,25	1,00	52,50	1,15						
00069*	50	11,00	33,00	2,75	1,08	34,00	1,05	2900 (2200)	± 5	0,69	8,00	0,70	0,50
	60	12,00	36,00	3,00	1,14	42,50	1,10						
	70	13,00	39,00	3,25	1,20	77,50	1,15						
00070	50	11,50	34,50	2,88	1,08	34,00	1,05	2900 (2200)	± 5	0,64	8,00	0,75	0,50
	60	12,50	37,50	3,13	1,14	42,50	1,10						
	70	13,00	39,00	3,25	1,20	77,50	1,15						
00072	50	15,00	45,00	3,75	1,22	47,25	1,05	2750 (2100)	± 6	1,20	10,00	0,90	0,50
	60	16,50	49,50	4,13	1,28	59,00	1,10						
	70	18,00	54,00	4,50	1,34	106,00	1,15						
00075	50	20,00	60,00	5,00	1,36	67,50	1,05	2300 (1800)	± 6	1,12	11,00	1,05	0,50
	60	22,00	66,00	5,50	1,42	84,00	1,10						
	70	25,00	75,00	6,25	1,50	152,50	1,15						

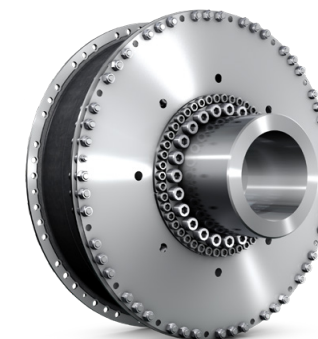
⁽¹⁾ see next page

* This size only for engines turning left with view onto the flywheel!

CENTAX-SEC

SERIES 00-G

ARTICLE CODE: 020G-____-__2_



TWO RING ELEMENTS AND MEMBRANE

TECHNICAL DATA			↓ SIZES 78-90			← SIZES 52-75							
1	2	3	4	5	6	7	8	9 ^①	10	11	12	13	14
Size	Rubber quality	Nominal torque	Maximum torque	Continuous vibratory torque	Permissible power loss	Dynamic torsional stiffness	Relative damping	Speed	Permissible axial displacement	Axial stiffness	Permissible radial displacement	Radial stiffness	Permissible angular displacement
	[Shore A]	T_{KN} [kNm]	T_{Kmax} [kNm]	T_{KW} [kNm]	P_{KV} [kW]	C_{Tdyn} [kNm/rad]	Ψ	n_{max} [min ⁻¹]	ΔK_a [mm]	C_a [kN/mm]	ΔK_r [mm]	C_{rdyn} [kN/mm]	ΔK_w [°]
00078	50	31,50	94,50	7,88	1,64	95,00	1,05	2200 (1550)	± 6	1,36	12,00	1,15	0,50
	60	35,00	105,00	8,75	1,72	118,50	1,10				12,00	1,45	
	70	40,00	120,00	10,00	1,80	215,00	1,15				7,20	2,55	
00080	50	40,00	120,00	10,00	1,90	133,50	1,05	2000 (1400)	± 6	1,28	14,00	1,30	0,50
	60	44,00	130,00	11,00	2,00	167,00	1,10				14,00	1,65	
	70	50,00	150,00	12,50	2,10	300,00	1,15				8,40	2,80	
00081	50	50,00	150,00	12,50	2,06	160,00	1,05	1500	± 7	1,25	14,00	1,58	0,50
	60	55,00	165,00	13,75	2,16	200,00	1,10				14,00	1,95	
	70	63,00	189,00	15,75	2,26	365,00	1,15				8,40	3,45	
00082	50	63,00	189,00	15,75	2,20	207,50	1,05	1200	± 7	1,20	16,00	1,50	0,50
	60	70,00	210,00	17,50	2,30	259,00	1,10				16,00	1,95	
	70	80,00	230,00	20,00	2,40	450,00	1,15				9,60	3,25	
00084	50	80,00	240,00	20,00	2,44	262,50	1,05	1100	± 7	1,20	16,00	1,60	0,50
	60	90,00	270,00	22,50	2,56	328,00	1,10				16,00	2,00	
	70	100,00	270,00	25,00	2,68	585,00	1,15				9,60	3,55	
00085	50	90,00	270,00	22,50	2,50	270,00	1,05	1100	± 7	1,20	16,00	1,65	0,50
	60	100,00	300,00	25,00	2,62	337,50	1,10				16,00	2,10	
	70	115,00	345,00	28,75	2,74	605,00	1,15				9,60	3,65	
00088	50	110,00	330,00	27,50	2,80	375,00	1,05	1040	± 9	1,36	16,00	2,00	0,50
	60	120,00	360,00	30,00	2,94	469,00	1,10				16,00	2,88	
	70	140,00	410,00	35,00	3,08	875,00	1,15				9,60	5,63	
00090	50	145,00	435,00	36,25	3,06	487,50	1,05	1000	± 9	1,36	16,00	2,60	0,50
	60	160,00	435,00	40,00	3,20	610,00	1,10				16,00	3,75	
	70	180,00	435,00	45,00	3,36	1120,00	1,15				9,60	7,20	

^① The sizes 52-80 are available with and without support bearing for the middle mass of the two rows elements. For higher speeds than those in brackets this bearing is necessary, especially for P.T.O.

With this bearing the allowable radial shaft displacement is halved and the radial stiffness is doubled.

The technical data given on this page is for the complete coupling with two elements. We recommend basing exact torsional vibration analysis on the individual masses and stiffnesses of each single element.

CENTAX-SEC

SERIES 00-L

ARTICLE CODE: 016L-_____-__1_



ONE RING ELEMENT AND LINK COUPLING

TECHNICAL DATA			↓ SIZES 52-75				→ SIZES 78-90						
1	2	3	4	5	6	7	8	9	10	11	12	13	14
Size	Rubber quality [Shore A]	Nominal torque T_{KN} [kNm]	Maximum torque T_{Kmax} [kNm]	Continuous vibratory torque T_{KW} [kNm]	Permissible power loss P_{KV} [kW]	Dynamic torsional stiffness C_{Tdyn} [kNm/rad]	Relative damping ψ	Speed n_{max} [min ⁻¹]	Permissible axial displacement ΔK_a [mm]	Axial stiffness C_a [kN/mm]	Permissible radial displacement ΔK_r [mm]	Radial stiffness C_{rdyn} [kN/mm]	Permissible angular displacement ΔK_w [°]
00052	45	2,25	6,75	0,56	0,27	10,20	1,00	3600	± 10	0,29	3,00	0,37	1
	50	2,80	8,40	0,70	0,28	12,00	1,05						
	60	3,00	9,00	0,75	0,29	15,00	1,10						
	70	3,50	10,50	0,88	0,30	29,00	1,15						
00056	45	2,90	8,70	0,73	0,30	13,00	1,00	3600	± 10	0,29	3,00	0,42	1
	50	3,50	10,50	0,88	0,31	15,40	1,05						
	60	4,00	12,00	1,00	0,33	19,30	1,10						
	70	4,40	13,20	1,10	0,35	36,50	1,15						
00064	50	5,50	16,50	1,38	0,36	21,50	1,05	2900	± 10	0,36	3,00	1,00	1
	60	6,00	18,00	1,50	0,38	26,80	1,10						
	70	6,50	19,50	1,63	0,40	56,00	1,15						
00066	50	7,50	22,50	1,88	0,46	47,00	1,05	2900	± 10	0,43	4,00	1,30	1
	60	8,25	24,75	2,06	0,48	58,00	1,10						
	70	9,00	27,00	2,25	0,50	105,00	1,15						
00069*	50	11,00	33,00	2,75	0,54	68,00	1,05	2900	± 13	0,52	4,00	1,40	1
	60	12,00	36,00	3,00	0,57	85,00	1,10						
	70	13,00	39,00	3,25	0,60	155,00	1,15						
00070	50	11,50	34,50	2,88	0,54	68,00	1,05	2900	± 13	0,52	4,00	1,50	1
	60	12,50	37,50	3,13	0,57	85,00	1,10						
	70	13,00	39,00	3,25	0,60	155,00	1,15						
00072	50	15,00	45,00	3,75	0,61	94,50	1,05	2750	± 13	0,62	5,00	1,80	1
	60	16,50	49,50	4,13	0,64	118,00	1,10						
	70	18,00	54,00	4,50	0,67	212,00	1,15						
00075	50	20,00	60,00	5,00	0,68	135,00	1,05	2300	± 13	0,75	5,50	2,10	1
	60	22,00	66,00	5,50	0,71	168,00	1,10						
	70	25,00	75,00	6,25	0,75	305,00	1,15						

* This size only for engines turning left with view onto the flywheel!

CENTAX-SEC

SERIES 00-L

ARTICLE CODE: 016L-_____-__1_



ONE RING ELEMENT AND LINK COUPLING

TECHNICAL DATA			↓ SIZES 78-90			← SIZES 52-75							
1	2	3	4	5	6	7	8	9	10	11	12	13	14
Size	Rubber quality	Nominal torque	Maximum torque	Continuous vibratory torque	Permissible power loss	Dynamic torsional stiffness	Relative damping	Speed	Permissible axial displacement	Axial stiffness	Permissible radial displacement	Radial stiffness	Permissible angular displacement
	[Shore A]	T_{KN} [kNm]	T_{Kmax} [kNm]	T_{KW} [kNm]	P_{KV} [kW]	C_{Tdyn} [kNm/rad]	Ψ	n_{max} [min ⁻¹]	ΔK_a [mm]	C_a [kN/mm]	ΔK_r [mm]	C_{rdyn} [kN/mm]	ΔK_w [°]
00078	50	31,50	94,50	7,88	0,82	190,00	1,05	2200	± 18	0,90	6,00	2,30	1
	60	35,00	105,00	8,75	0,86	237,00	1,10						
	70	40,00	120,00	10,00	0,90	430,00	1,15						
00080	50	40,00	120,00	10,00	0,95	267,00	1,05	2000	± 18	1,10	7,00	2,60	1
	60	44,00	130,00	11,00	1,00	334,00	1,10						
	70	50,00	150,00	12,50	1,05	600,00	1,15						
00081	50	50,00	150,00	12,50	1,03	320,00	1,05	1500	± 18	1,10	7,00	3,15	1
	60	55,00	165,00	13,75	1,08	400,00	1,10						
	70	63,00	189,00	15,75	1,13	730,00	1,15						
00082	50	63,00	189,00	15,75	1,10	415,00	1,05	1200	± 18	1,30	8,00	3,00	1
	60	70,00	210,00	17,50	1,15	518,00	1,10						
	70	80,00	230,00	20,00	1,20	900,00	1,15						
00084	50	80,00	240,00	20,00	1,22	525,00	1,05	1100	± 18	1,30	8,00	3,20	1
	60	90,00	270,00	22,50	1,28	656,00	1,10						
	70	100,00	270,00	25,00	1,34	1170,00	1,15						
00085	50	90,00	270,00	22,50	1,25	540,00	1,05	1100	± 18	1,30	8,00	3,30	1
	60	100,00	300,00	25,00	1,31	675,00	1,10						
	70	115,00	345,00	28,75	1,37	1210,00	1,15						
00088	50	110,00	330,00	27,50	1,40	750,00	1,05	1040	± 18	1,73	8,00	4,00	1
	60	120,00	360,00	30,00	1,47	938,00	1,10						
	70	140,00	410,00	35,00	1,54	1750,00	1,15						
00090	50	145,00	435,00	36,25	1,53	975,00	1,05	1000	-	-	8,00	5,20	-
	60	160,00	435,00	40,00	1,60	1220,00	1,10						
	70	180,00	435,00	45,00	1,68	2240,00	1,15						

CENTAX-SEC

SERIES 00-L

ARTICLE CODE: 016L-_____-__2_



TWO RING ELEMENTS AND LINK COUPLING

TECHNICAL DATA			↓ SIZES 52-75			→ SIZES 78-90							
1	2	3	4	5	6	7	8	9 ⁽¹⁾	10	11	12	13	14
Size	Rubber quality [Shore A]	Nominal torque T_{KN} [kNm]	Maximum torque T_{Kmax} [kNm]	Continuous vibratory torque T_{KV} [kNm]	Permissible power loss P_{KV} [kW]	Dynamic torsional stiffness C_{Tdyn} [kNm/rad]	Relative damping ψ	Speed n_{max} [min ⁻¹]	Permissible axial displacement ΔK_a [mm]	Axial stiffness C_a [kN/mm]	Permissible radial displacement ΔK_r [mm]	Radial stiffness C_{rdyn} [kN/mm]	Permissible angular displacement ΔK_w [°]
00052	45	2,25	6,75	0,56	0,54	5,10	1,00	3600 (1950)	± 10	0,29	6,00	0,19	1
	50	2,80	8,40	0,70	0,56	6,00	1,05						
	60	3,00	9,00	0,75	0,58	7,50	1,10						
	70	3,50	10,50	0,88	0,60	14,50	1,15						
00056	45	2,90	8,70	0,73	0,60	6,50	1,00	3600 (2000)	± 10	0,29	6,00	0,21	1
	50	3,50	10,50	0,88	0,62	7,70	1,05						
	60	4,00	12,00	1,00	0,66	9,65	1,10						
	70	4,40	13,20	1,10	0,70	18,25	1,15						
00064	50	5,50	16,50	1,38	0,72	10,75	1,05	2900 (2250)	± 10	0,36	6,00	0,50	1
	60	6,00	18,00	1,50	0,76	13,40	1,10						
	70	6,50	19,50	1,63	0,80	28,00	1,15						
00066	50	7,50	22,50	1,88	0,92	23,50	1,05	2900 (2350)	± 10	0,43	8,00	0,65	1
	60	8,25	24,75	2,06	0,96	29,00	1,10						
	70	9,00	27,00	2,25	1,00	52,50	1,15						
00069*	50	11,00	33,00	2,75	1,08	34,00	1,05	2900 (2200)	± 13	0,52	8,00	0,70	1
	60	12,00	36,00	3,00	1,14	42,50	1,10						
	70	13,00	39,00	3,25	1,20	77,50	1,15						
00070	50	11,50	34,50	2,88	1,08	34,00	1,05	2900 (2200)	± 13	0,52	8,00	0,75	1
	60	12,50	37,50	3,13	1,14	42,50	1,10						
	70	13,00	39,00	3,25	1,20	77,50	1,15						
00072	50	15,00	45,00	3,75	1,22	47,25	1,05	2750 (2100)	± 13	0,62	10,00	0,90	1
	60	16,50	49,50	4,13	1,28	59,00	1,10						
	70	18,00	54,00	4,50	1,34	106,00	1,15						
00075	50	20,00	60,00	5,00	1,36	67,50	1,05	2300 (1800)	± 13	0,75	11,00	1,05	1
	60	22,00	66,00	5,50	1,42	84,00	1,10						
	70	25,00	75,00	6,25	1,50	152,50	1,15						

⁽¹⁾ see next page
* This size only for engines turning left with view onto the flywheel!

CENTAX-SEC

SERIES 00-L

ARTICLE CODE: 016L-_____-__2_



TWO RING ELEMENTS AND LINK COUPLING

TECHNICAL DATA			↓ SIZES 78-90			← SIZES 52-75							
1	2	3	4	5	6	7	8	9 ^(a)	10	11	12	13	14
Size	Rubber quality [Shore A]	Nominal torque T_{KN} [kNm]	Maximum torque T_{Kmax} [kNm]	Continuous vibratory torque T_{KV} [kNm]	Permissible power loss P_{KV} [kW]	Dynamic torsional stiffness C_{Tdyn} [kNm/rad]	Relative damping ψ	Speed n_{max} [min ⁻¹]	Permissible axial displacement ΔK_a [mm]	Axial stiffness C_a [kN/mm]	Permissible radial displacement ΔK_r [mm]	Radial stiffness C_{rdyn} [kN/mm]	Permissible angular displacement ΔK_w [°]
00078	50	31,50	94,50	7,88	1,64	95,00	1,05	2200 (1550)	± 18	0,90	12,00	1,15	1
	60	35,00	105,00	8,75	1,72	118,50	1,10						
	70	40,00	120,00	10,00	1,80	215,00	1,15						
00080	50	40,00	120,00	10,00	1,90	133,50	1,05	2000 (1400)	± 18	1,10	14,00	1,30	1
	60	44,00	130,00	11,00	2,00	167,00	1,10						
	70	50,00	150,00	12,50	2,10	300,00	1,15						
00081	50	50,00	150,00	12,50	2,06	160,00	1,05	1500	± 18	1,10	14,00	1,58	1
	60	55,00	165,00	13,75	2,16	200,00	1,10						
	70	63,00	189,00	15,75	2,26	365,00	1,15						
00082	50	63,00	189,00	15,75	2,20	207,50	1,05	1200	± 18	1,30	16,00	1,50	1
	60	70,00	210,00	17,50	2,30	259,00	1,10						
	70	80,00	230,00	20,00	2,40	450,00	1,15						
00084	50	80,00	240,00	20,00	2,44	262,50	1,05	1100	± 18	1,30	16,00	1,60	1
	60	90,00	270,00	22,50	2,56	328,00	1,10						
	70	100,00	270,00	25,00	2,68	585,00	1,15						
00085	50	90,00	270,00	22,50	2,50	270,00	1,05	1100	± 18	1,30	16,00	1,65	1
	60	100,00	300,00	25,00	2,62	337,50	1,10						
	70	115,00	345,00	28,75	2,74	605,00	1,15						
00088	50	110,00	330,00	27,50	2,80	375,00	1,05	1040	± 18	1,73	16,00	2,00	1
	60	120,00	360,00	30,00	2,94	469,00	1,10						
	70	140,00	410,00	35,00	3,08	875,00	1,15						
00090	50	145,00	435,00	36,25	3,06	487,50	1,05	1000	-	-	16,00	2,60	-
	60	160,00	435,00	40,00	3,20	610,00	1,10						
	70	180,00	435,00	45,00	3,36	1120,00	1,15						

^(a) The sizes 52-80 are available with and without support bearing for the middle mass of the two rows elements. For higher speeds than those in brackets this bearing is necessary, especially for P.T.O.

With this bearing the allowable radial shaft displacement is halved and the radial stiffness is doubled.

The technical data given on this page is for the complete coupling with two elements. We recommend basing exact torsional vibration analysis on the individual masses and stiffnesses of each single element.

CENTAX-SEC

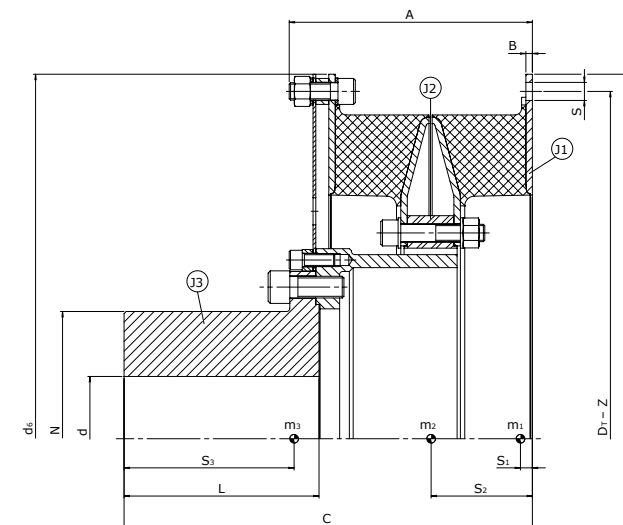
SERIES 00-GFS2

ARTICLE CODE: 020G-____-FS20

FLYWHEEL-SHAFT

TWO RING ELEMENTS AND MEMBRANE

OUTER HUB



DIMENSIONS

↓ SIZES 52-85

Size	T _{KN} [kNm]	Dimensions							Flange dimensions					Distance centre of gravity, moments of inertia and masses									
		A	B	C	d _{max}	d ₆	L	N	SAE J620	D _A [h7]	D _T	Z	S	S ₁	S ₂	S ₃	J ₁	J ₂	J ₃	m ₁	m ₂	m ₃	m _{total}
00052	2,25-3,5	188	4	290	115	466,7	125	160	14	466,7	438,2	16x22,5°	13 M12	7,0	79,0	108,5	0,15	0,23	0,40	4,3	9,7	25,2	39,2
00056	2,9-4,4	190	4	292	115	466,7	125	160	14	466,7	438,2	16x22,5°	13 M12	8,5	80,0	109,5	0,16	0,25	0,41	4,6	10,3	25,6	40,5
00064	5,5-6,5	203	5	322,5	118	466,7	140	165	14	466,7	438,2	16x22,5°	13 M12	9,5	87,0	126,5	0,23	0,42	0,56	6,7	17,2	33,5	57,4
00066	7,5-9	186,5	5	316,5	130	571,5	155	185	18	571,5	542,9	12x30°	17 M16	8,0	76,0	139,0	0,44	0,70	1,20	8,4	18,7	47,7	74,8
00069*	11-13	199	6	339	150	584,0	160	210	18	571,5	542,9	6x60°	17 M16	10,5	85,5	144,0	0,55	1,27	1,54	9,2	26,7	59,4	95,3
00071	11,5-13	199,5	6	339,5	150	584,0	160	210	21	673,1	641,4	24x15°	17 M16	8,5	86,0	144,0	0,96	1,28	1,54	13,6	26,8	59,4	99,8
00072	15-18	224,5	6	377	165	673,1	180	235	21	673,1	641,4	24x15°	17 M16	11,0	93,5	157,0	1,07	2,05	2,84	13,9	34,9	82,4	131,2
00075	20-25	250	8	419	170	733,4	200	235	24	733,4	692,2	24x15°	19 M18	11,5	104,5	181,0	2,01	3,69	4,42	22,7	55,8	103,2	181,7
00078	31,5-40	273	8	462	200	800	220	278	-	800	770	32x11,25°	19 M18	14,0	116,0	194,5	2,83	6,71	7,10	26,5	84,9	139,8	251,2
00080	40-50	300,5	10	522	215	885	250	303	-	885	855	48x7,5°	17 M16	16,0	130,0	221,5	5,32	11,08	12,21	39,3	109,6	199,6	348,5
00081	50-63	307	10	539	232	920	265	325	-	920	880	32x11,25°	19 M18	15,0	130,0	231,0	7,02	11,70	14,43	55,4	140,4	233,5	429,3
00082	63-80	345	10	591	280	1105	280	388	-	1105	1060	32x11,25°	21 M20	15,5	148,0	243,0	13,02	25,18	29,72	65,3	181,9	317,1	564,3
00084	80-100	344	10	590	280	1105	280	388	-	1105	1060	32x11,25°	21 M20	17,5	147,5	245,0	14,32	27,92	31,02	70,9	193,0	322,7	586,6
00085	90-115	349	10	590	280	1070	280	388	-	1070	1025	32x11,25°	23,5 M22	18,0	147,5	246,5	12,92	27,64	32,11	69,4	203,8	351,9	625,1
00088	110-140	430	12	777	320	1260	385	450	-	1260	1225	48x7,5°	21,5 M20	21,0	189,0	319,5	27,45	74,80	63,67	99,3	345,9	542,9	988,1
00090	145-180	430	12	792	345	1330	400	485	-	1330	1295	48x7,5°	21,5 M20	22,0	189,0	325,0	36,80	93,19	78,36	123,8	397,5	611,6	1132,9

* This size only for engines turning left with view onto the flywheel!

CENTAX-SEC

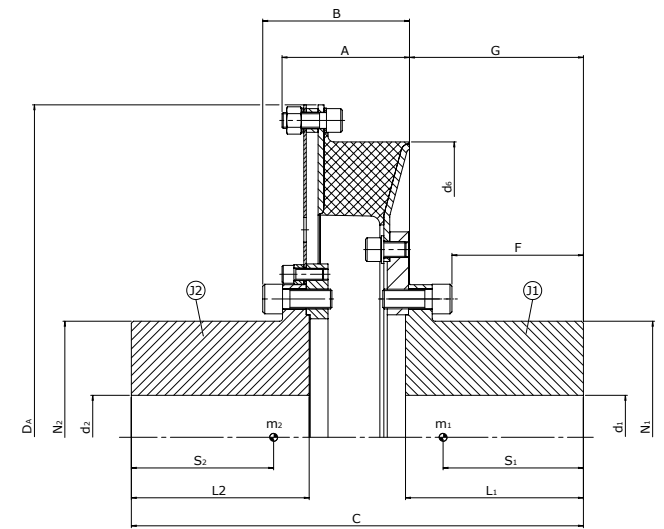
SERIES 00-GSS1

ARTICLE CODE: 020G-____-SS10

SHAFT-SHAFT

ONE RING ELEMENT AND MEMBRANE

OUTER HUB



DIMENSIONS

↓ SIZES 52-85

Size	T_{KN} [kNm]	Dimensions										Distance centre of gravity, moments of inertia and masses						
		A	B	C	$d_1 - d_2$ max	d_6	F	G	$L_1 - L_2$	$N_1 - N_2$	D_A	S_1	S_2	J_1 [kgm ²]	J_2 [kgm ²]	m_1 [kg]	m_2 [kg]	m_{total}
00052	2,25-3,5	107	112	333	115	380	97	124	125	160	466,7	99,0	100,5	0,22	0,37	20,0	22,8	42,8
00056	2,9-4,4	108	113	334	115	380	97	124	125	160	466,7	100,0	101,0	0,23	0,38	20,3	23,1	43,4
00064	5,5-6,5	114,5	128,5	370,5	118	418	110	136,5	140	165	466,7	112,5	116,0	0,32	0,54	24,6	30,0	54,6
00066	7,5-9	108,5	118	389	130	477	120,5	150,5	155	185	571,5	121,0	125,5	0,58	1,08	34,5	40,3	74,8
00070	11,5-13	111,5	134,5	409	150	540	117	157,5	160	210	584	129,5	127,5	1,08	1,33	48,9	49,3	98,2
00072	15-18	129	148,5	457,5	165	598	133	176	180	235	673,1	142,0	144,0	1,79	2,57	67,1	72,8	139,9
00075	20-25	143	164	511	170	650	148	199	200	235	733,4	170,0	167,5	2,78	4,08	85,9	91,3	177,2
00078	31,5-40	154	175	562	200	730	168	219	220	278	800	182,5	177,0	4,82	6,43	119,2	121,0	240,2
00080	40-50	167,5	204	637	215	820	185	248	250	303	885	206,0	203,0	8,26	11,10	168,1	175,6	343,7
00081	50-63	173	202	668	232	820	203	263	265	325	920	213,0	215,0	8,25	13,91	176,2	207,2	383,4
00082	63-80	194,5	225,5	717,5	280	1000	215	277	280	388	1105	225,0	223,0	18,84	27,32	268,2	280,7	548,9
00084	80-100	194	225	717	280	1000	215	277	280	388	1105	227,0	225,0	20,22	28,62	273,8	286,3	560,1
00085	90-115	199	225	719	280	1000	215	279	280	388	1070	229,0	229,0	20,21	29,99	281,7	313,2	594,9
00088	110-140	227	258	992	320	1160	316	418	385	450	1260	316,5	292,5	56,70	56,34	517,6	473,5	991,1
00090	145-180	226,5	257,5	1021,5	345	1230	331	433	400	485	1330	322,5	300,0	69,03	71,03	583,9	542,2	1126,1

CENTAX-SEC

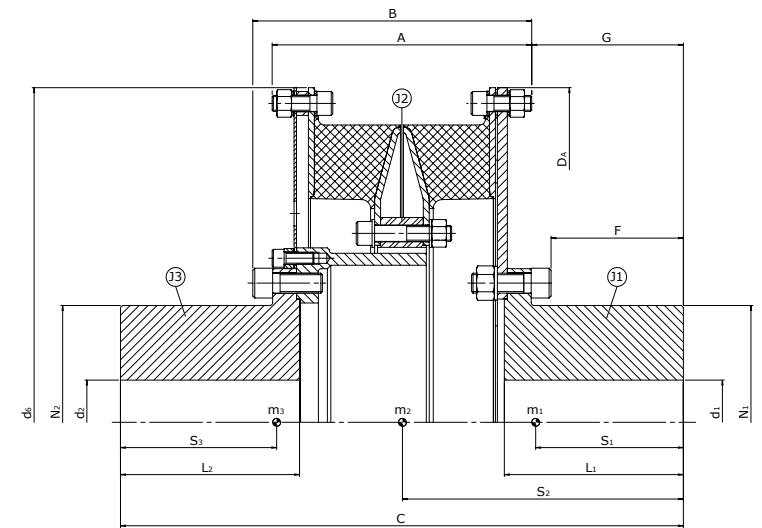
SERIES 00-GSS2

ARTICLE CODE: 020G-____-SS20

SHAFT-SHAFT

TWO RING ELEMENTS AND MEMBRANE

OUTER HUB



DIMENSIONS

↓ SIZES 52-85

Size	T _{KN} [kNm]	Dimensions										Distance centre of gravity, moments of inertia and masses													
		A	B	C	d ₁ - d ₂ max	d ₆	F	G	L ₁ - L ₂	N ₁ - N ₂	D _A	S ₁	S ₂	S ₃	J ₁	J ₂	J ₃	m ₁	m ₂	m ₃	m _{total}				
																	[kgm ²]					[kg]			
00052	2,25-3,5	212	217	421	115	466,7	97	107	125	160	466,7	102,5	210,0	108,5	0,48	0,23	0,40	24,3	9,7	25,2	59,2				
00056	2,9-4,4	214	219	423	115	466,7	97	107	125	160	466,7	103,5	212,0	109,5	0,49	0,25	0,41	24,6	10,3	25,6	60,5				
00064	5,5-6,5	231	245	470	118	466,7	105,5	119,5	140	165	466,7	119,0	234,5	126,5	0,65	0,42	0,56	32,6	17,2	33,5	83,3				
00066	7,5-9	219	228,5	479	130	571,5	120,5	130	155	185	571,5	130,5	238,5	139,0	1,50	0,70	1,20	46,9	18,7	47,7	113,3				
00070	11,5-13	226	249	508	150	584,0	117	142	160	210	584,0	133,5	254,5	144,0	1,90	1,28	1,54	57,4	26,8	59,4	143,6				
00072	15-18	261	280,5	566	165	673,1	133	152,5	180	235	673,1	148,5	282,5	157,0	3,47	2,05	2,84	81,5	34,9	82,4	198,8				
00075	20-25	289	310	627	170	733,4	148	169	200	235	733,4	172,0	312,5	181,0	5,38	3,69	4,42	102,0	55,8	103,2	261,0				
00078	31,5-40	312	333	692	200	800	168	191	220	278	800	184,5	346,0	194,5	8,61	6,71	7,10	139,4	84,9	139,8	364,1				
00080	40-50	338	374,5	784	215	885	185	224,5	250	303	885	212,0	392,5	221,5	15,39	11,08	12,21	203,2	109,6	199,6	512,4				
00081	50-63	344	373	816	232	920	203	240	265	325	920	226,0	407,0	231,0	19,08	11,70	14,43	244,2	140,4	233,5	618,1				
00082	63-80	387	418	883	280	1105	215	250	280	388	1105	232,0	440,0	243,0	37,17	25,18	29,72	326,0	181,9	317,1	825,0				
00084	80-100	386	417	882	280	1105	215	250	280	388	1105	233,5	439,5	245,0	38,42	27,92	31,02	331,4	193,0	322,7	847,1				
00085	90-115	396	422	882	280	1070	215	245	280	388	1070	234,5	439,5	246,5	36,47	27,64	32,11	339,8	203,8	351,9	895,5				
00088	110-140	475	506	1176	320	1260	316	354	385	450	1260	308,0	588,0	319,5	78,67	74,80	63,67	547,8	345,9	542,9	1436,6				
00090	145-180	475	506	1206	345	1330	331	369	400	485	1330	317,0	603,0	325,0	100,25	93,19	78,36	633,8	397,5	611,6	1642,9				

CENTAX-SEC

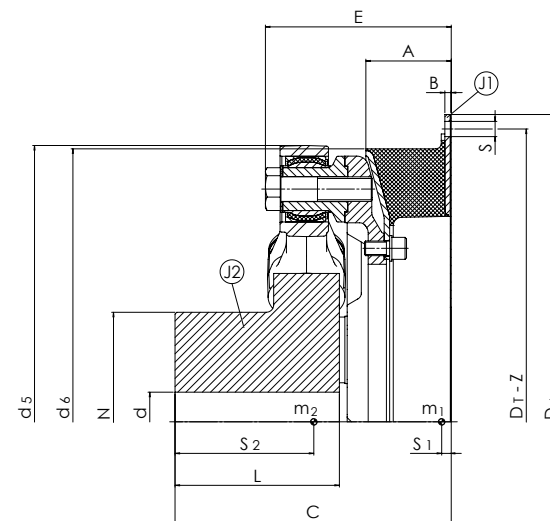
SERIES 00-LFS1

ARTICLE CODE: 016L-____-FS10

FLYWHEEL-SHAFT

ONE RING ELEMENT AND LINK COUPLING

OUTER HUB



DIMENSIONS

↓ SIZES 52-85

Size	T _{KN} [kNm]	Dimensions									SAE J620	Flange dimensions				Distance centre of gravity, moments of inertia and masses						
		A	B	C	d _{max}	d ₅	d ₆	E	L	N		D _A [h7]	D _T	Z	S	S ₁	S ₂	J ₁ [kgm ²]	J ₂ [kgm ²]	m ₁ [kg]	m ₂ [kg]	m _{total}
00052	2,25-3,5	79	5	225	100	382	380	158,5	125	140	14	466,7	438,2	16x22,5°	13 M12	6,5	112,0	0,16	0,41	4,7	27,1	31,8
00056	2,9-4,4	80	5	226	100	382	380	159,5	125	140	14	466,7	438,2	16x22,5°	13 M12	7,5	113,0	0,17	0,42	4,9	27,6	32,5
00064	5,5-6,5	87,5	6	247	110	403	418	165,5	140	154	14	466,7	438,2	16x22,5°	13 M12	10,0	126,0	0,24	0,70	7,2	41,4	48,6
00067	6,0-7,2	87	5	246,5	110	403	418	165	140	154	18	571,5	542,9	12x30°	17 M16	6,5	130,5	0,44	0,74	9,8	40,7	50,5
00066	7,5-9	77	6	252	135	440	477	155,5	155	200	18	571,5	542,9	12x30°	17 M16	7,5	128,0	0,46	1,12	8,9	53,3	62,2
00069*	11-13	85,5	7	273	150	547	540	194	160	210	18	571,5	542,9	6x60°	17 M16	11,5	140,0	0,57	2,43	9,9	78,5	88,4
00071	11,5-13	85	6	272,5	150	547	540	193,5	160	210	21	673,1	641,4	24x15°	17 M16	7,0	141,0	0,93	2,49	12,9	79,4	92,3
00072	15-18	93,5	7	302,5	165	605	598	203,5	180	240	21	673,1	641,4	24x15°	17 M16	10,5	152,0	1,12	4,28	14,9	115,8	130,7
00075	20-25	106	10	332,5	170	615	650	213,5	200	270	24	733,4	692,2	24x15°	19 M18	12,0	167,5	2,12	6,02	24,5	152,4	176,9
00078	31,5-40	117	10	378,5	200	740	730	269	220	300	-	800	770	32x11,25°	19 M18	14,5	189,0	3,10	11,75	29,6	212,0	241,6
00080	40-50	132	12	416,5	240	785	820	277	250	340	-	885	855	48x7,5°	17 M16	15,5	212,0	5,64	18,13	42,4	275,3	317,7
00081	50-63	133	12	417,5	240	785	820	278	250	340	-	920	880	32x11,25°	19 M18	14,0	222,0	7,19	19,68	57,7	304,5	362,2
00082	63-80	149,5	12	459,5	280	898	1000	290	280	390	-	1105	1060	32x11,25°	21 M20	14,5	236,0	13,61	36,61	69,2	418,8	488,0
00084	80-100	149	12	459	280	898	1000	289,5	280	390	-	1105	1060	32x11,25°	21 M20	16,0	238,0	14,74	38,15	74,1	425,0	499,1
00085	90-115	149	12	459	280	898	1000	289,5	280	390	-	1070	1025	32x11,25°	23,5 M22	17,0	240,5	13,37	38,45	73,0	435,5	508,5

* This size only for engines turning left with view onto the flywheel!

CENTAX-SEC

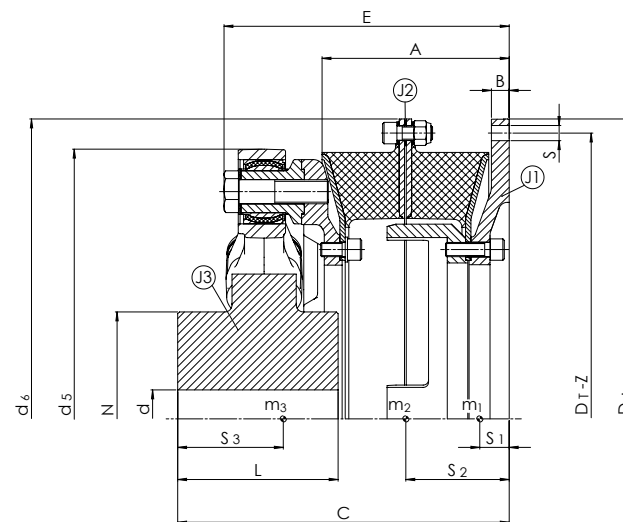
SERIES 00-LFS2

ARTICLE CODE: 016L-____-FS20

FLYWHEEL-SHAFT

TWO RING ELEMENTS AND LINK COUPLING

INNER HUB



DIMENSIONS		↓ SIZES 52-88																							
Size	T _{KN} [kNm]	Dimensions									Flange dimensions				Distance centre of gravity, moments of inertia and masses										
		A	B	C	d _{max}	d ₅	d ₆	E	L	N	SAE J620	D _A [h7]	D _T	Z	S	S ₁	S ₂	S ₃	J ₁	J ₂	J ₃	m ₁	m ₂	m ₃	m _{total}
00052	2,25-3,5	168,5	6	282,5	100	382	466,7	248	125	147	14	466,7	438,2	16x22,5°	13 M12	32,5	89,0	88,0	0,42	0,36	0,41	17,4	9,6	28,1	55,1
00056	2,9-4,4	170,5	6	284,5	100	382	466,7	250	125	147	14	466,7	438,2	16x22,5°	13 M12	32,5	90,0	88,5	0,43	0,38	0,43	17,7	10,2	28,5	56,4
00064	5,5-6,5	183	6	307	110	403	466,7	261	140	176	14	466,7	438,2	16x22,5°	13 M12	28,0	95,0	98,5	0,48	0,57	0,73	19,4	15,9	43,7	79,0
00066	7,5-9	174	18	316	135	440	571,5	252,5	155	200	18	571,5	542,9	12x30°	17 M16	29,5	96,0	108,0	1,70	1,17	1,12	38,9	20,3	53,3	112,5
00070	11,5-13	192	18	337,5	150	547	584	300,5	160	230	21	673,1	641,4	24x15°	17 M16	27,0	106,0	107,5	3,19	1,41	2,51	52,9	22,2	83,4	158,5
00072	15-18	210	20	372	165	605	673,1	320	180	240	21	673,1	641,4	24x15°	17 M16	33,0	116,0	118,5	3,98	2,55	4,28	62,5	31,5	115,9	209,9
00075	20-25	238	25	419,5	170	615	733,4	345,5	200	270	24	733,4	692,2	24x15°	19 M18	38,5	132,5	138,5	6,47	4,68	6,02	84,9	50,5	152,4	287,8
00078	31,5-40	260	25	466	200	740	800	412	220	300	-	800	770	32x11,25°	19 M18	41,5	143,0	151,5	10,31	6,89	11,75	114,2	61,4	212,0	387,6
00080	40-50	296	30	524	240	785	885	441	250	340	-	885	820	48x7,5°	17 M16	55,0	164,5	173,5	15,01	11,95	18,15	137,2	85,1	275,5	497,8
00081	50-63	298	30	526	240	785	920	443	250	340	-	920	880	32x11,25°	19 M18	40,5	165,5	181,0	22,83	15,20	19,50	226,6	115,0	297,4	639,0
00082	63-80	331	30	585	280	898	1105	471,5	280	390	-	1105	1060	32x11,25°	21 M20	44,0	182,0	197,0	48,63	28,16	36,64	304,8	136,1	419,6	860,5
00084	80-100	330	30	584	280	898	1105	470,5	280	390	-	1105	1060	32x11,25°	21 M20	44,5	181,5	199,0	50,17	30,38	38,18	311,1	145,6	425,9	882,6
00085	90-115	333	20	587	280	898	1070	473,5	280	390	-	1070	1025	32x11,25°	23,5 M22	44,5	184,5	201,0	43,48	28,72	38,48	292,3	148,4	436,2	876,9
00088	110-140	391	30	795	320	1032	1260	576,5	385	450	-	1260	1225	48x7,5°	21,5 M20	52,0	212,5	305,0	98,05	60,82	110,93	433,3	214,1	838,8	1486,2

CENTAX-SEC

SERIES 00-LFS2

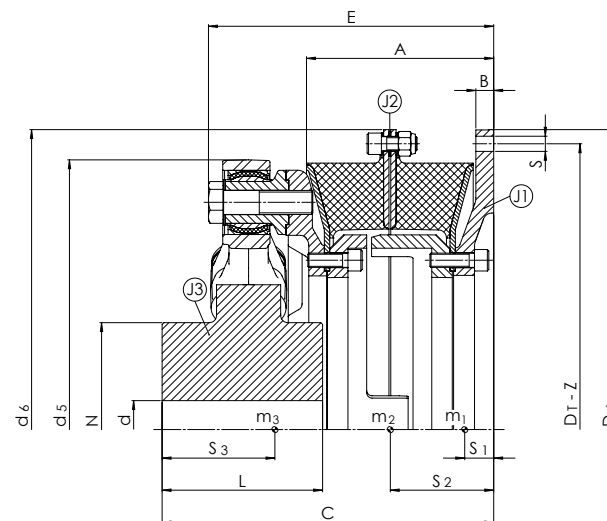
ARTICLE CODE: 016L-____-FS21

FLYWHEEL-SHAFT

TWO RING ELEMENTS AND LINK COUPLING

WITH FAILSAFE DEVICE

INNER HUB



DIMENSIONS

↓ SIZES 52-88

Size	T _{KN} [kNm]	Dimensions									flange dimension				Distance centre of gravity, moments of inertia and masses										
		A	B	C	d _{max}	d ₅	d ₆	E	L	N	SAE J620	D _A [h7]	D _T	Z	S	S ₁	S ₂	S ₃	J ₁	J ₂	J ₃	m ₁	m ₂	m ₃	m _{total}
00052	2,25-3,5	168,5	6	282,5	100	382	466,7	248	125	147	14	466,7	438,2	16x22,5°	13 M12	32,5	89,0	96,0	0,41	0,36	0,47	17,4	9,6	32,3	59,3
00056	2,9-4,4	170,5	6	284,5	100	382	466,7	250	125	147	14	466,7	438,2	16x22,5°	13 M12	32,5	90,0	96,5	0,43	0,38	0,49	17,7	10,2	32,7	60,6
00064	5,5-6,5	183	6	307	110	403	466,7	261	140	176	14	466,7	438,2	16x22,5°	13 M12	28,0	95,0	105,5	0,47	0,57	0,80	19,0	15,9	48,5	83,4
00066	7,5-9	174	18	316	135	440	571,5	252,5	155	200	18	571,5	542,9	12x30°	17 M16	29,5	96,0	114,5	1,70	1,17	1,24	38,9	20,3	58,8	118,0
00070	11,5-13	192	18	337,5	150	547	584	300,5	160	230	21	673,1	641,4	24x15°	17 M16	26,5	106,0	114,0	3,17	1,41	2,74	52,2	22,2	90,6	165,0
00072	15-18	210	20	372	165	605	673,1	320	180	240	21	673,1	641,4	24x15°	17 M16	32,5	116,0	126,5	3,97	2,55	4,72	62,5	31,5	126,8	220,8
00075	20-25	238	25	419,5	170	615	733,4	345,5	200	270	24	733,4	692,2	24x15°	19 M18	37,5	132,5	144,5	6,43	4,68	6,44	84,1	50,5	162,4	297,0
00078	31,5-40	260	25	466	200	740	800	412	220	300	-	800	770	32x11,25°	19 M18	40,5	143,0	159,5	10,24	6,89	12,63	113,1	61,4	228,0	402,5
00080	40-50	296	30	524	240	785	885	441	250	340	-	885	820	48x7,5°	17 M16	54,0	164,5	183,5	14,90	11,95	19,78	135,8	85,1	298,8	519,7
00081	50-63	298	30	526	240	785	920	443	250	340	-	920	880	32x11,25°	19 M18	40,0	165,5	189,0	22,77	15,20	20,36	225,5	115,0	317,6	658,1
00082	63-80	331	30	585	280	898	1105	471,5	280	390	-	1105	1060	32x11,25°	21 M20	42,5	182,0	206,5	48,37	28,16	39,79	302,3	136,1	451,6	890,0
00084	80-100	330	30	584	280	898	1105	470,5	280	390	-	1105	1060	32x11,25°	21 M20	43,5	181,5	208,0	49,91	30,38	41,33	308,6	145,6	457,9	912,1
00085	90-115	333	20	587	280	898	1070	473,5	280	390	-	1070	1025	32x11,25°	23,5 M22	44,0	184,5	198,5	43,38	28,72	40,52	291,3	148,4	459,7	899,4
00088	110-140	391	30	795	320	1032	1260	576,5	385	450	-	1260	1225	48x7,5°	21,5 M20	51,5	212,5	319,0	97,88	60,82	121,60	432,1	214,1	908,7	1554,9

CENTAX-SEC

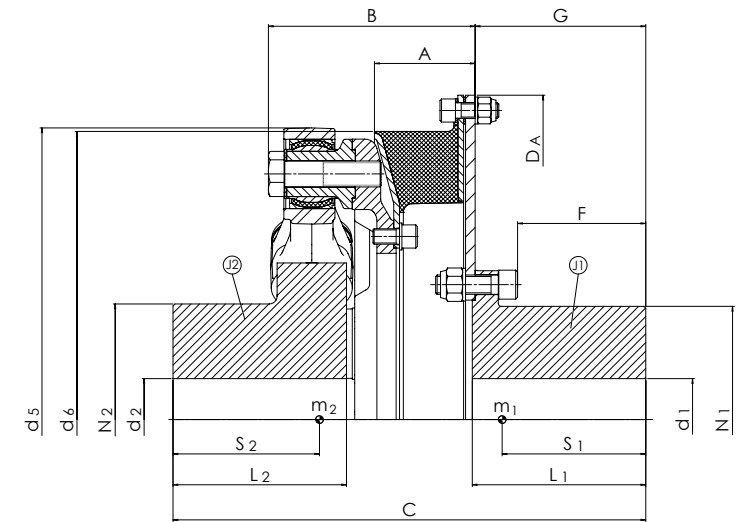
SERIES 00-LSS1

ARTICLE CODE: 016L-____-SS10

SHAFT-SHAFT

ONE RING ELEMENT AND LINK COUPLING

OUTER HUB



DIMENSIONS

↓ SIZES 52-85

Size	T _{KN} [kNm]	Dimensions														Distance centre of gravity, moments of inertia and masses						
		A	B	C	d ₁ max	d ₂ max	d ₅	d ₆	F	G	L ₁	L ₂	N ₁	N ₂	D _A	S ₁	S ₂	J ₁ [kgm ²]	J ₂ [kgm ²]	m ₁ [kg]	m ₂ [kg]	m _{total} [kg]
00052	2,25-3,5	86	165,5	355	115	100	382	380	97	123	125	125	160	140	466,7	102,5	112,0	0,48	0,41	24,5	27,1	51,6
00056	2,9-4,4	87	166,5	356	115	100	382	380	97	123	125	125	160	140	466,7	103,0	113,0	0,50	0,42	24,8	27,6	52,4
00064	5,5-6,5	96,5	174,5	393,5	118	110	403	418	105,5	137,5	140	140	165	154	466,7	119,0	126,0	0,66	0,70	32,6	41,4	74,0
00066	7,5-9	86	164,5	413,5	130	135	440	477	120,5	152,5	155	155	185	200	571,5	130,5	128,0	1,54	1,12	47,8	53,3	101,1
00070	11,5-13	96,5	205	441	150	150	547	540	117	157	160	160	210	230	584	134,0	134,5	1,92	2,51	58,3	83,4	141,7
00072	15-18	104,5	214,5	490,5	165	165	605	598	133	177	180	180	235	240	673,1	149,0	152,0	3,50	4,28	82,4	115,8	198,2
00075	20-25	116	223,5	538,5	170	170	615	650	148	196	200	200	235	270	733,4	172,5	167,5	5,46	6,02	104,0	152,4	256,4
00078	31,5-40	129	281	606,5	200	200	740	730	168	216	220	220	278	300	800	185,5	189,0	8,80	11,75	141,6	212,0	353,6
00080	40-50	147	292	676,5	215	240	785	820	185	245	250	250	303	340	885	212,0	212,0	15,54	18,13	205,3	275,3	480,6
00081	50-63	148	293	692,5	232	240	785	820	203	260	265	250	325	340	920	224,5	222,0	19,04	19,68	242,5	304,5	547,0
00082	63-80	164,5	305	749,5	280	280	898	1000	215	275	280	280	388	390	1105	232,0	236,0	37,16	36,61	326,9	418,8	745,7
00084	80-100	164	304,5	749	280	280	898	1000	215	275	280	280	388	390	1105	233,0	238,0	38,28	38,15	331,7	425,0	756,7
00085	90-115	164	304,5	749	280	280	898	1000	215	275	280	280	388	390	1070	233,0	240,5	36,19	38,45	335,0	435,5	770,5

CENTAX-SEC

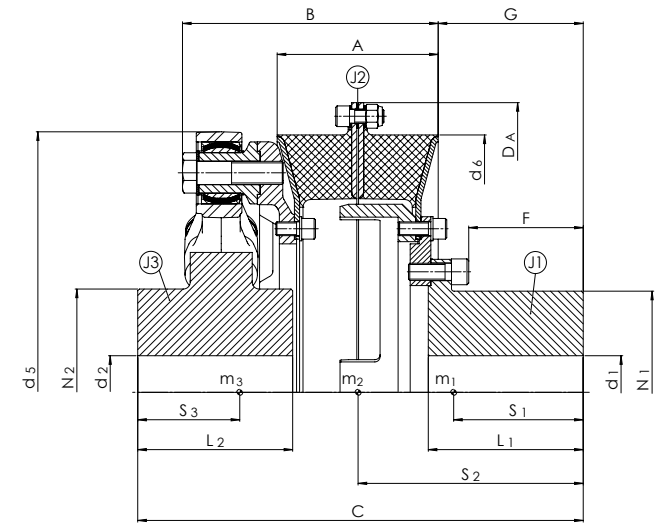
SERIES 00-LSS2

ARTICLE CODE: 016L-____-SS20

SHAFT-SHAFT

TWO RING ELEMENTS AND LINK COUPLING

INNER HUB



DIMENSIONS		↓ SIZES 52-85																									
Size	T _{KN} [kNm]	Dimensions														Distance centre of gravity, moments of inertia and masses											
		A	B	C	d ₁ max	d ₂ max	d ₅	d ₆	F	G	L ₁	L ₂	N ₁	N ₂	D _A	S ₁	S ₂	S ₃	J ₁	J ₂	J ₃	m ₁	m ₂	m ₃	m _{total}		
		[kgm ²]																							[kg]		
00052	2,25-3,5	158	237,5	390	115	100	382	380	97	118	125	125	160	147	466,7	115,0	196,5	88,0	0,33	0,36	0,41	26,7	9,6	28,1	64,4		
00056	2,9-4,4	160	239,5	392	115	100	382	380	97	118	125	125	160	147	466,7	115,5	197,5	88,5	0,34	0,38	0,43	27,1	10,2	28,5	65,8		
00064	5,5-6,5	175	253	420	118	110	403	418	110	121	140	140	165	176	466,7	115,0	208,0	98,5	0,37	0,57	0,73	27,4	15,9	43,7	87,0		
00066	7,5-9	154	232,5	442,5	130	135	440	477	120,5	146,5	155	155	185	200	571,5	133,5	222,5	108,0	0,80	1,17	1,12	43,2	20,3	53,3	116,8		
00070	11,5-13	171	279,5	467,5	150	150	547	540	117	151	160	160	210	230	584,0	136,0	236,0	107,5	1,31	1,41	2,51	55,3	22,2	83,4	160,9		
00072	15-18	187	297	517,5	165	165	605	598	133	168,5	180	180	235	240	673,1	150,5	261,5	118,5	2,17	2,55	4,28	76,5	31,5	115,9	223,9		
00075	20-25	210	317,5	575,5	170	170	615	650	148	184	200	200	235	270	733,4	171,0	288,5	138,5	3,07	4,68	6,02	90,3	50,5	152,4	293,2		
00078	31,5-40	232	384	646,5	200	200	740	730	168	208,5	220	220	278	300	800	187,0	323,5	151,5	5,41	6,89	11,75	127,2	61,4	212,0	400,6		
00080	40-50	262	407	719,5	215	240	785	820	185	229,5	250	250	303	340	885	209,5	360,0	173,5	9,43	11,95	18,15	180,0	85,1	275,5	540,6		
00081	50-63	264	409	755	232	240	785	820	203	263	265	250	325	340	920	225,0	394,5	181,0	8,95	15,20	19,50	182,1	115,0	297,4	594,5		
00082	63-80	297	437,5	811,5	280	280	898	1000	215	260,5	280	280	388	390	1105	230,0	408,5	197,0	21,37	28,16	36,64	289,2	136,1	419,6	844,9		
00084	80-100	296	436,5	810,5	280	280	898	1000	215	260,5	280	280	388	390	1105	232,0	408,0	199,0	22,91	30,38	38,18	295,5	145,6	425,9	867,0		
00085	90-115	296	436,5	829	280	280	898	1000	215	279	280	280	388	390	1070	242,0	426,5	201,0	23,87	28,72	38,48	322,4	148,4	436,2	907,0		

CENTAX-SEC

SERIES 100-G

ARTICLE CODE: 038G-____-__1_



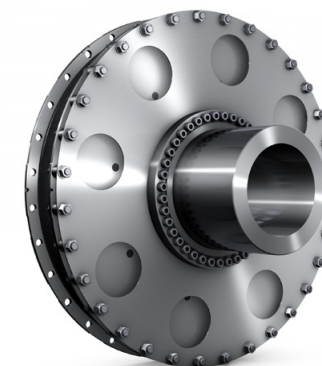
ONE RING ELEMENT AND MEMBRANE

TECHNICAL DATA			↓ SIZES 176-186				→ SIZES 187-194						
1	2	3	4	5	6	7	8	9	10	11	12	13	14
Size	Rubber quality	Nominal torque	Maximum torque	Continuous vibratory torque	Permissible power loss	Dynamic torsional stiffness	Relative damping	Speed	Permissible axial displacement	Axial stiffness	Permissible radial displacement	Radial stiffness	Permissible angular displacement
	[Shore A]	T_{KN} [kNm]	T_{Kmax} [kNm]	T_{KW} [kNm]	P_{KV} [kW]	C_{Tdyn} [kNm/rad]	Ψ	n_{max} [min ⁻¹]	ΔK_a [mm]	C_a [kN/mm]	ΔK_r [mm]	C_{rdyn} [kN/mm]	ΔK_w [°]
00176	50	25,00	75,00	6,25	0,65	165,00	1,05	2200	± 6	1,12	5,50	3,50	0,50
	60	30,00	90,00	7,50	0,68	210,00	1,10						
	70	33,00	99,00	8,25	0,72	360,00	1,15						
00177	50	31,50	94,50	7,88	0,71	230,00	1,05	2000	± 6	1,20	6,00	3,90	0,50
	60	37,50	112,50	9,38	0,75	290,00	1,10						
	70	44,00	132,00	11,00	0,78	510,00	1,15						
00179	50	40,00	120,00	10,00	0,78	290,00	1,05	1870	± 6	1,15	7,00	4,20	0,50
	60	48,00	144,00	12,00	0,82	365,00	1,10						
	70	55,00	165,00	13,75	0,86	640,00	1,15						
00181	50	50,00	150,00	12,50	0,85	340,00	1,05	1725	± 7	1,15	7,00	4,20	0,50
	60	60,00	180,00	15,00	0,89	430,00	1,10						
	70	70,00	210,00	17,50	0,94	748,00	1,15						
00183	50	63,00	189,00	15,75	0,93	445,00	1,05	1600	± 7	1,18	7,50	4,80	0,50
	60	80,00	240,00	20,00	0,98	555,00	1,10						
	70	90,00	270,00	22,50	1,02	975,00	1,15						
00184	50	80,00	240,00	20,00	1,02	600,00	1,05	1500	± 7	1,18	8,00	5,00	0,50
	60	100,00	300,00	25,00	1,07	750,00	1,10						
	70	110,00	330,00	27,50	1,12	1320,00	1,15						
00185	50	100,00	300,00	25,00	1,12	720,00	1,05	1300	± 8	1,19	8,00	5,30	0,50
	60	125,00	375,00	31,25	1,17	900,00	1,10						
	70	145,00	435,00	36,25	1,23	1580,00	1,15						
00186	50	125,00	375,00	31,25	1,21	875,00	1,05	1200	± 9	1,20	8,00	5,70	0,50
	60	160,00	480,00	40,00	1,27	1090,00	1,10						
	70	180,00	540,00	45,00	1,33	1920,00	1,15						

CENTAX-SEC

SERIES 100-G

ARTICLE CODE: 038G-____-__1__



ONE RING ELEMENT AND MEMBRANE

TECHNICAL DATA		↓ SIZES 187-194				← SIZES 176-186							
1	2	3	4	5	6	7	8	9	10	11	12	13	14
Size	Rubber quality [Shore A]	Nominal torque T_{KN} [kNm]	Maximum torque T_{Kmax} [kNm]	Continuous vibratory torque T_{KW} [kNm]	Permissible power loss P_{KV} [kW]	Dynamic torsional stiffness C_{Tdyn} [kNm/rad]	Relative damping ψ	Speed n_{max} [min ⁻¹]	Permissible axial displacement ΔK_a [mm]	Axial stiffness C_a [kN/mm]	Permissible radial displacement ΔK_r [mm]	Radial stiffness C_{rdyn} [kN/mm]	Permissible angular displacement ΔK_w [°]
00187	50	180,00	540,00	45,00	1,40	1250,00	1,05	1100	± 9	1,20	8,00	7,30	0,50
	60	220,00	660,00	55,00	1,47	1560,00	1,10						
	70	250,00	750,00	62,50	1,54	2745,00	1,15						
00188	50	220,00	660,00	55,00	1,55	1430,00	1,05	1000	± 9	1,20	8,00	8,10	0,50
	60	260,00	780,00	65,00	1,63	1790,00	1,10						
	70	280,00	840,00	70,00	1,71	3175,00	1,15						
00190	50	275,00	825,00	68,75	1,69	1870,00	1,05	900	± 13	1,25	8,00	8,10	0,50
	60	330,00	990,00	82,50	1,78	2340,00	1,10						
	70	370,00	1110,00	92,50	1,86	4110,00	1,15						
00192	50	320,00	960,00	80,00	1,80	2500,00	1,05	850	± 14	1,30	8,00	9,00	0,50
	60	400,00	1200,00	100,00	1,89	3125,00	1,10						
	70	440,00	1320,00	110,00	1,98	5500,00	1,15						
00193	50	380,00	1140,00	95,00	1,93	3000,00	1,05	800	± 14	1,40	8,00	10,20	0,50
	60	460,00	1380,00	115,00	2,03	3750,00	1,10						
	70	510,00	1530,00	127,50	2,12	6600,00	1,15						
00194	50	440,00	1320,00	110,00	2,05	3360,00	1,05	750	± 15	1,70	8,00	10,50	0,50
	60	530,00	1590,00	132,50	2,15	4200,00	1,10						
	70	585,00	1755,00	146,25	2,25	7400,00	1,15						

CENTAX-SEC

SERIES 100-G

ARTICLE CODE: 038G-____-__2_



TWO RING ELEMENTS AND MEMBRANE

TECHNICAL DATA		↓ SIZES 176-186				→ SIZES 187-194							
1	2	3	4	5	6	7	8	9	10	11	12	13	14
Size	Rubber quality	Nominal torque	Maximum torque	Continuous vibratory torque	Permissible power loss	Dynamic torsional stiffness	Relative damping	Speed	Permissible axial displacement	Axial stiffness	Permissible radial displacement	Radial stiffness	Permissible angular displacement
	[Shore A]	T_{KN} [kNm]	T_{Kmax} [kNm]	T_{KV} [kNm]	P_{KV} [kW]	C_{Tdyn} [kNm/rad]	Ψ	n_{max} [min ⁻¹]	ΔK_a [mm]	C_a [kN/mm]	ΔK_r [mm]	C_{rdyn} [kN/mm]	ΔK_w [°]
00176	50	25,00	75,00	6,25	1,30	83,00	1,05	2200	± 6	1,12	11,00	1,80	0,50
	60	30,00	90,00	7,50	1,37	105,00	1,10						
	70	33,00	99,00	8,25	1,43	180,00	1,15						
00177	50	31,50	94,50	7,88	1,42	115,00	1,05	2000	± 6	1,20	12,00	2,00	0,50
	60	37,50	112,50	9,38	1,49	145,00	1,10						
	70	44,00	132,00	11,00	1,56	255,00	1,15						
00179	50	40,00	120,00	10,00	1,56	145,00	1,05	1870	± 6	1,15	14,00	2,10	0,50
	60	48,00	144,00	12,00	1,64	183,00	1,10						
	70	55,00	165,00	13,75	1,72	320,00	1,15						
00181	50	50,00	150,00	12,50	1,70	170,00	1,05	1725	± 7	1,15	14,00	2,10	0,50
	60	60,00	180,00	15,00	1,79	215,00	1,10						
	70	70,00	210,00	17,50	1,87	374,00	1,15						
00183	50	63,00	189,00	15,75	1,86	223,00	1,05	1600	± 7	1,18	15,00	2,40	0,50
	60	80,00	240,00	20,00	1,95	278,00	1,10						
	70	90,00	270,00	22,50	2,05	488,00	1,15						
00184	50	80,00	240,00	20,00	2,04	300,00	1,05	1500	± 7	1,18	16,00	2,50	0,50
	60	100,00	300,00	25,00	2,14	375,00	1,10						
	70	110,00	330,00	27,50	2,24	660,00	1,15						
00185	50	100,00	300,00	25,00	2,24	360,00	1,05	1300	± 8	1,19	16,00	2,70	0,50
	60	125,00	375,00	31,25	2,34	450,00	1,10						
	70	145,00	435,00	36,25	2,46	790,00	1,15						
00186	50	125,00	375,00	31,25	2,42	438,00	1,05	1200	± 9	1,20	16,00	2,90	0,50
	60	160,00	480,00	40,00	2,54	545,00	1,10						
	70	180,00	540,00	45,00	2,66	960,00	1,15						

CENTAX-SEC

SERIES 100-G

ARTICLE CODE: 038G-____-__2_



TWO RING ELEMENTS AND MEMBRANE

TECHNICAL DATA		↓ SIZES 187-194				← SIZES 176-186							
1	2	3	4	5	6	7	8	9	10	11	12	13	14
Size	Rubber quality	Nominal torque	Maximum torque	Continuous vibratory torque	Permissible power loss	Dynamic torsional stiffness	Relative damping	Speed	Permissible axial displacement	Axial stiffness	Permissible radial displacement	Radial stiffness	Permissible angular displacement
	[Shore A]	T_{KN} [kNm]	T_{Kmax} [kNm]	T_{KV} [kNm]	P_{KV} [kW]	C_{Tdyn} [kNm/rad]	Ψ	n_{max} [min ⁻¹]	ΔK_a [mm]	C_a [kN/mm]	ΔK_r [mm]	C_{rdyn} [kN/mm]	ΔK_w [°]
00187	50	180,00	540,00	45,00	2,80	625,00	1,05	1100	± 9	1,20	16,00	3,70	0,50
	60	220,00	660,00	55,00	2,94	780,00	1,10						
	70	250,00	750,00	62,50	3,08	1373,00	1,15						
00188	50	220,00	660,00	55,00	3,10	715,00	1,05	1000	± 9	1,20	16,00	4,10	0,50
	60	260,00	780,00	65,00	3,26	895,00	1,10						
	70	280,00	840,00	70,00	3,41	1588,00	1,15						
00190	50	275,00	825,00	68,75	3,25	935,00	1,05	900	± 13	1,25	16,00	4,00	0,50
	60	330,00	990,00	82,50	3,41	1170,00	1,10						
	70	370,00	1110,00	92,50	3,58	2055,00	1,15						
00192	50	320,00	960,00	80,00	3,20	1250,00	1,05	850	± 14	1,30	16,00	4,50	0,50
	60	400,00	1200,00	100,00	3,36	1562,50	1,10						
	70	440,00	1320,00	110,00	3,52	2750,00	1,15						
00193	50	380,00	1140,00	95,00	3,70	1500,00	1,05	800	± 14	1,40	16,00	5,10	0,50
	60	460,00	1380,00	115,00	3,89	1875,00	1,10						
	70	510,00	1530,00	127,50	4,07	3300,00	1,15						
00194	50	440,00	1320,00	110,00	3,71	1680,00	1,05	750	± 15	1,70	16,00	5,30	0,50
	60	530,00	1590,00	132,50	3,90	2100,00	1,10						
	70	585,00	1755,00	146,25	4,08	3700,00	1,15						

CENTAX-SEC

SERIES 100-L

ARTICLE CODE: 039L-_____-__1_



ONE RING ELEMENT AND LINK COUPLING

TECHNICAL DATA			↓ SIZES 176-184										
1	2	3	4	5	6	7	8	9	10	11	12	13	14
Size	Rubber quality	Nominal torque	Maximum torque	Continuous vibratory torque	Permissible power loss	Dynamic torsional stiffness	Relative damping	Speed	Permissible axial displacement	Axial stiffness	Permissible radial displacement	Radial stiffness	Permissible angular displacement
	[Shore A]	T_{KN} [kNm]	T_{Kmax} [kNm]	T_{KW} [kNm]	P_{KV} [kW]	C_{Tdyn} [kNm/rad]	ψ	n_{max} [min ⁻¹]	ΔK_a [mm]	C_a [kN/mm]	ΔK_r [mm]	C_{rdyn} [kN/mm]	ΔK_w [°]
00176	50	25,00	75,00	6,25	0,65	165,00	1,05	2200	± 13	0,75	5,50	3,50	1
	60	30,00	90,00	7,50	0,68	210,00	1,10						
	70	33,00	99,00	8,25	0,72	360,00	1,15						
00177	50	31,50	94,50	7,88	0,71	230,00	1,05	2000	± 18	1,10	6,00	3,90	1
	60	37,50	112,50	9,38	0,75	290,00	1,10						
	70	44,00	132,00	11,00	0,78	510,00	1,15						
00179	50	40,00	120,00	10,00	0,78	290,00	1,05	1870	± 18	1,10	7,00	4,20	1
	60	48,00	144,00	12,00	0,82	365,00	1,10						
	70	55,00	165,00	13,75	0,86	640,00	1,15						
00181	50	50,00	150,00	12,50	0,85	340,00	1,05	1725	± 18	1,10	7,00	4,20	1
	60	60,00	180,00	15,00	0,89	430,00	1,10						
	70	70,00	210,00	17,50	0,94	748,00	1,15						
00183	50	63,00	189,00	15,75	0,93	445,00	1,05	1600	± 18	1,10	7,50	4,80	1
	60	80,00	240,00	20,00	0,98	555,00	1,10						
	70	90,00	270,00	22,50	1,02	975,00	1,15						
00184	50	80,00	240,00	20,00	1,02	600,00	1,05	1500	± 18	1,10	8,00	5,00	1
	60	100,00	300,00	25,00	1,07	750,00	1,10						
	70	110,00	330,00	27,50	1,12	1320,00	1,15						

CENTAX-SEC

SERIES 100-L

ARTICLE CODE: 039L-_____-__2_



TWO RING ELEMENTS AND LINK COUPLING

TECHNICAL DATA			↓ SIZES 176-184										
1	2	3	4	5	6	7	8	9	10	11	12	13	14
Size	Rubber quality	Nominal torque	Maximum torque	Continuous vibratory torque	Permissible power loss	Dynamic torsional stiffness	Relative damping	Speed	Permissible axial displacement	Axial stiffness	Permissible radial displacement	Radial stiffness	Permissible angular displacement
	[Shore A]	T_{KN} [kNm]	T_{Kmax} [kNm]	T_{KW} [kNm]	P_{KV} [kW]	C_{Tdyn} [kNm/rad]	ψ	n_{max} [min ⁻¹]	ΔK_a [mm]	C_a [kN/mm]	ΔK_r [mm]	C_{rdyn} [kN/mm]	ΔK_w [°]
00176	50	25,00	75,00	6,25	1,30	83,00	1,05	2200	± 13	0,75	11,00	1,80	1
	60	30,00	90,00	7,50	1,37	105,00	1,10						
	70	33,00	99,00	8,25	1,43	180,00	1,15						
00177	50	31,50	94,50	7,88	1,42	115,00	1,05	2000	± 18	1,10	12,00	2,00	1
	60	37,50	112,50	9,38	1,49	145,00	1,10						
	70	44,00	132,00	11,00	1,56	255,00	1,15						
00179	50	40,00	120,00	10,00	1,56	145,00	1,05	1870	± 18	1,10	14,00	2,10	1
	60	48,00	144,00	12,00	1,64	183,00	1,10						
	70	55,00	165,00	13,75	1,72	320,00	1,15						
00181	50	50,00	150,00	12,50	1,70	170,00	1,05	1725	± 18	1,10	14,00	2,10	1
	60	60,00	180,00	15,00	1,79	215,00	1,10						
	70	70,00	210,00	17,50	1,87	374,00	1,15						
00183	50	63,00	189,00	15,75	1,86	223,00	1,05	1600	± 18	1,10	15,00	2,40	1
	60	80,00	240,00	20,00	1,95	278,00	1,10						
	70	90,00	270,00	22,50	2,05	488,00	1,15						
00184	50	80,00	240,00	20,00	2,04	300,00	1,05	1500	± 18	1,10	16,00	2,50	1
	60	100,00	300,00	25,00	2,14	375,00	1,10						
	70	110,00	330,00	27,50	2,24	660,00	1,15						

CENTAX-SEC

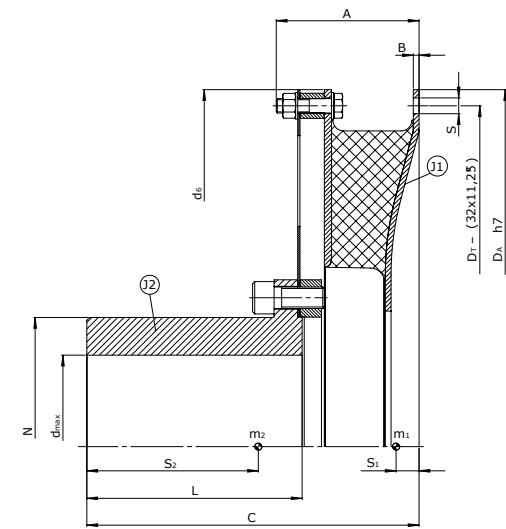
SERIES 100-GFS1

ARTICLE CODE: 038G-____-FS10

FLYWHEEL-SHAFT

ONE RING ELEMENT AND MEMBRANE

OUTER HUB



DIMENSIONS

↓ SIZES 176-194

Size	T _{KN} [kNm]	Dimensions							Flange dimensions			Distance centre of gravity, moments of inertia and masses								
		A	B	C	d _{max}	d ₆	L	N	D _A [h7]	D _T	S	S ₁	S ₂	J ₁	J ₂	m ₁	m ₂	m _{total}		
															[kgm ²]		[kg]			
00176	25-33	145,5	8	345,5	185	730	225	260	730	700	16 M14	22,0	182,0	2,3	4,3	30,9	103,7	134,6		
00177	31,5-44	162,0	8	363,0	200	790	235	280	790	755	18 M16	23,0	192,0	3,3	6,2	37,9	128,2	166,1		
00179	40-55	170,0	8	386,0	220	860	250	310	860	820	20 M18	25,0	199,0	4,6	8,8	44,9	155,4	200,3		
00181	50-70	193,0	8	442,0	235	920	285	330	920	880	20 M18	30,0	228,5	6,4	13,3	53,3	199,4	252,7		
00183	63-90	199,0	8	463,0	255	995	300	360	995	950	22 M20	32,0	239,0	8,8	18,8	63,1	252,1	315,2		
00184	80-110	208,0	8	482,0	275	1070	310	390	1070	1025	24 M22	36,0	246,0	12,3	26,6	75,2	309,0	384,2		
00185	100-145	234,0	10	561,0	300	1160	370	420	1160	1110	26 M24	40,0	288,0	20,3	39,9	106,1	391,9	498,0		
00186	125-180	242,0	10	584,0	320	1240	385	450	1240	1190	26 M24	42,0	298,0	26,9	52,0	123,0	461,1	584,1		
00187	180-250	254,0	10	612,0	340	1355	400	480	1355	1295	30 M27	47,0	314,0	40,9	77,9	157,0	582,0	739,0		
00188	220-280	307,0	12	740,0	370	1460	480	520	1460	1395	33 M30	62,0	378,0	68,8	135,4	227,8	809,0	1036,8		
00190	275-370	317,0	15	765,0	390	1565	500	550	1565	1500	33 M30	60,0	388,0	101,8	167,5	296,4	911,4	1207,8		
00192	320-440	334,0	15	796,0	475	1685	520	660	1685	1615	36 M33	64,0	389,0	141,4	255,5	347,5	1197,7	1545,2		
00193	380-510	334,0	15	796,0	475	1738	520	660	1738	1675	36 M33	59,0	398,0	159,1	289,3	366,3	1251,2	1617,5		
00194	440-585	338,0	15	802,0	475	1790	520	660	1790	1726	36 M33	63,0	399,0	187,2	308,7	403,4	1260,9	1664,3		

CENTAX-SEC

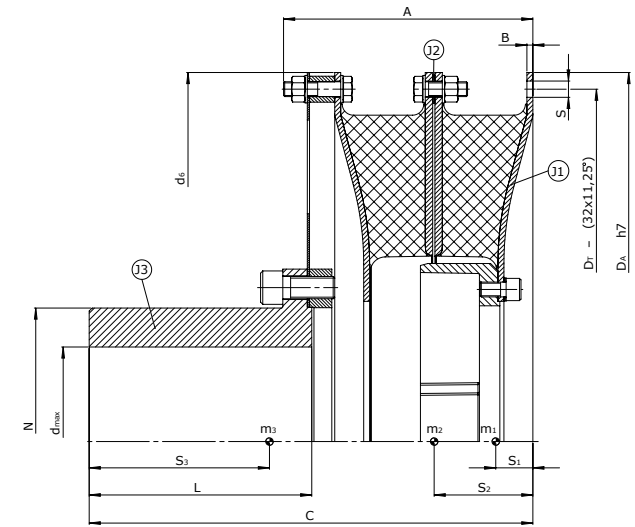
SERIES 100-GFS2

ARTICLE CODE: 038G-____-FS20

FLYWHEEL-SHAFT

TWO RING ELEMENTS AND MEMBRANE

OUTER HUB



DIMENSIONS

↓ SIZES 176-194

Size	T _{KN} [kNm]	Dimensions							Flange dimensions			Distance centre of gravity, moments of inertia and masses									
		A	B	C	d _{max}	d ₆	L	N	D _A [h7]	D _T	S	S ₁	S ₂	S ₃	J ₁	J ₂	J ₃	m ₁	m ₂	m ₃	m _{total}
00176	25-33	244,5	8	444,5	185	730	225	260	730	700	16 M14	34,0	97,0	189,0	2,7	4,5	4,6	46,7	56,0	108,8	211,5
00177	31,5-44	268,0	8	469,0	200	790	235	280	790	755	18 M16	36,0	104,0	199,0	3,8	6,3	6,8	58,1	67,8	135,2	261,1
00179	40-55	284,0	8	500,0	220	860	250	310	860	820	20 M18	38,0	112,0	206,0	5,3	9,1	9,5	64,6	84,9	161,9	311,4
00181	50-70	324,0	8	571,0	235	920	285	330	920	880	20 M18	47,0	127,0	233,5	7,8	14,0	13,5	84,0	109,8	201,8	395,6
00183	63-90	336,0	8	598,0	255	995	300	360	995	950	22 M20	50,0	133,0	243,0	10,4	19,6	19,0	95,9	135,3	253,0	484,2
00184	80-110	354,0	8	626,0	275	1070	310	390	1070	1025	24 M22	56,0	142,0	252,0	14,9	26,9	27,2	120,1	156,8	312,3	589,2
00185	100-145	398,0	10	723,0	300	1160	370	420	1160	1110	26 M24	63,0	160,0	296,0	24,4	43,2	41,2	165,3	215,2	399,0	779,5
00186	125-180	415,0	10	755,0	320	1240	385	450	1240	1190	26 M24	64,0	169,0	305,0	31,9	57,7	53,1	187,6	253,9	465,7	907,2
00187	180-250	439,0	10	795,0	340	1355	400	480	1355	1295	30 M27	68,0	181,0	322,0	46,6	89,0	79,4	225,2	335,6	583,3	1144,1
00188	220-280	539,0	12	969,0	370	1460	480	520	1460	1395	33 M30	79,0	227,0	385,0	74,4	162,3	129,7	291,1	523,2	792,0	1606,3
00190	275-370	540,0	15	991,0	390	1565	500	550	1565	1500	33 M30	72,0	224,0	409,0	109,2	187,0	185,5	367,2	526,4	964,9	1858,5
00192	320-440	565,0	15	1030,0	475	1685	520	660	1685	1615	36 M33	81,0	232,0	409,0	152,3	260,5	280,1	434,2	620,2	1261,8	2316,2
00193	380-510	565,0	15	1030,0	475	1738	520	660	1738	1675	36 M33	77,0	232,0	415,0	176,0	304,6	311,2	468,3	687,2	1301,6	2457,1
00194	440-585	573,0	15	1040,0	475	1790	520	660	1790	1726	36 M33	78,0	236,0	420,0	200,1	343,0	340,0	493,7	724,9	1329,0	2547,6

CENTAX-SEC

SERIES 100-GFS2

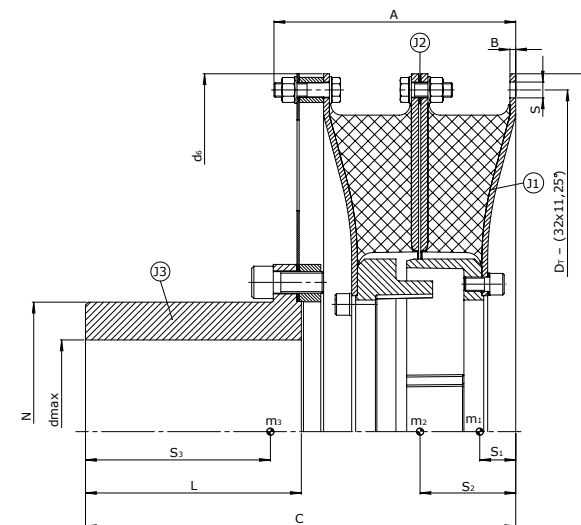
ARTICLE CODE: 038G-____-FS21

FLYWHEEL-SHAFT

TWO RING ELEMENTS AND MEMBRANE

WITH FAILSAFE DEVICE

OUTER HUB



DIMENSIONS

↓ SIZES 176-194

Size	T _{KN} [kNm]	Dimensions							Flange dimensions			Distance centre of gravity, moments of inertia and masses									
		A	B	C	d _{max}	d ₆	L	N	D _A [h7]	D _T	S	S ₁	S ₂	S ₃	J ₁	J ₂ [kgm ²]	J ₃	m ₁	m ₂	m ₃	m _{total}
00176	25-33	244,5	8	444,5	185	730	225	260	730	700	16 M14	34,0	97,0	200,0	2,7	4,5	4,9	46,7	56,0	120,9	223,6
00177	31,5-44	268,0	8	469,0	200	790	235	280	790	755	18 M16	36,0	104,0	210,0	3,8	6,3	7,2	58,1	67,8	150,8	276,7
00179	40-55	284,0	8	500,0	220	860	250	310	860	820	20 M18	38,0	112,0	216,0	5,3	9,1	10,0	64,6	84,9	175,8	325,3
00181	50-70	324,0	8	571,0	235	920	285	330	920	880	20 M18	47,0	127,0	248,0	7,8	14,0	14,4	84,0	109,8	223,9	417,7
00183	63-90	336,0	8	598,0	255	995	300	360	995	950	22 M20	50,0	133,0	257,0	10,4	19,6	20,1	95,9	135,3	277,2	508,4
00184	80-110	354,0	8	626,0	275	1070	310	390	1070	1025	24 M22	56,0	142,0	268,0	14,9	26,9	29,2	120,1	156,8	346,5	623,4
00185	100-145	398,0	10	723,0	300	1160	370	420	1160	1110	26 M24	63,0	160,0	315,0	24,4	43,2	44,2	165,3	215,2	443,3	823,8
00186	125-180	415,0	10	755,0	320	1240	385	450	1240	1190	26 M24	64,0	169,0	323,0	31,9	57,7	56,7	187,6	253,9	513,3	954,8
00187	180-250	439,0	10	795,0	340	1355	400	480	1355	1295	30 M27	68,0	181,0	339,0	46,6	89,0	83,7	225,2	335,6	636,7	1197,5
00188	220-280	539,0	12	969,0	370	1460	480	520	1460	1395	33 M30	79,0	227,0	404,0	74,4	162,3	134,7	291,1	523,2	849,3	1663,6
00190	275-370	540,0	15	991,0	390	1565	500	550	1565	1500	33 M30	72,0	224,0	426,0	109,2	187,0	192,3	367,2	526,4	1031,4	1925,0
00192	320-440	565,0	15	1030,0	475	1685	520	660	1685	1615	36 M33	81,0	232,0	429,0	152,3	260,5	290,4	434,2	620,2	1343,7	2398,1
00193	380-510	565,0	15	1030,0	475	1738	520	660	1738	1675	36 M33	77,0	232,0	433,0	176,0	304,6	321,5	468,3	687,2	1383,5	2539,0
00194	440-585	573,0	15	1040,0	475	1790	520	660	1790	1726	36 M33	78,0	236,0	438,0	200,1	343,0	351,9	493,7	724,9	1411,6	2630,2

CENTAX-SEC

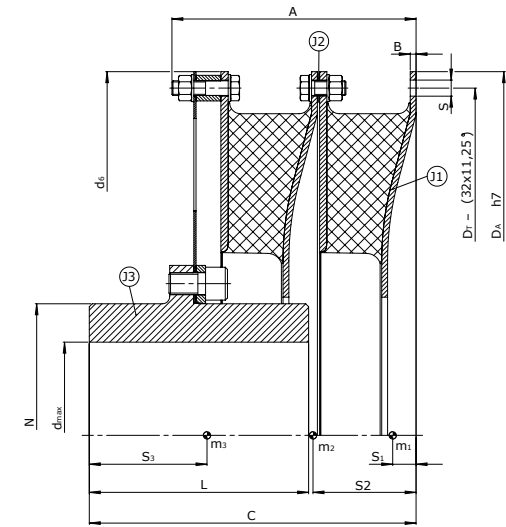
SERIES 100-GFS2

ARTICLE CODE: 038G-____-FS20

FLYWHEEL-SHAFT

TWO RING ELEMENTS AND MEMBRANE

INNER HUB



DIMENSIONS

↓ SIZES 176-194

Size	T _{KN} [kNm]	Dimensions							Flange dimensions			Distance centre of gravity, moments of inertia and masses											
		A	B	C	d _{max}	d ₆	L	N	D _A [h7]	D _T	S	S ₁	S ₂	S ₃	J ₁	J ₂	J ₃	m ₁	m ₂	m ₃	m _{total}		
																	[kgm ²]			[kg]			
00176	25-33	244,5	8	336,0	185	730	225	260	730	700	16 M14	22,0	104,0	122,5	2,3	4,8	4,2	30,9	61,1	97,9	190,0		
00177	31,5-44	268,0	8	353,0	195	790	235	280	790	755	18 M16	23,0	111,0	125,0	3,3	6,8	6,0	37,9	74,7	122,0	234,6		
00179	40-55	284,0	8	376,0	220	860	250	310	860	820	20 M18	25,0	119,0	135,0	4,6	9,8	8,6	44,9	91,3	149,7	285,9		
00181	50-70	322,0	8	426,0	235	920	285	330	920	880	20 M18	30,0	134,5	153,0	6,4	14,1	13,1	53,3	112,2	192,8	358,3		
00183	63-90	334,0	8	447,0	255	995	300	360	995	950	22 M20	32,0	141,0	161,0	8,8	19,7	18,4	63,1	135,5	243,1	441,7		
00184	80-110	352,0	8	466,0	275	1070	310	390	1070	1025	24 M22	36,0	151,0	163,0	12,3	27,5	25,8	75,2	160,1	292,2	527,5		
00185	100-145	396,0	10	545,0	300	1160	370	420	1160	1110	26 M24	40,0	171,0	201,0	20,3	44,5	39,3	106,1	222,2	382,2	710,5		
00186	125-180	413,0	10	568,0	320	1240	385	450	1240	1190	26 M24	42,0	169,0	208,0	26,9	58,6	51,1	123,0	258,5	445,9	827,4		
00187	180-250	437,0	10	595,0	340	1355	400	480	1355	1295	30 M27	47,0	193,0	212,0	40,9	90,5	76,9	157,0	336,9	568,0	1061,9		
00188	220-280	536,0	12	722,0	365	1460	480	520	1460	1395	33 M30	62,0	242,5	250,0	68,9	158,2	135,3	227,8	506,4	811,5	1545,7		
00190	275-370	543,0	15	737,0	390	1565	500	550	1565	1500	33 M30	60,0	243,0	264,0	101,8	204,7	167,8	296,4	576,2	914,9	1787,5		
00192	320-440	568,0	15	764,0	475	1685	520	660	1685	1615	36 M33	64,0	254,0	267,0	141,4	284,0	252,8	347,5	676,0	1170,0	2193,5		
00193	380-510	568,0	15	764,0	475	1738	520	660	1738	1675	36 M33	59,0	247,0	270,0	159,1	331,4	286,6	366,3	744,7	1223,5	2334,5		
00194	440-585	576,0	15	776,0	475	1790	520	660	1790	1726	36 M33	63,0	256,0	276,0	187,2	373,2	309,7	403,5	785,4	1268,3	2457,2		

CENTAX-SEC

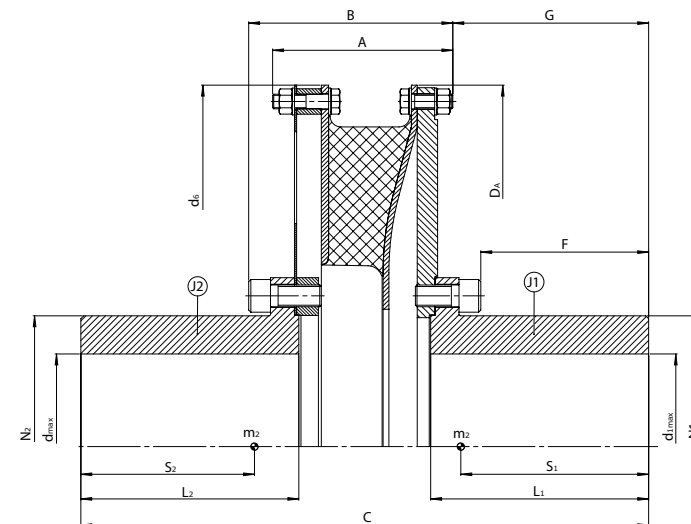
SERIES 100-GSS1

ARTICLE CODE: 038G-____-SS10

SHAFT-SHAFT

ONE RING ELEMENT AND MEMBRANE

OUTER HUB



DIMENSIONS

↓ SIZES 176-188

Size	T _{KN} [kNm]	Dimensions										Distance centre of gravity, moments of inertia and masses						
		A	B	C	d ₁ - d ₂ max	d ₆	F	G	L	N ₁ - N ₂	D _A	S ₁	S ₂	J ₁ [kgm ²]	J ₂	m ₁	m ₂	m _{total}
00176	25-33	185,0	214,0	584,0	185	730	171,0	199,0	225	260	730	197,0	182,0	7,5	4,3	146,3	103,7	250,0
00177	31,5-44	201,0	221,0	611,5	200	790	181,0	209,5	235	280	790	206,0	192,0	10,8	6,2	178,7	128,2	306,9
00179	40-55	219,0	239,0	651,5	220	860	196,0	216,5	250	310	860	218,0	199,0	16,7	8,8	229,8	155,4	385,2
00181	50-70	237,0	264,5	742,5	235	920	221,5	256,5	285	330	920	245,0	228,0	22,3	13,3	275,5	199,4	474,9
00183	63-90	248,0	281,0	781,5	255	995	231,0	269,5	300	360	995	258,5	239,0	33,4	18,8	353,4	252,1	605,5
00184	80-110	257,0	290,0	810,5	275	1070	241,0	279,5	310	390	1070	266,0	246,0	46,0	26,6	423,6	309,0	732,6
00185	100-145	290,0	316,0	949,5	300	1160	301,0	332,5	370	420	1160	314,0	288,0	68,6	39,9	537,8	391,9	929,7
00186	125-180	298,0	324,0	987,5	320	1240	316,0	347,5	385	450	1240	324,0	298,0	88,6	52,0	624,5	461,1	1085,6
00187	180-250	310,0	361,0	1035,0	340	1355	307,0	367,0	400	480	1355	342,0	314,0	130,1	77,9	777,2	582,0	1359,2
00188	220-280	370,0	418,0	1242,0	370	1460	385,0	439,0	480	520	1460	405,0	378,0	195,6	135,4	1010,9	809,0	1819,9
00190	275-370	388,0	441,5	1287,0	390	1565	394,5	451,0	500	550	1565	424,0	388,0	273,7	167,5	1220,9	911,4	2132,3
00192	320-440	404,0	449,5	1336,0	475	1685	416,5	470,0	520	660	1685	424,0	389,0	392,3	255,5	1535,8	1197,7	2733,5
00193	380-510	404,0	449,5	1336,0	475	1738	416,5	470,0	520	660	1738	427,0	398,0	434,7	289,3	1586,6	1251,2	2837,8
00194	440-585	408,0	455,5	1342,0	475	1790	416,5	470,0	520	660	1790	434,0	399,0	490,0	308,7	1657,3	1260,9	2918,2

CENTAX-SEC

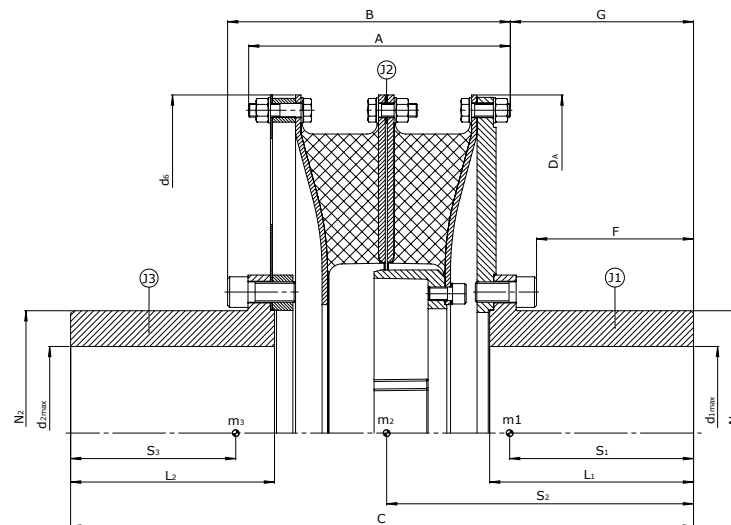
SERIES 100-GSS2

ARTICLE CODE: 038G-____-SS20

SHAFT-SHAFT

TWO RING ELEMENTS AND MEMBRANE

OUTER HUB



DIMENSIONS

↓ SIZES 176-188

Size	T _{KN} [kNm]	Dimensions										Distance centre of gravity, moments of inertia and masses												
		A	B	C	d ₁ - d ₂ max	d ₆	F	G	L ₁ - L ₂	N ₁ - N ₂	D _A	S ₁	S ₂	S ₃	J ₁	J ₂	J ₃	m ₁	m ₂	m ₃	m _{total}			
												[kgm ²]										[kg]		
00176	25-33	284,0	313,0	683,0	185	730	167,0	199,0	225	260	730	206,0	335,5	189,0	7,9	4,5	4,6	162,6	56,0	108,8	327,4			
00177	31,5-44	307,0	327,0	717,5	200	790	177,0	209,5	235	280	790	216,0	352,5	199,0	11,4	6,3	6,8	199,5	67,8	135,2	402,5			
00179	40-55	333,0	353,0	765,5	220	860	196,0	216,5	250	310	860	227,0	377,5	206,0	17,4	9,1	9,5	249,5	84,9	161,9	496,3			
00181	50-70	368,0	393,5	871,5	235	920	221,5	256,5	285	330	920	258,0	427,5	233,5	23,7	14,0	13,5	306,2	109,8	201,8	617,8			
00183	63-90	385,0	416,0	916,5	255	995	231,0	269,5	300	360	995	270,5	451,5	243,0	35,0	19,6	19,0	386,3	135,3	253,0	774,6			
00184	80-110	403,0	434,0	954,5	275	1070	241,0	279,5	310	390	1070	280,5	470,5	252,0	48,6	26,9	27,2	468,5	156,8	312,3	937,6			
00185	100-145	454,0	478,0	1111,5	300	1160	301,0	332,5	370	420	1160	332,0	548,5	296,0	72,7	43,2	41,2	597,0	215,2	399,0	1211,2			
00186	125-180	471,0	495,0	1158,5	320	1240	316,0	347,5	385	450	1240	341,0	572,5	305,0	93,6	57,7	53,1	689,1	253,9	465,7	1408,7			
00187	180-250	495,0	544,0	1218,0	340	1355	307,0	367,0	400	480	1355	357,0	604,0	322,0	135,8	89,0	79,4	845,4	335,6	583,3	1764,3			
00188	220-280	602,0	647,0	1471,0	370	1460	385,0	439,0	480	520	1460	419,0	729,0	384,0	201,2	162,3	129,4	1074,2	523,2	788,0	2385,4			
00190	275-370	611,0	667,5	1513,0	390	1565	394,5	451,0	500	550	1565	437,0	746,0	408,0	281,0	187,0	185,1	1291,6	526,4	961,1	2779,1			
00192	320-440	635,0	683,5	1570,0	475	1685	416,5	470,0	520	660	1685	438,0	772,0	408,0	403,2	260,5	279,1	1622,4	620,2	1254,2	3496,8			
00193	380-510	635,0	683,5	1570,0	475	1738	416,5	470,0	520	660	1738	443,0	772,0	414,0	451,6	304,6	310,2	1688,6	687,2	1294,0	3669,8			
00194	440-585	643,0	693,5	1580,0	475	1790	416,5	470,0	520	660	1790	447,0	776,0	419,0	502,9	343,0	338,9	1747,5	724,9	1321,4	3793,8			

CENTAX-SEC

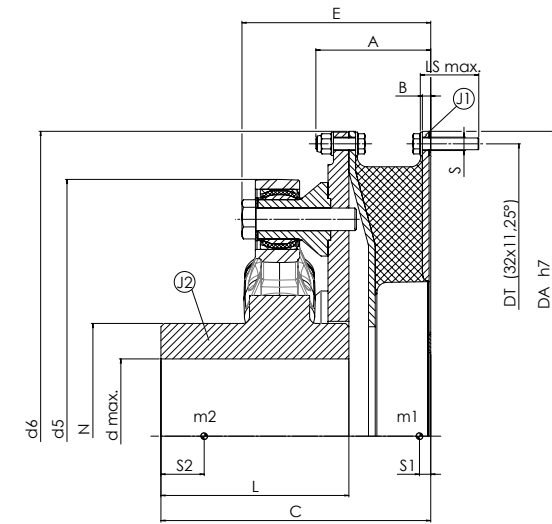
SERIES 100-LFS1

ARTICLE CODE: 039L-_____-FS10

FLYWHEEL-SHAFT

ONE RING ELEMENT AND LINK COUPLING

INNER HUB



DIMENSIONS

↓ SIZES 176-184

Size	T _{KN} [kNm]	Dimensions										Flange dimensions			Distance centre of gravity, moments of inertia and masses						
		A	B	C	d _{max}	d ₅	d ₆	E	L	LS _{max}	N	D _A [h7]	D _T	S	S ₁	S ₂	J ₁ [kgm ²]	J ₂	m ₁	m ₂	m _{total}
00176	25-33	137,5	10	323	185	615	730	226	255	70	270	730	700	16 M14	13,5	174,5	2,2	10,4	29,0	203,1	232,1
00177	31,5-44	149	10	352,5	200	740	790	283,5	235	75	280	790	755	18 M16	15,0	187,5	3,0	18,7	34,9	292,0	326,9
00179	40-55	162	10	374,5	220	785	860	291,5	250	80	315	860	820	20 M18	15,5	196,0	4,3	28,1	42,9	375,8	418,7
00181	50-70	187	12	424,5	235	785	920	306,5	285	95	340	920	880	20 M18	16,0	228,5	6,7	36,2	56,1	429,5	485,6
00183	63-90	193	12	444	255	898	995	312,5	300	100	370	995	950	22 M20	17,0	234,5	9,1	55,1	66,3	570,9	637,2
00184	80-110	207	12	463	275	933	1070	321,5	310	110	400	1070	1025	24 M22	18,0	246,0	12,6	71,4	77,0	637,6	714,6

CENTAX-SEC

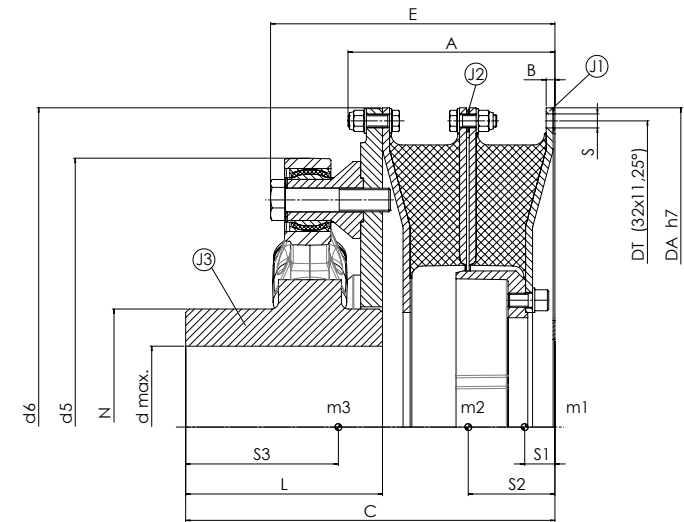
SERIES 100-LFS2

ARTICLE CODE: 039L-_____-FS20

FLYWHEEL-SHAFT

TWO RING ELEMENTS AND LINK COUPLING

INNER HUB



DIMENSIONS

↓ SIZES 176-184

Size	T _{KN} [kNm]	Dimensions									Flange dimensions			Distance centre of gravity, moments of inertia and masses									
		A	B	C	d _{max}	d ₅	d ₆	E	L	N	D _A [h7]	D _T	S	S ₁	S ₂	S ₃	J ₁	J ₂	J ₃	m ₁	m ₂	m ₃	m _{total}
00176	25-33	236,5	10	422	185	615	730	325	225	270	730	700	16 M14	34,0	99,0	174,5	2,8	4,6	10,4	47,8	58,4	203,1	309,3
00177	31,5-44	255	10	458,5	200	740	790	389,5	235	280	790	755	18 M16	36,0	106,0	187,5	3,9	6,6	18,7	59,3	71,2	292,0	422,5
00179	40-55	276	10	488,5	220	785	860	405,5	250	315	860	820	20 M18	38,0	114,0	196,0	5,4	9,5	28,1	66,1	88,7	375,8	530,6
00181	50-70	316	10	553,5	235	785	920	435,5	285	340	920	880	20 M18	46,0	129,0	228,5	8,1	14,3	36,2	88,0	112,1	429,5	629,6
00183	63-90	328	10	579	255	898	995	447,5	300	370	995	950	22 M20	50,0	135,0	235,0	10,9	19,9	55,1	99,5	136,6	570,9	807,0
00184	80-110	351	10	607	275	933	1070	465,5	310	400	1070	1025	24 M22	56,0	144,0	246,0	15,5	27,6	71,4	123,7	160,0	637,6	921,3

CENTAX-SEC

SERIES 100-LFS2

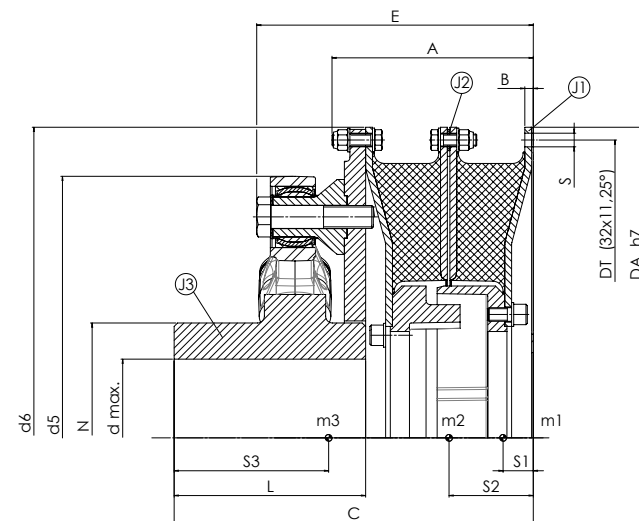
ARTICLE CODE: 039L-_____-FS21

FLYWHEEL-SHAFT

TWO RING ELEMENTS AND LINK COUPLING

WITH FAILSAFE DEVICE

INNER HUB



DIMENSIONS

↓ SIZES 176-184

Size	T _{KN} [kNm]	Dimensions									Flange dimensions			Distance centre of gravity, moments of inertia and masses											
		A	B	C	d _{max}	d ₅	d ₆	E	L	N	D _A [h7]	D _T	S	S ₁	S ₂	S ₃	J ₁	J ₂	J ₃	m ₁	m ₂	m ₃	m _{total}		
																	[kgm ²]			[kg]					
00176	25-33	236,5	10	422	185	615	730	325	225	270	730	700	16 M14	34,0	99,0	180,5	2,8	4,6	10,7	47,8	58,4	215,2	321,4		
00177	31,5-44	255	10	458,5	200	740	790	389,5	235	280	790	755	18 M16	36,0	106,0	192,5	3,9	6,6	19,1	59,3	71,2	307,5	438,0		
00179	40-55	276	10	488,5	220	785	860	405,5	250	315	860	820	20 M18	38,0	114,0	200,0	5,4	9,5	28,6	66,1	88,7	389,7	544,5		
00181	50-70	316	10	553,5	235	785	920	435,5	285	340	920	880	20 M18	46,0	129,0	235,5	8,1	14,3	37,1	88,0	112,1	451,6	651,7		
00183	63-90	328	10	579	255	898	995	447,5	300	370	995	950	22 M20	50,0	135,0	240,0	10,9	19,9	56,2	99,5	136,6	595,1	831,2		
00184	80-110	351	10	607	275	933	1070	465,5	310	400	1070	1025	24 M22	56,0	144,0	253,0	15,5	27,6	73,3	123,7	160,0	671,8	955,5		

CENTAX-SEC

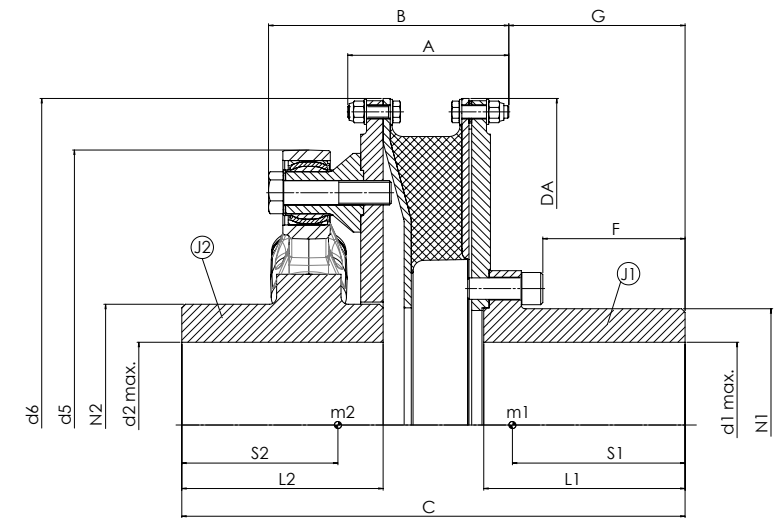
SERIES 100-LSS1

ARTICLE CODE: 039L-____-SS10

SHAFT-SHAFT

ONE RING ELEMENT AND LINK COUPLING

INNER HUB



DIMENSIONS

↓ SIZES 176-184

Size	T_{KN} [kNm]	A	B	C	Dimensions								D_A	Distance centre of gravity, moments of inertia and masses						
					$d_1 - d_2$ max	d_5	d_6	F	G	$L_1 - L_2$	N_1	N_2		S_1	S_2	J_1 [kgm ²]	J_2	m_1	m_2	m_{total}
00176	25-33	180	268,5	562,5	185	615	730	171	197	225	260	270	730	193,0	174,5	7,3	10,4	141,4	203,1	344,5
00177	31,5-44	196	330,5	602	200	740	790	181	202,5	235	280	280	790	202,5	187,5	10,5	18,7	173,6	292,0	465,6
00179	40-55	214	343,5	641	220	785	860	196	214,5	250	310	315	860	215,0	196,0	16,3	28,1	225,4	375,8	601,2
00181	50-70	237	356,5	726	235	785	920	221,5	251,5	285	330	340	920	242,5	228,5	22,7	36,2	277,4	429,5	706,9
00183	63-90	248	367,5	763,5	255	898	995	231	264,5	300	360	370	995	256,5	234,5	34,0	55,1	357,4	570,9	928,3
00184	80-110	262	376,5	792,5	275	933	1070	241	274,5	310	390	400	1070	263,5	246,0	46,2	71,4	421,4	637,6	1059,0

CENTAX-SEC

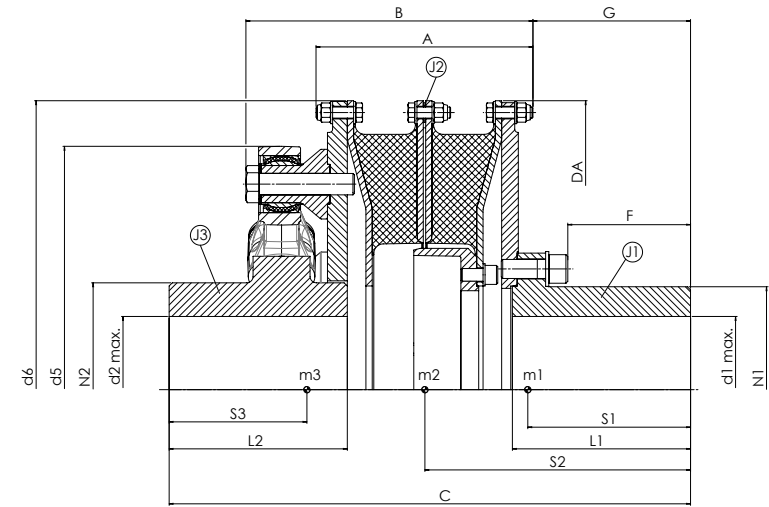
SERIES 100-LSS2

ARTICLE CODE: 039L-____-SS20

SHAFT-SHAFT

TWO RING ELEMENTS AND LINK COUPLING

INNER HUB



DIMENSIONS		↓ SIZES 176-184												Distance centre of gravity, moments of inertia and masses										
Size	T_{KN} [kNm]	A	B	C	$d_1 - d_2$ max	d_5	d_6	F	G	$L_1 - L_2$	N_1	N_2	D_A	S_1	S_2	S_3	J_1	J_2 [kgm ²]	J_3	m_1	m_2	m_3	m_{total} [kg]	
00176	25-33	274	362,5	658,5	185	615	730	167	199	225	260	270	730	205,5	335,5	174,5	7,8	4,6	10,4	160,8	58,4	203,1	422,3	
00177	31,5-44	297	431,5	705	200	740	790	177	204,5	235	280	280	790	215,5	352,5	187,5	11,4	6,6	18,7	197,7	71,2	292,0	560,9	
00179	40-55	323	452,5	752	220	785	860	196	216,5	250	310	315	860	226,5	377,0	196,0	17,4	9,5	28,1	247,6	88,7	375,8	712,1	
00181	50-70	363	482,5	852	235	785	920	221,5	251,5	285	330	340	920	257,5	427,5	228,5	24,0	14,3	36,2	310,0	112,1	429,5	851,6	
00183	63-90	380	499,5	895,5	255	898	995	231	264,5	300	360	370	995	270,5	451,5	234,5	35,3	19,9	55,1	389,1	136,6	570,9	1096,6	
00184	80-110	408	522,5	933,5	275	933	1070	241	269,5	310	390	400	1070	280,5	470,5	246,0	49,1	27,6	71,4	468,0	160,0	637,6	1265,6	

CENTAX-SEC

SERIES 200-G

ARTICLE CODE: 040G-____-__1__



ONE SEGMENTED ELEMENT AND MEMBRANE

TECHNICAL DATA			↓ SIZES 276-286			→ SIZES 287-294							
1	2	3	4	5	6	7	8	9	10	11	12	13	14
Size	Rubber quality	Nominal torque	Maximum torque	Continuous vibratory torque	Permissible power loss	Dynamic torsional stiffness	Relative damping	Speed	Permissible axial displacement	Axial stiffness	Permissible radial displacement	Radial stiffness	Permissible angular displacement
	[Shore A]	T_{KN} [kNm]	T_{Kmax} [kNm]	T_{KW} [kNm]	P_{KV} [kW]	C_{Tdyn} [kNm/rad]	Ψ	n_{max} [min ⁻¹]	ΔK_a [mm]	C_a [kN/mm]	ΔK_r [mm]	C_{rdyn} [kN/mm]	ΔK_w [°]
00276	50	22,00	66,00	5,50	0,83	154,00	1,05	1800	± 6	1,12	5,50	3,20	0,50
	60	26,00	78,00	6,50	0,87	193,00	1,10						
	70	30,00	90,00	7,50	0,91	340,00	1,15						
00277	50	28,00	84,00	7,00	0,91	210,00	1,05	1700	± 6	1,20	6,00	3,60	0,50
	60	34,00	102,00	8,50	0,96	265,00	1,10						
	70	40,00	120,00	10,00	1,00	465,00	1,15						
00279	50	35,00	105,00	8,75	0,99	265,00	1,05	1600	± 6	1,15	7,00	3,90	0,50
	60	44,00	132,00	11,00	1,04	335,00	1,10						
	70	50,00	150,00	12,50	1,09	585,00	1,15						
00281	50	45,00	135,00	11,25	1,10	314,00	1,05	1450	± 7	1,15	7,00	3,90	0,50
	60	55,00	165,00	13,75	1,16	393,00	1,10						
	70	65,00	195,00	16,25	1,21	690,00	1,15						
00283	50	55,00	165,00	13,75	1,19	408,00	1,05	1250	± 7	1,18	7,50	4,40	0,50
	60	70,00	210,00	17,50	1,25	510,00	1,10						
	70	80,00	240,00	20,00	1,31	900,00	1,15						
00284	50	70,00	210,00	17,50	1,31	550,00	1,05	1250	± 7	1,18	8,00	4,60	0,50
	60	85,00	255,00	21,25	1,38	690,00	1,10						
	70	100,00	300,00	25,00	1,44	1210,00	1,15						
00285	50	95,00	285,00	23,75	1,41	665,00	1,05	1200	± 8	1,19	8,00	4,90	0,50
	60	115,00	345,00	28,75	1,48	830,00	1,10						
	70	135,00	405,00	33,75	1,55	1460,00	1,15						
00286	50	115,00	345,00	28,75	1,60	805,00	1,05	1125	± 9	1,20	8,00	5,30	0,50
	60	140,00	420,00	35,00	1,68	1006,00	1,10						
	70	160,00	480,00	40,00	1,76	1770,00	1,15						

CENTAX-SEC

SERIES 200-G

ARTICLE CODE: 040G-____-__1__



ONE SEGMENTED ELEMENT AND MEMBRANE

TECHNICAL DATA			↓ SIZES 287-294			← SIZES 276-286							
1	2	3	4	5	6	7	8	9	10	11	12	13	14
Size	Rubber quality	Nominal torque	Maximum torque	Continuous vibratory torque	Permissible power loss	Dynamic torsional stiffness	Relative damping	Speed	Permissible axial displacement	Axial stiffness	Permissible radial displacement	Radial stiffness	Permissible angular displacement
	[Shore A]	T_{KN} [kNm]	T_{Kmax} [kNm]	T_{KW} [kNm]	P_{KV} [kW]	C_{Tdyn} [kNm/rad]	ψ	n_{max} [min ⁻¹]	ΔK_a [mm]	C_a [kN/mm]	ΔK_r [mm]	C_{rdyn} [kN/mm]	ΔK_w [°]
00287	50	160,00	480,00	40,00	1,83	1150,00	1,05	1000	± 9	1,20	8,00	6,70	0,50
	60	185,00	555,00	46,25	1,92	1440,00	1,10						
	70	220,00	660,00	55,00	2,01	2530,00	1,15						
00288	50	200,00	600,00	50,00	2,00	1320,00	1,05	800	± 12	1,20	8,00	7,10	0,50
	60	240,00	720,00	60,00	2,10	1650,00	1,10						
	70	260,00	780,00	65,00	2,20	2900,00	1,15						
00290	50	265,00	795,00	66,25	2,24	1710,00	1,05	750	± 13	1,25	8,00	7,40	0,50
	60	320,00	960,00	80,00	2,35	2140,00	1,10						
	70	360,00	1080,00	90,00	2,46	3760,00	1,15						
00292	50	310,00	930,00	77,50	2,38	2290,00	1,05	700	± 14	1,30	8,00	8,30	0,50
	60	380,00	1140,00	95,00	2,50	2860,00	1,10						
	70	425,00	1275,00	106,25	2,62	5035,00	1,15						
00293	50	360,00	1080,00	90,00	2,53	2745,00	1,05	675	± 14	1,40	8,00	9,30	0,50
	60	430,00	1290,00	107,50	2,66	3430,00	1,10						
	70	480,00	1440,00	120,00	2,78	6040,00	1,15						
00294	50	420,00	1260,00	105,00	2,69	3075,00	1,05	675	± 15	1,70	8,00	9,70	0,50
	60	510,00	1530,00	127,50	2,83	3845,00	1,10						
	70	570,00	1710,00	142,50	2,96	6770,00	1,15						

CENTAX-SEC

SERIES 200-G

ARTICLE CODE: 040G-____-__2_



TWO SEGMENTED ELEMENTS AND MEMBRANE

TECHNICAL DATA			↓ SIZES 287-294				→ SIZES 276-286						
1	2	3	4	5	6	7	8	9	10	11	12	13	14
Size	Rubber quality	Nominal torque	Maximum torque	Continuous vibratory torque	Permissible power loss	Dynamic torsional stiffness	Relative damping	Speed	Permissible axial displacement	Axial stiffness	Permissible radial displacement	Radial stiffness	Permissible angular displacement
	[Shore A]	T_{KN} [kNm]	T_{Kmax} [kNm]	T_{KW} [kNm]	P_{KV} [kW]	C_{Tdyn} [kNm/rad]	Ψ	n_{max} [min ⁻¹]	ΔK_a [mm]	C_a [kN/mm]	ΔK_r [mm]	C_{rdyn} [kN/mm]	ΔK_w [°]
00276	50	22,00	66,00	5,50	1,66	77,00	1,05	1800	± 6	1,12	11,00	1,60	0,50
	60	26,00	78,00	6,50	1,74	97,00	1,10						
	70	30,00	90,00	7,50	1,83	170,00	1,15						
00277	50	28,00	84,00	7,00	1,82	105,00	1,05	1700	± 6	1,20	12,00	1,80	0,50
	60	34,00	102,00	8,50	1,91	133,00	1,10						
	70	40,00	120,00	10,00	2,00	233,00	1,15						
00279	50	35,00	105,00	8,75	1,98	133,00	1,05	1600	± 6	1,15	14,00	2,00	0,50
	60	44,00	132,00	11,00	2,08	168,00	1,10						
	70	50,00	150,00	12,50	2,18	293,00	1,15						
00281	50	45,00	135,00	11,25	2,20	157,00	1,05	1450	± 7	1,15	14,00	1,90	0,50
	60	55,00	165,00	13,75	2,31	197,00	1,10						
	70	65,00	195,00	16,25	2,42	345,00	1,15						
00283	50	55,00	165,00	13,75	2,38	204,00	1,05	1250	± 7	1,18	15,00	2,20	0,50
	60	70,00	210,00	17,50	2,50	255,00	1,10						
	70	80,00	240,00	20,00	2,62	450,00	1,15						
00284	50	70,00	210,00	17,50	2,62	275,00	1,05	1250	± 7	1,18	16,00	2,30	0,50
	60	85,00	255,00	21,25	2,75	345,00	1,10						
	70	100,00	300,00	25,00	2,88	605,00	1,15						
00285	50	95,00	285,00	23,75	2,82	333,00	1,05	1200	± 8	1,19	16,00	2,40	0,50
	60	115,00	345,00	28,75	2,96	415,00	1,10						
	70	135,00	405,00	33,75	3,10	730,00	1,15						
00286	50	115,00	345,00	28,75	3,20	403,00	1,05	1125	± 9	1,20	16,00	2,60	0,50
	60	140,00	420,00	35,00	3,36	503,00	1,10						
	70	160,00	480,00	40,00	3,52	885,00	1,15						

CENTAX-SEC

SERIES 200-G

ARTICLE CODE: 040G-____-__2_



TWO SEGMENTED ELEMENTS AND MEMBRANE

TECHNICAL DATA			↓ SIZES 287-294			← SIZES 276-286							
1	2	3	4	5	6	7	8	9	10	11	12	13	14
Size	Rubber quality	Nominal torque	Maximum torque	Continuous vibratory torque	Permissible power loss	Dynamic torsional stiffness	Relative damping	Speed	Permissible axial displacement	Axial stiffness	Permissible radial displacement	Radial stiffness	Permissible angular displacement
	[Shore A]	T_{KN} [kNm]	T_{Kmax} [kNm]	T_{KV} [kNm]	P_{KV} [kW]	C_{Tdyn} [kNm/rad]	Ψ	n_{max} [min ⁻¹]	ΔK_a [mm]	C_a [kN/mm]	ΔK_r [mm]	C_{rdyn} [kN/mm]	ΔK_w [°]
00287	50	160,00	480,00	40,00	3,66	575,00	1,05	1000	± 9	1,20	16,00	3,40	0,50
	60	185,00	555,00	46,25	3,84	720,00	1,10						
	70	220,00	660,00	55,00	4,03	1265,00	1,15						
00288	50	200,00	600,00	50,00	4,00	660,00	1,05	800	± 12	1,20	16,00	3,55	0,50
	60	240,00	720,00	60,00	4,20	825,00	1,10						
	70	260,00	780,00	65,00	4,40	1450,00	1,15						
00290	50	265,00	795,00	66,25	4,48	813,00	1,05	750	± 13	1,25	16,00	3,71	0,50
	60	320,00	960,00	80,00	4,70	1018,00	1,10						
	70	360,00	1080,00	90,00	4,92	1788,00	1,15						
00292	50	310,00	930,00	77,50	4,76	1097,00	1,05	700	± 14	1,30	16,00	4,13	0,50
	60	380,00	1140,00	95,00	5,00	1373,00	1,10						
	70	425,00	1275,00	106,25	5,24	2411,00	1,15						
00293	50	360,00	1080,00	90,00	5,06	1303,00	1,05	675	± 14	1,40	16,00	4,65	0,50
	60	430,00	1290,00	107,50	5,32	1631,00	1,10						
	70	480,00	1440,00	120,00	5,56	2865,00	1,15						
00294	50	420,00	1260,00	105,00	5,38	1461,00	1,05	675	± 15	1,70	16,00	4,83	0,50
	60	510,00	1530,00	127,50	5,66	1829,00	1,10						
	70	570,00	1710,00	142,50	5,92	3211,00	1,15						

CENTAX-SEC

SERIES 200-L

ARTICLE CODE: 041L-_____-__1_



ONE SEGMENTED ELEMENT AND LINK COUPLING

TECHNICAL DATA

↓ SIZES 276-284

1	2	3	4	5	6	7	8	9	10	11	12	13	14
Size	Rubber quality	Nominal torque	Maximum torque	Continuous vibratory torque	Permissible power loss	Dynamic torsional stiffness	Relative damping	Speed	Permissible axial displacement	Axial stiffness	Permissible radial displacement	Radial stiffness	Permissible angular displacement
	[Shore A]	T_{KN} [kNm]	T_{Kmax} [kNm]	T_{KW} [kNm]	P_{KV} [kW]	C_{Tdyn} [kNm/rad]	ψ	n_{max} [min ⁻¹]	ΔK_a [mm]	C_a [kN/mm]	ΔK_r [mm]	C_{rdyn} [kN/mm]	ΔK_w [°]
00276	50	22,00	66,00	5,50	0,83	154,00	1,05	1800	± 13	0,75	5,50	3,20	1
	60	26,00	78,00	6,50	0,87	193,00	1,10						
	70	30,00	90,00	7,50	0,91	340,00	1,15						
00277	50	28,00	84,00	7,00	0,91	210,00	1,05	1700	± 18	1,10	6,00	3,60	1
	60	34,00	102,00	8,50	0,96	265,00	1,10						
	70	40,00	120,00	10,00	1,00	465,00	1,15						
00279	50	35,00	105,00	8,75	0,99	265,00	1,05	1600	± 18	1,10	7,00	3,90	1
	60	44,00	132,00	11,00	1,04	335,00	1,10						
	70	50,00	150,00	12,50	1,09	585,00	1,15						
00281	50	45,00	135,00	11,25	1,10	314,00	1,05	1450	± 18	1,10	7,00	3,90	1
	60	55,00	165,00	13,75	1,16	393,00	1,10						
	70	65,00	195,00	16,25	1,21	690,00	1,15						
00283	50	55,00	165,00	13,75	1,19	408,00	1,05	1250	± 18	1,10	7,50	4,40	1
	60	70,00	210,00	17,50	1,25	510,00	1,10						
	70	80,00	240,00	20,00	1,31	900,00	1,15						
00284	50	70,00	210,00	17,50	1,31	550,00	1,05	1250	± 18	1,10	8,00	4,60	1
	60	85,00	255,00	21,25	1,38	690,00	1,10						
	70	100,00	300,00	25,00	1,44	1210,00	1,15						

CENTAX-SEC

SERIES 200-L

ARTICLE CODE: 041L-_____-__2_



TWO SEGMENTED ELEMENTS AND LINK COUPLING

TECHNICAL DATA			↓ SIZES 276-284										
1	2	3	4	5	6	7	8	9	10	11	12	13	14
Size	Rubber quality	Nominal torque	Maximum torque	Continuous vibratory torque	Permissible power loss	Dynamic torsional stiffness	Relative damping	Speed	Permissible axial displacement	Axial stiffness	Permissible radial displacement	Radial stiffness	Permissible angular displacement
	[Shore A]	T_{KN} [kNm]	T_{Kmax} [kNm]	T_{KW} [kNm]	P_{KV} [kW]	C_{Tdyn} [kNm/rad]	ψ	n_{max} [min ⁻¹]	ΔK_a [mm]	C_a [kN/mm]	ΔK_r [mm]	C_{rdyn} [kN/mm]	ΔK_w [°]
00276	50	22,00	66,00	5,50	1,66	77,00	1,05	1800	± 13	0,75	11,00	1,60	1
	60	26,00	78,00	6,50	1,74	97,00	1,10						
	70	30,00	90,00	7,50	1,83	170,00	1,15						
00277	50	28,00	84,00	7,00	1,82	105,00	1,05	1700	± 18	1,10	12,00	1,80	1
	60	34,00	102,00	8,50	1,91	133,00	1,10						
	70	40,00	120,00	10,00	2,00	233,00	1,15						
00279	50	35,00	105,00	8,75	1,98	133,00	1,05	1600	± 18	1,10	14,00	2,00	1
	60	44,00	132,00	11,00	2,08	168,00	1,10						
	70	50,00	150,00	12,50	2,18	293,00	1,15						
00281	50	45,00	135,00	11,25	2,20	157,00	1,05	1450	± 18	1,10	14,00	1,90	1
	60	55,00	165,00	13,75	2,31	197,00	1,10						
	70	65,00	195,00	16,25	2,42	345,00	1,15						
00283	50	55,00	165,00	13,75	2,38	204,00	1,05	1250	± 18	1,10	15,00	2,20	1
	60	70,00	210,00	17,50	2,50	255,00	1,10						
	70	80,00	240,00	20,00	2,62	450,00	1,15						
00284	50	70,00	210,00	17,50	2,62	275,00	1,05	1250	± 18	1,10	16,00	2,30	1
	60	85,00	255,00	21,25	2,75	345,00	1,10						
	70	100,00	300,00	25,00	2,88	605,00	1,15						

CENTAX-SEC

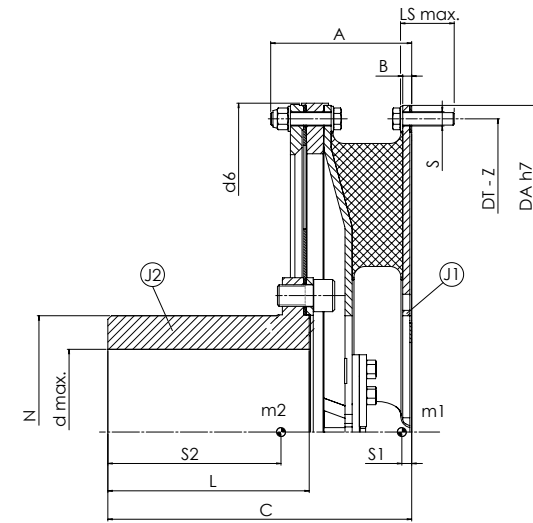
SERIES 200-GFS1

ARTICLE CODE: 040G-____-FS10

FLYWHEEL-SHAFT

ONE SEGMENTED ELEMENT AND MEMBRANE

OUTER HUB



DIMENSIONS

↓ SIZES 276-294

Size	T _{KN} [kNm]	Dimensions								Flange dimensions				Distance centre of gravity, moments of inertia and masses						
		A	B	C	d _{max}	d ₆	L	LS _{max}	N	D _A [h7]	D _T	Z	S	S ₁	S ₂	J ₁ [kgm ²]	J ₂ [kgm ²]	m ₁ [kg]	m ₂ [kg]	m _{total}
00276	22-30	162,5	10	339,5	185	735	225	70	260	730	700	32x11,25°	16 M14	11,0	194,0	2,1	7,9	30,1	133,6	163,7
00277	28-40	169	10	357	200	795	235	75	280	790	755	32x11,25°	18 M16	12,0	203,0	2,9	11,0	36,4	161,4	197,8
00279	35-50	187	10	380	220	865	250	80	310	860	820	32x11,25°	20 M18	13,0	211,0	4,1	15,1	43,2	191,9	235,1
00281	45-65	197	12	430	235	925	285	95	330	920	880	32x11,25°	20 M18	15,0	237,0	6,6	19,8	59,1	231,1	290,2
00283	55-80	203	12	451	255	1000	300	100	360	995	950	32x11,25°	22 M20	15,0	248,0	9,1	28,4	69,8	289,5	359,3
00284	70-100	212	12	470	275	1075	310	110	390	1070	1025	32x11,25°	24 M22	16,0	256,0	12,5	39,4	82,6	351,0	433,6
00285	95-135	238	14	549	275	1165	370	120	390	1160	1110	32x11,25°	26 M24	18,0	310,0	20,2	58,5	113,8	440,3	554,1
00286	115-160	246	14	572	320	1245	385	130	450	1240	1190	32x11,25°	26 M24	19,0	311,0	27,0	76,5	132,5	526,0	658,5
00287	160-220	258	14	600	340	1360	400	140	480	1355	1295	32x11,25°	30 M27	21,0	327,0	40,6	113,8	168,2	659,0	827,2
00288	200-260	311	17	727	370	1465	480	180	520	1460	1395	32x11,25°	33 M30	26,0	392,0	74,5	178,2	258,3	889,0	1147,3
00290	265-360	321	19	772	390	1575	500	180	550	1565	1500	32x11,25°	33 M30	26,0	423,0	115,5	257,9	352,1	1094,7	1446,8
00292	310-425	331	21	807	430	1695	520	180	600	1685	1615	32x11,25°	36 M33	29,0	440,0	167,2	365,2	432,4	1333,1	1765,5
00293	360-480	331	21	807	430	1748	520	180	600	1738	1675	32x11,25°	36 M33	28,0	449,0	190,4	437,4	464,5	1438,9	1903,4
00294	420-570	342	19	811	430	1800	520	180	600	1790	1726	32x11,25°	36 M33	28,0	449,0	209,2	470,0	479,1	1452,0	1931,1

CENTAX-SEC

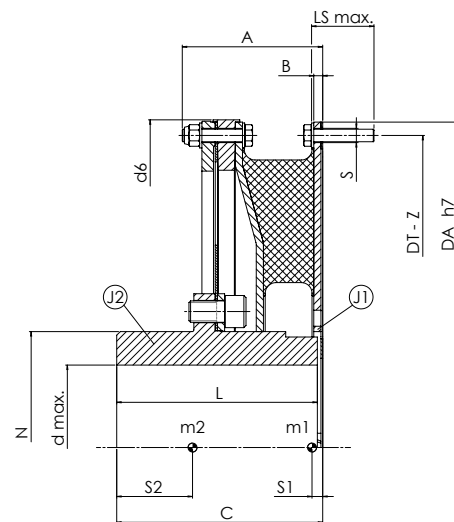
SERIES 200-GFS1

ARTICLE CODE: 040G-____-FS10

FLYWHEEL-SHAFT

ONE SEGMENTED ELEMENT AND MEMBRANE

INNER HUB



DIMENSIONS

↓ SIZES 276-294

Size	T _{KN} [kNm]	A	B	C	Dimensions					D _A [h7]	Flange dimensions				Distance centre of gravity, moments of inertia and masses						
					d _{max}	d ₆	L	LS _{max}	N		D _T	Z	S	S ₁	S ₂	J ₁ [kgm ²]	J ₂ [kgm ²]	m ₁ [kg]	m ₂ [kg]	m _{total}	
00276	22-30	152,5	10	235	185	735	225	70	260	730	700	32x11,25°	16 M14	12,0	124,0	2,1	7,9	30,4	130,5	160,9	
00277	28-40	169	10	245	200	795	235	75	280	790	755	32x11,25°	18 M16	13,0	119,0	3,0	10,9	37,0	157,7	194,7	
00279	35-50	182	10	260	220	865	250	80	310	860	820	32x11,25°	20 M18	14,0	131,0	4,2	15,8	44,1	195,4	239,5	
00281	45-65	197	12	300	235	925	285	95	330	920	880	32x11,25°	20 M18	14,0	153,0	6,5	20,7	58,3	234,1	292,4	
00283	55-80	203	12	315	255	1000	300	100	360	995	950	32x11,25°	22 M20	15,0	155,0	9,0	28,7	69,2	289,6	358,8	
00284	70-100	212	12	325	275	1075	310	110	390	1070	1025	32x11,25°	24 M22	16,0	160,0	12,4	39,8	81,6	343,3	424,9	
00285	95-135	233	14	385	275	1165	370	120	390	1160	1110	32x11,25°	26 M24	21,0	180,0	21,4	57,4	120,5	441,7	562,2	
00286	115-160	246	14	405	320	1245	385	130	450	1240	1190	32x11,25°	26 M24	19,0	191,0	26,8	76,9	131,5	515,6	647,1	
00287	160-220	258	14	420	340	1360	400	140	480	1355	1295	32x11,25°	30 M27	20,0	214,0	40,0	115,1	165,8	649,9	815,7	
00288	200-260	311	17	505	365	1465	480	180	520	1460	1395	32x11,25°	33 M30	24,0	274,0	74,5	176,0	258,3	893,9	1152,2	
00290	265-360	321	19	525	390	1575	500	180	550	1565	1500	32x11,25°	33 M30	26,0	290,0	115,5	256,6	352,1	1125,5	1477,6	
00292	310-425	331	21	545	475	1695	520	180	600	1685	1615	32x11,25°	36 M33	29,0	293,0	167,2	373,5	432,4	1427,0	1859,4	
00293	360-480	331	21	545	475	1748	520	180	665	1738	1675	32x11,25°	36 M33	28,0	294,0	190,4	445,2	464,5	1528,8	1993,3	
00294	420-570	342	19	545	475	1800	520	180	665	1790	1726	32x11,25°	36 M33	28,0	298,0	209,2	482,2	479,1	1575,6	2054,7	

CENTAX-SEC

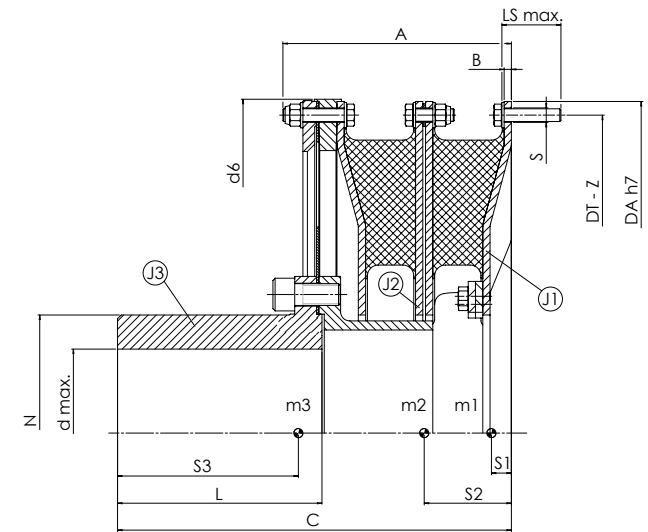
SERIES 200-GFS2

ARTICLE CODE: 040G-____-FS20

FLYWHEEL-SHAFT

TWO SEGMENTED ELEMENTS AND MEMBRANE

OUTER HUB



DIMENSIONS

↓ SIZES 276-294

Size	T _{KN} [kNm]	A	B	C	Dimensions					Flange dimensions				Distance centre of gravity, moments of inertia and masses									
					d _{max}	d ₆	L	LS _{max}	N	D _A [h7]	D _T	Z	S	S ₁	S ₂	S ₃	J ₁	J ₂	J ₃	m ₁	m ₂	m ₃	m _{total}
00276	22-30	259,5	8	436,5	185	735	225	70	260	730	700	32x11,25°	16 M14	22,0	97,0	199,0	2,2	4,5	8,1	31,0	60,5	146,0	237,5
00277	28-40	273	8	461	200	795	235	75	280	790	755	32x11,25°	18 M16	23,0	104,0	209,0	3,2	6,3	11,3	37,8	73,7	179,0	290,5
00279	35-50	299	8	492	220	865	250	80	310	860	820	32x11,25°	20 M18	25,0	112,0	217,0	4,5	8,9	15,5	44,8	88,2	207,9	340,9
00281	45-65	324	8	557	235	925	285	95	330	920	880	32x11,25°	20 M18	31,0	127,0	245,0	6,3	14,0	20,3	53,8	119,4	250,8	424,0
00283	55-80	336	8	584	255	1000	300	100	360	995	950	32x11,25°	22 M20	33,0	133,0	256,0	8,6	19,4	29,3	63,2	142,6	314,9	520,7
00284	70-100	354	8	612	275	1075	310	110	390	1070	1025	32x11,25°	24 M22	37,0	142,0	264,0	12,0	27,0	40,7	74,8	169,2	383,7	627,7
00285	95-135	398	10	709	275	1165	370	120	390	1160	1110	32x11,25°	26 M24	42,0	160,0	370,0	20,0	43,7	60,5	107,8	234,2	483,0	825,0
00286	115-160	415	10	741	320	1245	385	130	450	1240	1190	32x11,25°	26 M24	43,0	169,0	322,0	26,3	57,5	79,0	123,5	270,6	570,5	964,6
00287	160-220	439	10	781	340	1360	400	140	480	1355	1295	32x11,25°	30 M27	48,0	181,0	337,0	39,8	87,5	117,0	156,1	345,9	709,0	1211,0
00288	200-260	539	12	955	370	1465	480	180	520	1460	1395	32x11,25°	33 M30	65,0	227,0	406,0	66,7	160,3	186,7	226,6	529,5	982,7	1738,8
00290	265-360	550	15	1001	390	1575	500	180	550	1565	1500	32x11,25°	33 M30	60,0	229,0	437,0	99,6	246,8	265,9	296,0	726,2	1196,3	2218,5
00292	310-425	569	15	1044	430	1695	520	180	600	1685	1615	32x11,25°	36 M33	64,0	239,0	454,0	135,5	355,8	378,7	339,0	890,0	1467,2	2696,2
00293	360-480	569	15	1044	430	1748	520	180	600	1738	1675	32x11,25°	36 M33	63,0	239,0	462,0	161,7	403,2	456,3	381,3	953,0	1577,4	2911,7
00294	420-570	583	15	1050	430	1800	520	180	600	1790	1726	32x11,25°	36 M33	64,0	241,0	464,0	182,8	439,9	482,6	402,4	977,8	1581,3	2961,5

CENTAX-SEC

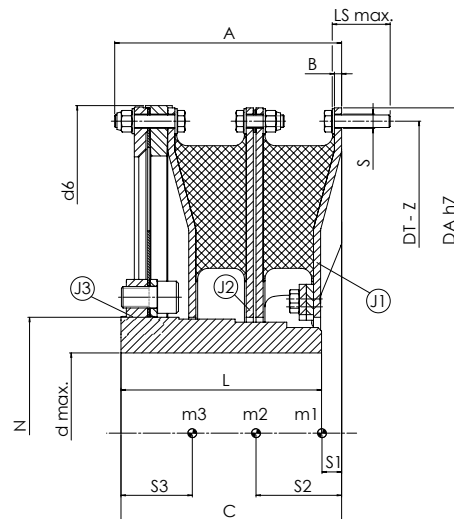
SERIES 200-GFS2

ARTICLE CODE: 040G-____-FS20

FLYWHEEL-SHAFT

TWO SEGMENTED ELEMENTS AND MEMBRANE

INNER HUB



DIMENSIONS

↓ SIZES 276-294

Size	T _{KN} [kNm]	Dimensions								Flange dimensions				Distance centre of gravity, moments of inertia and masses									
		A	B	C	d _{max}	d ₆	L	LS _{max}	N	D _A [h7]	D _T	Z	S	S ₁	S ₂	S ₃	J ₁	J ₂	J ₃	m ₁	m ₂	m ₃	m _{total}
00276	22-30	259,5	8	247,5	180	735	225	70	260	730	700	32x11,25°	16 M14	22,0	97,0	66,0	2,2	4,5	7,8	31,0	60,5	132,1	223,6
00277	28-40	273	8	262	180	795	235	75	280	790	755	32x11,25°	18 M16	23,0	104,0	67,0	3,2	6,3	10,9	37,8	73,7	159,8	271,3
00279	35-50	299	8	278	220	865	250	80	310	860	820	32x11,25°	20 M18	25,0	112,0	76,0	4,5	8,9	15,1	44,8	88,2	190,7	323,7
00281	45-65	324	8	314,5	235	925	285	95	330	920	880	32x11,25°	20 M18	31,0	127,0	91,0	6,3	14,0	19,8	53,8	119,4	231,0	404,2
00283	55-80	336	8	329	255	1000	300	100	360	995	950	32x11,25°	22 M20	33,0	133,0	96,0	8,6	19,4	28,5	63,2	142,6	288,7	494,5
00284	70-100	354	8	347	275	1075	310	110	385	1070	1025	32x11,25°	24 M22	37,0	142,0	97,0	12,0	27,0	39,2	74,8	169,2	345,0	589,0
00285	95-135	398	10	384	275	1165	370	120	390	1160	1110	32x11,25°	26 M24	42,0	160,0	115,0	20,0	43,7	60,1	107,8	234,2	478,4	820,4
00286	115-160	415	10	401	320	1245	385	130	450	1240	1190	32x11,25°	26 M24	43,0	169,0	121,0	26,3	57,5	76,3	123,5	270,6	519,6	913,7
00287	160-220	439	10	450	340	1360	400	140	480	1355	1295	32x11,25°	30 M27	48,0	181,0	137,0	39,8	87,5	114,2	156,1	345,9	662,5	1164,5
00288	200-260	539	12	546	370	1465	480	180	515	1460	1395	32x11,25°	33 M30	63,0	227,0	162,0	65,4	162,9	177,2	221,7	539,3	872,7	1633,7
00290	265-360	550	15	583,5	390	1575	500	180	550	1565	1500	32x11,25°	33 M30	60,0	229,0	182,0	99,6	245,3	257,8	296,0	723,8	1092,4	2112,2
00292	310-425	569	15	608,5	430	1695	520	180	600	1685	1615	32x11,25°	36 M33	63,0	239,0	186,0	135,0	355,8	372,6	335,3	890,0	1344,9	2570,2
00293	360-480	569	15	608,5	430	1748	520	180	600	1738	1675	32x11,25°	36 M33	63,0	239,0	183,0	161,7	403,2	445,3	381,3	953,0	1450,5	2784,8
00294	420-570	583	15	614,5	430	1800	520	180	600	1790	1726	32x11,25°	36 M33	64,0	241,0	184,0	182,8	439,9	470,1	402,4	977,8	1452,3	2832,5

CENTAX-SEC

SERIES 200-GFS2

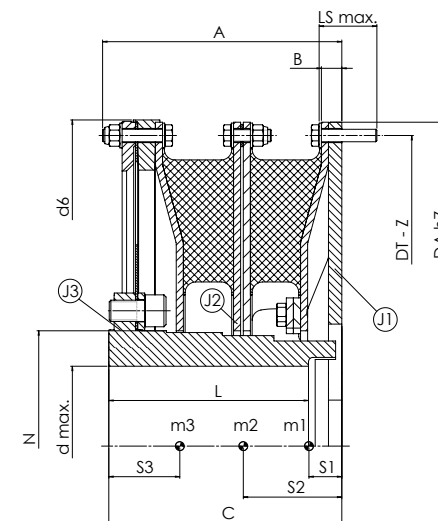
ARTICLE CODE: 040G-____-FS21

FLYWHEEL-SHAFT

TWO SEGMENTED ELEMENTS AND MEMBRANE

WITH FAILSAFE DEVICE

INNER HUB



DIMENSIONS

↓ SIZES 276-294

Size	T _{KN} [kNm]	Dimensions								Flange dimensions				Distance centre of gravity, moments of inertia and masses									
		A	B	C	d _{max}	d ₆	L	LS _{max}	N	D _A [h7]	D _T	Z	S	S ₁	S ₂	S ₃	J ₁	J ₂	J ₃	m ₁	m ₂	m ₃	m _{total}
00276	22-30	274,5	23	262,5	180	735	225	70	260	730	700	32x11,25°	16 M14	20,0	112,0	68,0	5,4	4,5	7,8	73,3	60,5	133,5	267,3
00277	28-40	288	23	277	180	795	235	75	280	790	755	32x11,25°	18 M16	21,0	119,0	69,0	7,5	6,3	10,9	88,3	73,7	161,8	323,8
00279	35-50	314	23	293	220	865	250	80	310	860	820	32x11,25°	20 M18	22,0	127,0	80,0	10,6	8,9	15,1	102,2	88,2	194,6	385,0
00281	45-65	344	28	334,5	235	925	285	95	330	920	880	32x11,25°	20 M18	25,0	147,0	95,5	16,8	14,0	19,9	142,0	119,4	235,9	497,3
00283	55-80	356	28	349	255	1000	300	100	360	995	950	32x11,25°	22 M20	26,0	153,0	99,0	23,0	19,4	28,5	165,9	142,6	293,3	601,8
00284	70-100	374	28	367	275	1075	310	110	385	1070	1025	32x11,25°	24 M22	28,0	162,0	104,0	31,2	27,0	39,5	193,7	169,2	354,7	717,6
00285	95-135	418	30	404	275	1165	370	120	390	1160	1110	32x11,25°	26 M24	32,0	180,0	117,0	46,7	43,7	60,2	251,3	234,2	482,5	968,0
00286	115-160	435	30	421	320	1245	385	130	450	1240	1190	32x11,25°	26 M24	33,0	189,0	123,0	61,3	57,5	76,4	285,6	270,6	522,2	1078,4
00287	160-220	459	30	470	340	1360	400	140	480	1355	1295	32x11,25°	30 M27	36,0	201,0	147,0	89,5	87,5	115,2	350,6	345,9	686,2	1382,7
00288	200-260	569	42	577	370	1465	480	180	513	1460	1395	32x11,25°	33 M30	47,0	257,0	186,0	167,0	160,3	181,2	564,9	529,5	912,5	2006,9
00290	265-360	580	45	613,5	390	1575	500	180	550	1565	1500	32x11,25°	33 M30	48,0	259,0	191,0	232,2	245,3	259,6	684,9	723,8	1123,3	2532,0
00292	310-425	588	45	638,5	430	1695	520	180	600	1685	1615	32x11,25°	36 M33	49,0	269,0	196,0	313,4	355,8	375,9	788,7	890,0	1388,5	3067,2
00293	360-480	588	45	638,5	430	1748	520	180	600	1738	1675	32x11,25°	36 M33	49,0	269,0	192,0	363,9	403,2	448,1	864,5	953,0	1489,5	3307,0
00294	420-570	613	45	644,5	430	1800	520	180	600	1790	1726	32x11,25°	36 M33	50,0	271,0	194,0	411,0	441,9	472,4	919,5	980,4	1491,8	3391,7

CENTAX-SEC

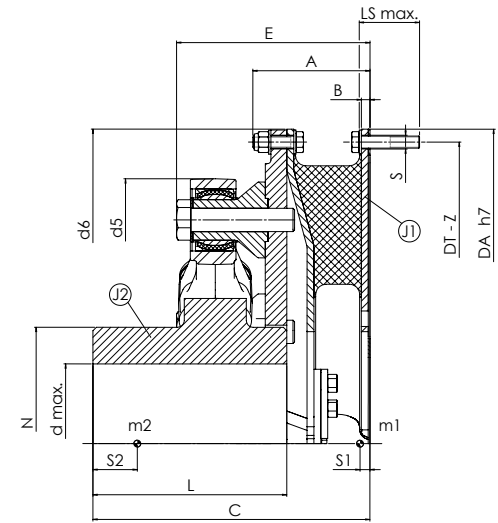
SERIES 200-LFS1

ARTICLE CODE: 041L-_____-FS10

FLYWHEEL-SHAFT

ONE SEGMENTED ELEMENT AND LINK COUPLING

OUTER HUB



DIMENSIONS		↓ SIZES 276-284																				
Size	T _{KN} [kNm]	Dimensions										Flange dimensions				Distance centre of gravity, moments of inertia and masses						
		A	B	C	d _{max}	d ₅	d ₆	E	L	LS _{max}	N	D _A [h7]	D _T	Z	S	S ₁	S ₂	J ₁ [kgm ²]	J ₂	m ₁	m ₂	m _{total}
00276	22-30	137,5	10	323	185	615	730	226	225	70	270	730	700	32x11,25°	16 M14	12,0	175,0	2,1	10,4	30,4	204,1	234,5
00277	28-40	149	10	252,5	200	740	790	283,5	235	75	280	790	755	32x11,25°	18 M16	13,0	188,0	3,0	18,7	37,0	293,8	330,8
00279	35-50	162	10	374,5	220	785	860	291,5	250	80	315	860	820	32x11,25°	20 M18	14,0	197,0	4,2	28,1	44,1	376,4	420,5
00281	45-65	187	12	424,5	235	785	920	306,5	285	95	340	920	880	32x11,25°	20 M18	14,0	230,0	6,5	36,3	58,3	431,7	490,0
00283	55-80	193	12	444	255	898	995	312,5	300	100	370	995	950	32x11,25°	22 M20	15,0	235,0	9,0	55,1	69,2	572,4	641,6
00284	70-100	207	12	463	275	933	1070	321,5	310	110	400	1070	1025	32x11,25°	24 M22	16,0	245,0	12,4	71,2	81,6	637,8	719,4

CENTAX-SEC

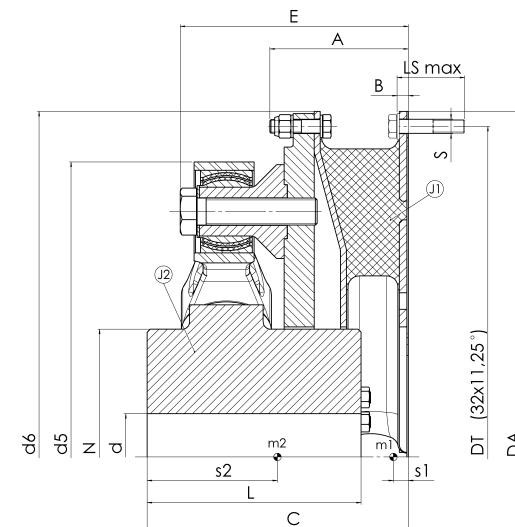
SERIES 200-LFS1

ARTICLE CODE: 041L-____-FS10

FLYWHEEL-SHAFT

ONE SEGMENTED ELEMENT AND LINK COUPLING

INNER HUB



DIMENSIONS

↓ SIZES 276-284

Size	T _{KN} [kNm]	Dimensions										Flange dimensions				Distance centre of gravity, moments of inertia and masses						
		A	B	C	d _{max}	d ₅	d ₆	E	L	LS _{max}	N	D _A [h7]	D _T	Z	S	S ₁	S ₂	J ₁ [kgm ²]	J ₂	m ₁	m ₂	m _{total}
00276	22-30	137,5	10	264	185	615	730	226	225	70	270	730	700	32x11,25°	16 M14	12,0	131,0	2,1	10,4	30,4	201,7	232,1
00277	28-40	149	10	326,5	200	740	790	283,5	235	75	280	790	755	32x11,25°	18 M16	13,0	167,0	3,0	18,7	37,0	292,7	329,7
00279	35-50	162	10	335,5	220	785	860	291,5	250	80	315	860	820	32x11,25°	20 M18	14,0	166,0	4,2	28,1	44,1	376,4	420,5
00281	45-65	187	12	350,5	235	785	920	306,5	285	95	340	920	880	32x11,25°	20 M18	14,0	174,0	6,5	36,3	58,3	431,7	490,0
00283	55-80	193	12	358	255	898	995	312,5	300	100	370	995	950	32x11,25°	22 M20	15,0	169,0	9,0	55,1	69,2	572,0	641,2
00284	70-100	207	12	367	275	933	1070	321,5	310	110	400	1070	1025	32x11,25°	24 M22	16,0	174,0	12,4	71,2	81,6	639,0	720,6

CENTAX-SEC

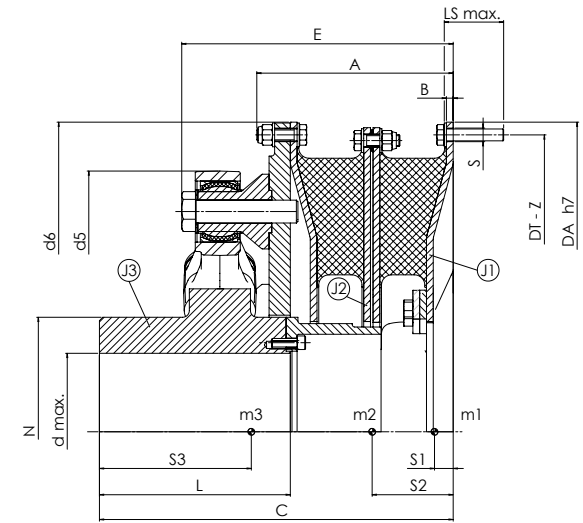
SERIES 200-LFS2

ARTICLE CODE: 041L-_____-FS20

FLYWHEEL-SHAFT

TWO SEGMENTED ELEMENTS AND LINK COUPLING

OUTER HUB



DIMENSIONS

↓ SIZES 276-284

Size	T _{KN} [kNm]	Dimensions										Flange dimensions				Distance centre of gravity, moments of inertia and masses													
		A	B	C	d _{max}	d ₅	d ₆	E	L	LS _{max}	N	D _A [h7]	D _T	Z	S	S ₁	S ₂	S ₃	J ₁	J ₂	J ₃	m ₁	m ₂	m ₃	m _{total}				
																[kgm ²]										[kg]			
00276	22-30	234,5	8	420	185	615	730	323	225	70	270	730	700	32x11,25°	16 M14	22,0	97,0	179,0	2,2	4,5	10,5	30,7	60,8	212,9	304,4				
00277	28-40	253	8	456,5	200	740	790	387,5	235	75	280	790	755	32x11,25°	18 M16	23,0	104,0	192,0	3,1	6,4	18,8	37,2	74,8	302,5	414,5				
00279	35-50	269	8	481,5	220	785	860	398,5	250	80	315	860	820	32x11,25°	20 M18	24,0	112,0	201,0	4,4	9,2	28,4	44,0	90,3	390,7	525,0				
00281	45-65	314	8	551,5	235	785	920	433,5	285	95	340	920	880	32x11,25°	20 M18	31,0	127,0	296,0	6,4	13,9	38,8	54,6	118,2	453,2	626,0				
00283	55-90	326	8	577	255	898	995	445,5	300	100	370	995	950	32x11,25°	22 M20	33,0	133,0	240,0	8,8	19,3	55,8	64,4	141,2	597,3	802,9				
00284	70-100	349	8	605	275	933	1070	463,5	310	110	400	1070	1025	32x11,25°	24 M22	37,0	142,0	253,0	12,2	26,8	72,6	75,8	167,5	67,1	916,4				

CENTAX-SEC

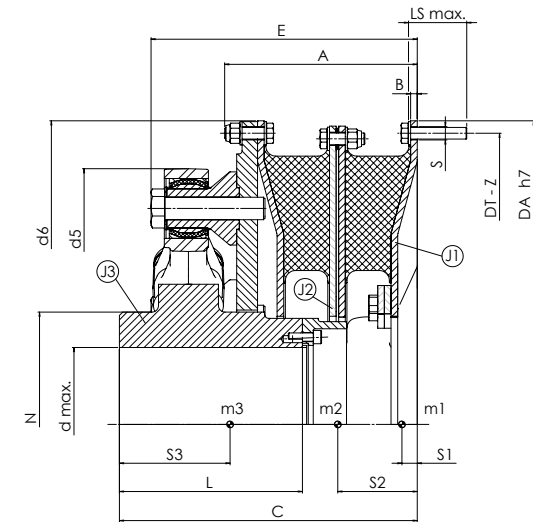
SERIES 200-LFS2

ARTICLE CODE: 041L-____-FS20

FLYWHEEL-SHAFT

TWO SEGMENTED ELEMENTS AND LINK COUPLING

INNER HUB



DIMENSIONS

↓ SIZES 276-284

Size	T _{KN} [kNm]	Dimensions										Flange dimensions				Distance centre of gravity, moments of inertia and masses											
		A	B	C	d _{max}	d ₅	d ₆	E	L	LS _{max}	N	D _A [h7]	D _T	Z	S	S ₁	S ₂	S ₃	J ₁	J ₂	J ₃	m ₁	m ₂	m ₃	m _{total}		
																[kgm ²]								[kg]			
00276	22-30	234,5	8	361	185	615	730	323	225	70	270	730	700	32x11,25°	16 M14	22,0	97,0	133,0	2,2	4,5	10,4	30,7	60,8	206,0	297,5		
00277	28-40	253	8	430,5	200	740	790	387,5	235	75	280	790	755	32x11,25°	18 M16	23,0	104,0	170,0	3,1	6,4	18,8	37,2	74,8	299,2	411,2		
00279	35-50	274	8	447,5	220	785	860	403,5	250	80	315	860	820	32x11,25°	20 M18	24,0	112,0	170,0	4,4	9,2	28,3	44,0	90,3	387,4	521,7		
00281	45-65	314	8	477,5	235	785	920	433,5	285	95	340	920	880	32x11,25°	20 M18	31,0	127,0	178,0	6,4	13,9	36,6	54,6	118,2	444,6	617,4		
00283	55-80	326	8	491	255	898	995	445,5	300	100	370	995	950	32x11,25°	22 M20	33,0	133,0	173,0	8,8	19,3	55,5	64,4	141,2	585,6	791,2		
00284	70-100	349	8	509	275	933	1070	463,5	310	110	400	1070	1025	32x11,25°	24 M22	37,0	142,0	178,0	12,2	26,8	71,9	75,8	167,5	655,3	898,6		

CENTAX-SEC

SERIES 200-LFS2

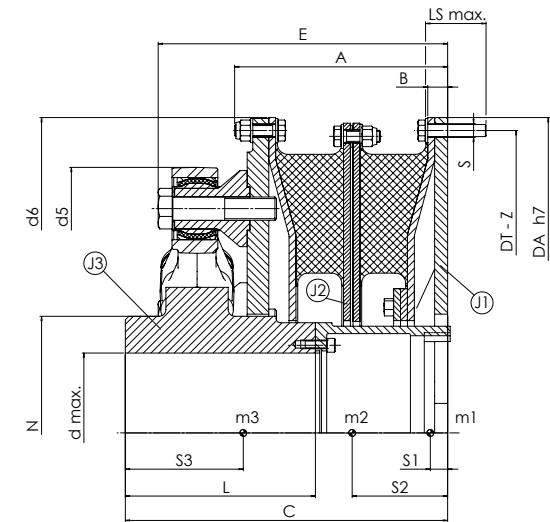
ARTICLE CODE: 041L-_____-FS21

FLYWHEEL-SHAFT

TWO SEGMENTED ELEMENTS AND LINK COUPLING

WITH FAILSAFE DEVICE

INNER HUB



DIMENSIONS

↓ SIZES 276-284

Size	T _{KN} [kNm]	Dimensions										Flange dimensions				Distance centre of gravity, moments of inertia and masses									
		A	B	C	d _{max}	d ₅	d ₆	E	L	LS _{max}	N	D _A [h7]	D _T	Z	S	S ₁	S ₂	S ₃	J ₁	J ₂	J ₃	m ₁	m ₂	m ₃	m _{total}
00276	22-30	249,5	23	376	185	615	730	338	225	70	270	730	700	32x11,25°	16 M14	20,0	112,0	137,0	5,4	4,5	10,4	72,7	60,8	209,8	343,3
00277	28-40	268	23	445,5	200	740	790	402,5	235	75	280	790	755	32x11,25°	18 M16	20,0	119,0	172,0	7,4	6,4	18,8	87,5	74,8	302,5	465,0
00279	35-50	289	23	462,5	220	785	860	418,5	250	80	315	860	820	32x11,25°	20 M18	21,0	127,0	173,0	10,4	9,2	28,4	101,4	90,3	329,7	584,4
00281	45-65	334	28	497,5	235	785	920	453,5	285	95	340	920	880	32x11,25°	20 M18	26,0	147,0	183,0	16,9	13,9	36,8	142,8	118,2	453,2	714,2
00283	55-80	246	28	511	255	898	995	465	300	100	370	995	950	32x11,25°	22 M20	27,0	153,0	177,0	23,1	19,3	55,8	166,6	141,2	585,8	903,6
00284	70-100	369	28	529	275	933	1070	483,5	310	110	400	1070	1025	32x11,25°	24 M22	28,0	162,0	184,0	31,4	26,8	72,4	194,8	167,5	669,6	1031,9

CENTAX-SEC

SERIES 400-G

ARTICLE CODE: 045G-____-__1__



ONE SEGMENTED ELEMENT AND MEMBRANE

TECHNICAL DATA			↓ SIZES 496-498										
1	2	3	4	5	6	7	8	9	10	11	12	13	14
Size	Rubber quality [Shore A]	Nominal torque T_{KN} [kNm]	Maximum torque T_{Kmax} [kNm]	Continuous vibratory torque T_{KW} [kNm]	Permissible power loss P_{KV} [kW]	Dynamic torsional stiffness C_{Tdyn} [kNm/rad]	Relative damping ψ	Speed n_{max} [min ⁻¹]	Permissible axial displacement ΔK_a [mm]	Axial stiffness C_a [kN/mm]	Permissible radial displacement ΔK_r [mm]	Radial stiffness C_{rdyn} [kN/mm]	Permissible angular displacement ΔK_w [°]
00496	50	425,00	1275,00	106,25	2,48	3500,00	1,05	675	± 17	2,00	8,50	10,10	0,50
	60	500,00	1500,00	125,00	2,60	4300,00	1,10						
	70	550,00	1650,00	137,50	2,73	7600,00	1,15						
00498	50	500,00	1500,00	125,00	2,70	4200,00	1,05	600	± 18	2,50	9,00	11,90	0,50
	60	600,00	1800,00	150,00	2,84	5300,00	1,10						
	70	650,00	1950,00	162,50	2,97	9250,00	1,15						

CENTAX-SEC

SERIES 400-G

ARTICLE CODE: 045G-____-__2_



TWO SEGMENTED ELEMENTS AND MEMBRANE

TECHNICAL DATA			↓ SIZES 496-498										
1	2	3	4	5	6	7	8	9	10	11	12	13	14
Size	Rubber quality [Shore A]	Nominal torque T_{KN} [kNm]	Maximum torque T_{Kmax} [kNm]	Continuous vibratory torque T_{KW} [kNm]	Permissible power loss P_{KV} [kW]	Dynamic torsional stiffness C_{Tdyn} [kNm/rad]	Relative damping ψ	Speed n_{max} [min ⁻¹]	Permissible axial displacement ΔK_a [mm]	Axial stiffness C_a [kN/mm]	Permissible radial displacement ΔK_r [mm]	Radial stiffness C_{rdyn} [kN/mm]	Permissible angular displacement ΔK_w [°]
00496	50	425,00	1275,00	106,25	4,96	1750,00	1,05	675	± 17	2,00	17,00	5,05	0,50
	60	500,00	1500,00	125,00	5,21	2150,00	1,10						
	70	550,00	1650,00	137,50	5,46	3800,00	1,15						
00498	50	500,00	1500,00	125,00	5,40	2100,00	1,05	600	± 18	2,50	18,00	5,95	0,50
	60	600,00	1800,00	150,00	5,67	2650,00	1,10						
	70	650,00	1950,00	162,50	5,94	4625,00	1,15						

CENTAX-SEC

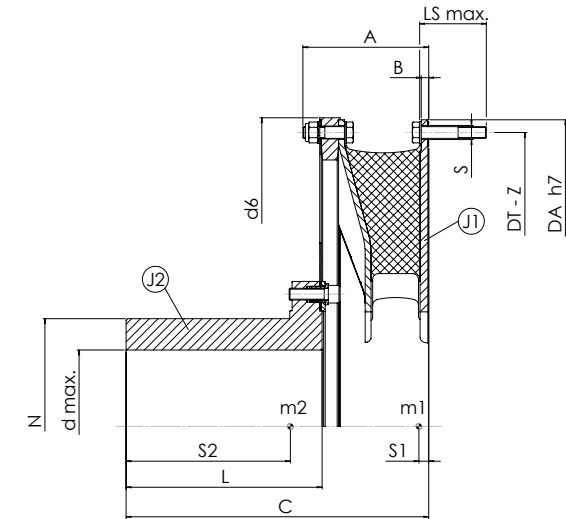
SERIES 400-GFS1

ARTICLE CODE: 045G-____-FS10

FLYWHEEL-SHAFT

ONE SEGMENTED ELEMENT AND MEMBRANE

OUTER HUB



DIMENSIONS

↓ SIZES 496-498

Size	T_{KN} [kNm]	A	B	C	Dimensions					D_A [h7]	Flange dimensions			Distance centre of gravity, moments of inertia and masses						
					d_{max}	d_6	L	LS_{max}	N		D_T	Z	S	S_1	S_2	J_1	J_2	m_1	m_2	m_{total}
00496	425-550	347	24	847	480	1950	540	190	675	1940	1870	32x11,25°	36 M33	28,0	427,0	315,9	622,9	618,9	1739,2	2358,1
00498	500-650	347	24	847	480	1950	540	190	675	1940	1870	48x7,5°	36 M33	30,0	459,0	331,8	660,8	642,3	1783,9	2426,2

CENTAX-SEC

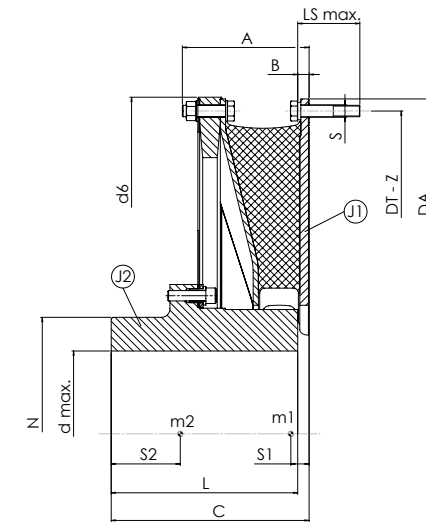
SERIES 400-GFS1

ARTICLE CODE: 045G-____-FS10

FLYWHEEL-SHAFT

ONE SEGMENTED ELEMENT AND MEMBRANE

INNER HUB



DIMENSIONS

↓ SIZES 496-498

Size	T_{KN} [kNm]	A	B	C	Dimensions					D_A [h7]	Flange dimensions				Distance centre of gravity, moments of inertia and masses					
					d_{max}	d_6	L	LS_{max}	N		D_T	Z	S	S_1	S_2	J_1	J_2	m_1	m_2	m_{total}
00496	425-550	367	33	573,0	480	1950	540	180	675	1940	1870	32x11,25°	36 M33	24,0	289,0	303,5	760,5	591,7	2045,5	2637,2
00498	500-650	367	33	573,0	480	1950	540	180	675	1940	1870	48x7,5°	36 M33	26,0	303,0	315,5	795,7	608,6	2089,5	2698,1

CENTAX-SEC

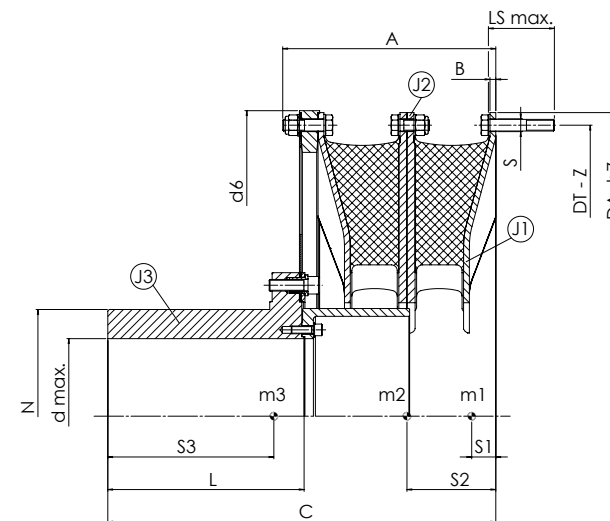
SERIES 400-GFS2

ARTICLE CODE: 045G-____-FS20

FLYWHEEL-SHAFT

TWO SEGMENTED ELEMENTS AND MEMBRANE

OUTER HUB



DIMENSIONS

↓ SIZES 496-498

Size	T_{KN} [kNm]	A	B	C	Dimensions					N	Flange dimensions				Distance centre of gravity, moments of inertia and masses									
					d_{max}	d_6	L	LS_{max}	D_A [h7]		D_T	Z	S	S_1	S_2	S_3	J_1	J_2	J_3	m_1	m_2	m_3	m_{total}	
00496	425-550	612	15	1112	480	1950	540	180	675	1940	1870	32x11,25°	36 M33	67,0	256,0	482,0	230,7	670,1	750,4	438,6	1281,7	2038,2	3758,5	
00498	500-650	612	15	1112	480	1950	540	180	675	1940	1870	48x7,5°	36 M33	67,0	256,0	484,0	246,8	720,3	781,9	458,0	1349,2	2075,2	3882,4	

CENTAX-SEC

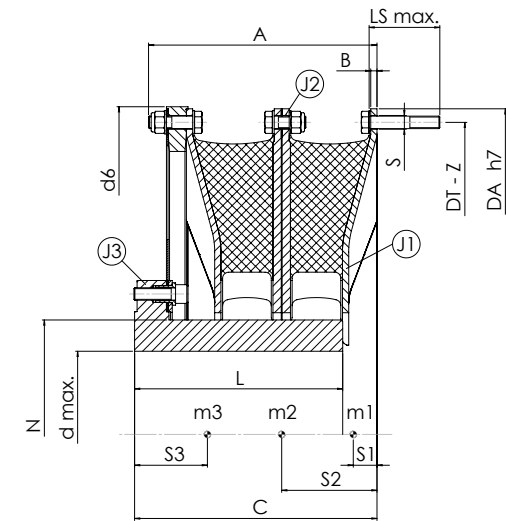
SERIES 400-GFS2

ARTICLE CODE: 045G-____-FS20

FLYWHEEL-SHAFT

TWO SEGMENTED ELEMENTS AND MEMBRANE

INNER HUB



DIMENSIONS

↓ SIZES 496-498

Size	T_{KN} [kNm]	Dimensions								Flange dimensions				Distance centre of gravity, moments of inertia and masses									
		A	B	C	d_{max}	d_6	L	LS_{max}	N	D_A [h7]	D_T	Z	S	S_1	S_2	S_3	J_1	J_2	J_3	m_1	m_2	m_3	m_{total}
00496	425-550	602	15	654,5	480	1950	540	190	675	1940	1870	32x11,25°	36 M33	67,0	256,0	195,0	230,7	670,1	732,7	438,6	1281,7	1879,7	3600,0
00498	500-650	602	15	654,5	480	1950	540	190	675	1940	1870	48x7,5°	36 M33	67,0	256,0	191,0	246,8	720,6	764,1	458,0	1349,6	1916,6	3824,2

CENTAX-SEC

SERIES 400-GFS2

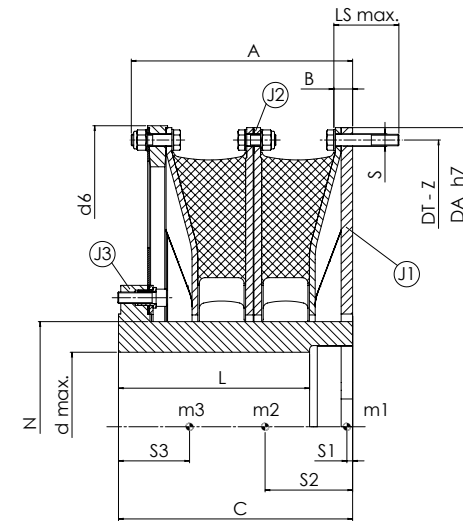
ARTICLE CODE: 045G-____-FS21

FLYWHEEL-SHAFT

TWO SEGMENTED ELEMENTS AND MEMBRANE

WITH FAILSAFE DEVICE

INNER HUB



DIMENSIONS

↓ SIZES 496-498

Size	T_{KN} [kNm]	Dimensions								Flange dimensions				Distance centre of gravity, moments of inertia and masses													
		A	B	C	d_{max}	d_6	L	LS_{max}	N	D_A [h7]	D_T	Z	S	S_1	S_2	S_3	J_1	J_2	J_3	m_1	m_2	m_3	m_{total}				
																						[kgm ²]			[kg]		
00496	425-550	637	50	679,5	480	1950	540	190	675	1940	1870	32x11,25°	36 M33	50,0	291,0	207,0	599,4	670,1	627,9	1143,8	1281,7	1794,6	4220,1				
00498	500-650	637	50	679,5	480	1950	540	190	675	1940	1870	48x7,5°	36 M33	51,0	291,0	206,0	611,6	720,9	659,6	1158,7	1350,2	1831,9	4340,8				

CENTAX-SEC

SERIES B

ARTICLE CODE: 015B-_____-__1_



ONE RING ELEMENT AND BOLTS

TECHNICAL DATA			↓ SIZES 64-78				→ SIZES 80-188										
1	2	3	4	5	6	7	8	9	10	11	12	13	14				
Size	Rubber quality	Nominal torque	Maximum torque	Continuous vibratory torque	Permissible power loss	Dynamic torsional stiffness	Relative damping	Speed	Permissible axial displacement	Axial stiffness	Permissible radial displacement	Radial stiffness	Permissible angular displacement				
	[Shore A]	T_{KN} [kNm]	T_{Kmax} [kNm]	T_{KV} [kNm]	P_{KV} [kW]	C_{tdyn} [kNm/rad]	ψ	n_{max} [min ⁻¹]	ΔK_a [mm]	C_a [kN/mm]	ΔK_r [mm]	C_{rdyn} [kN/mm]	ΔK_w [°]				
00064	50	5,50	16,50	1,38	0,36	21,20	1,05	2900	± 5	DEPENDING ON ACTUAL TORQUE	3,00	1,00	0,50				
	60	6,00	18,00	1,50	0,38	26,80	1,10										
	70	6,50	19,50	1,63	0,40	56,00	1,15										
00066	50	7,50	22,50	1,88	0,46	47,00	1,05	2900	± 5		DEPENDING ON ACTUAL TORQUE	4,00	1,30	0,50			
	60	8,30	24,75	2,06	0,48	58,00	1,10										
	70	9,00	27,00	2,25	0,50	105,00	1,15										
00067	50	6,00	18,00	1,50	0,36	25,50	1,05	2900	± 5			DEPENDING ON ACTUAL TORQUE	3,00	1,30	0,50		
	60	6,60	19,80	1,65	0,38	31,80	1,10										
	70	7,20	21,60	1,80	0,40	65,00	1,15										
00069*	50	11,00	33,00	2,75	0,54	68,00	1,05	2900	± 5				DEPENDING ON ACTUAL TORQUE	4,00	1,40	0,50	
	60	12,00	36,00	3,00	0,57	85,00	1,10										
	70	13,00	39,00	3,25	0,60	155,00	1,15										
00071	50	11,50	34,50	2,88	0,54	68,00	1,05	2900	± 5					DEPENDING ON ACTUAL TORQUE	4,00	1,50	0,50
	60	12,50	37,50	3,13	0,57	85,00	1,10										
	70	13,00	39,00	3,25	0,60	155,00	1,15										
00072	50	15,00	45,00	3,75	0,61	94,50	1,05	2750	± 5	DEPENDING ON ACTUAL TORQUE					5,00	1,80	0,50
	60	16,50	49,50	4,13	0,64	118,00	1,10										
	70	18,00	54,00	4,50	0,67	212,00	1,15										
00075	50	20,00	60,00	5,00	0,68	135,00	1,05	2300	± 5		DEPENDING ON ACTUAL TORQUE				5,50	2,10	0,50
	60	22,00	66,00	5,50	0,71	168,00	1,10										
	70	25,00	75,00	6,25	0,75	305,00	1,15										
00078	50	31,50	94,50	7,88	0,82	190,00	1,05	2000	± 5			DEPENDING ON ACTUAL TORQUE			6,00	2,30	0,25
	60	35,00	105,00	8,75	0,86	237,00	1,10										
	70	40,00	120,00	10,00	0,90	430,00	1,15										

* This size only for engines turning left with view onto the flywheel!

CENTAX-SEC

SERIES B

ARTICLE CODE: 015B-_____-__1_



ONE RING ELEMENT AND BOLTS

TECHNICAL DATA			↓ SIZES 80-188				← SIZES 64-78						
1	2	3	4	5	6	7	8	9	10	11	12	13	14
Size	Rubber quality	Nominal torque	Maximum torque	Continuous vibratory torque	Permissible power loss	Dynamic torsional stiffness	Relative damping	Speed	Permissible axial displacement	Axial stiffness	Permissible radial displacement	Radial stiffness	Permissible angular displacement
	[Shore A]	T_{KN} [kNm]	T_{Kmax} [kNm]	T_{KW} [kNm]	P_{KV} [kW]	C_{Tdyn} [kNm/rad]	ψ	n_{max} [min ⁻¹]	ΔK_a [mm]	C_a [kN/mm]	ΔK_r [mm]	C_{rdyn} [kN/mm]	ΔK_w [°]
00080	50	40,00	120,00	10,00	0,95	267,00	1,05	1725	± 5	DEPENDING ON ACTUAL TORQUE	7,00	2,60	0,25
	60	44,00	132,00	11,00	1,00	334,00	1,10				7,00	3,30	
	70	50,00	150,00	12,50	1,05	600,00	1,15				4,20	5,60	
00081	50	50,00	150,00	12,50	1,03	320,00	1,05	1500	± 5		7,00	3,15	0,25
	60	55,00	165,00	13,75	1,08	400,00	1,10				7,00	3,90	
	70	63,00	189,00	15,75	1,13	730,00	1,15				4,20	6,90	
00082	50	63,00	189,00	15,75	1,10	415,00	1,05	1200	± 5		8,00	3,00	0,25
	60	70,00	210,00	17,50	1,15	518,00	1,10				8,00	3,90	
	70	80,00	230,00	20,00	1,20	900,00	1,15				4,80	6,50	
00084	50	80,00	240,00	20,00	1,22	525,00	1,05	1100	± 5		8,00	3,20	0,25
	60	90,00	270,00	22,50	1,28	656,00	1,10				8,00	4,00	
	70	100,00	270,00	25,00	1,34	1170,00	1,15				4,80	7,10	
00085	50	90,00	270,00	22,50	1,25	540,00	1,05	1100	± 5		8,00	3,30	0,25
	60	100,00	300,00	25,00	1,31	675,00	1,10				8,00	4,20	
	70	115,00	345,00	28,75	1,37	1210,00	1,15			4,80	7,30		
00186	50	125,00	375,00	31,25	1,69	875,00	1,05	1100	± 5	8,00	5,70	0,50	
	60	150,00	450,00	37,50	1,77	1090,00	1,10			8,00	7,00		
	70	180,00	540,00	45,00	1,86	1920,00	1,15			4,80	11,90		
00187	50	180,00	540,00	45,00	1,93	1250,00	1,05	1000	± 5	8,00	7,30	0,50	
	60	220,00	660,00	55,00	2,02	1560,00	1,10			8,00	8,90		
	70	250,00	750,00	62,50	2,12	2745,00	1,15			4,80	15,10		
00188	50	220,00	660,00	55,00	1,78	1300,00	1,05	1000	± 5	8,00	8,10	0,50	
	60	260,00	780,00	65,00	1,87	1560,00	1,10			8,00	9,80		
	70	280,00	840,00	70,00	1,96	2760,00	1,15			4,80	16,60		

CENTAX-SEC

SERIES B

ARTICLE CODE: 015B-_____-__1__



ONE SEGMENTED ELEMENT AND BOLTS

TECHNICAL DATA			↓ SIZES 276-283				→ SIZES 284-288						
1	2	3	4	5	6	7	8	9	10	11	12	13	14
Size	Rubber quality [Shore A]	Nominal torque T_{KN} [kNm]	Maximum torque T_{Kmax} [kNm]	Continuous vibratory torque T_{KW} [kNm]	Permissible power loss P_{KV} [kW]	Dynamic torsional stiffness C_{Tdyn} [kNm/rad]	Relative damping ψ	Speed n_{max} [min ⁻¹]	Permissible axial displacement ΔK_a [mm]	Axial stiffness C_a [kN/mm]	Permissible radial displacement ΔK_r [mm]	Radial stiffness C_{rdyn} [kN/mm]	Permissible angular displacement ΔK_w [°]
00276	50	22,00	66,00	5,50	0,83	154,00	1,05	1800	± 5	DEPENDING ON ACTUAL TORQUE	5,50	3,20	0,50
	60	26,00	78,00	6,50	0,87	193,00	1,10				5,50	4,00	
	70	30,00	84,00	7,50	0,91	340,00	1,15				3,30	6,70	
00277	50	28,00	84,00	7,00	0,91	210,00	1,05	1700	± 5		6,00	3,60	0,50
	60	34,00	102,00	8,50	0,96	265,00	1,10				6,00	4,30	
	70	40,00	112,00	10,00	1,00	465,00	1,15				3,60	7,30	
00279	50	35,00	105,00	8,75	0,99	265,00	1,05	1600	± 5		7,00	3,90	0,50
	60	44,00	132,00	11,00	1,04	335,00	1,10				7,00	4,80	
	70	50,00	140,00	12,50	1,09	585,00	1,15				4,20	8,10	
00281	50	45,00	135,00	11,25	1,10	314,00	1,05	1450	± 5		7,00	3,90	0,50
	60	55,00	165,00	13,75	1,16	393,00	1,10				7,00	4,70	
	70	65,00	182,00	16,25	1,21	690,00	1,15				4,20	8,00	
00283	50	55,00	165,00	13,75	1,19	408,00	1,05	1250	± 5		7,50	4,40	0,50
	60	70,00	210,00	17,50	1,25	510,00	1,10				7,50	5,40	
	70	80,00	224,00	20,00	1,31	900,00	1,15			4,50	9,10		

CENTAX-SEC

SERIES B

ARTICLE CODE: 015B-_____-__1__



ONE SEGMENTED ELEMENT AND BOLTS

TECHNICAL DATA			↓ SIZES 284-288			← SIZES 276-283							
1	2	3	4	5	6	7	8	9	10	11	12	13	14
Size	Rubber quality [Shore A]	Nominal torque T_{KN} [kNm]	Maximum torque T_{Kmax} [kNm]	Continuous vibratory torque T_{KW} [kNm]	Permissible power loss P_{KV} [kW]	Dynamic torsional stiffness C_{Tdyn} [kNm/rad]	Relative damping ψ	Speed n_{max} [min ⁻¹]	Permissible axial displacement ΔK_a [mm]	Axial stiffness C_a [kN/mm]	Permissible radial displacement ΔK_r [mm]	Radial stiffness C_{rdyn} [kN/mm]	Permissible angular displacement ΔK_w [°]
00284	50	70,00	210,00	17,50	1,31	550,00	1,05	1250	± 5	DEPENDENT ON ACTUAL TORQUE	8,00	4,60	0,50
	60	85,00	255,00	21,25	1,38	690,00	1,10				8,00	5,70	
	70	100,00	280,00	25,00	1,44	1210,00	1,15				4,80	9,60	
00286	50	115,00	345,00	28,75	1,60	805,00	1,05	1100	± 5		8,00	5,30	0,50
	60	140,00	420,00	35,00	1,68	1006,00	1,10				8,00	6,50	
	70	160,00	448,00	40,00	1,76	1770,00	1,15				4,80	10,90	
00287	50	160,00	480,00	40,00	1,83	1150,00	1,05	1000	± 5		8,00	6,70	0,50
	60	185,00	555,00	46,25	1,92	1440,00	1,10				8,00	8,10	
	70	220,00	616,00	55,00	2,01	2530,00	1,15				4,80	13,90	
00288	50	200,00	600,00	50,00	2,00	1320,00	1,05	800	± 5		8,00	7,10	0,50
	60	240,00	720,00	60,00	2,10	1650,00	1,10				8,00	8,80	
	70	260,00	728,00	65,00	2,20	2900,00	1,15				4,80	15,50	

CENTAX-SEC

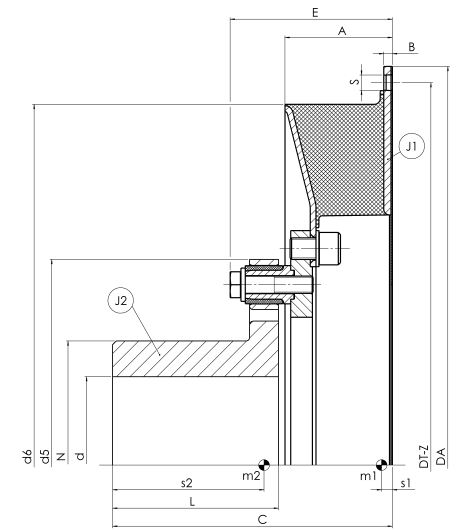
SERIES BFS1

ARTICLE CODE: 015B-_____-FS1_

FLYWHEEL-SHAFT

ONE RING ELEMENT AND BOLTS

OUTER HUB



DIMENSIONS		↓ SIZES 64-90									→ SIZES 186-188											
Size	T _{KN} [kNm]	Dimensions									Flange dimensions				Distance centre of gravity, moments of inertia and masses							
		A	B	C	d min-max	d ₅	d ₆	E	L	N	SAE	D _A [h7]	D _T	Z	S	S ₁	S ₂	J ₁	J ₂	m ₁	m ₂	m _{total}
00064	5,5-6,5	87,5	6	252,5	100-140	320	418	175,0	140	200	14	466,7	438,2	16	12,5 M12	10,0	124,0	0,2	0,7	7,2	47,3	54,5
00066	7,5-9	77,0	6	234,0	100-140	320	477	156,5	140	200	18	571,5	542,9	12	17 M16	7,5	123,0	0,5	0,9	8,9	51,4	60,3
00069*	11-13	85,5	7	242,5	100-140	330	540	165,0	140	200	18	571,5	542,9	6	17 M16	11,5	129,0	0,6	1,3	9,9	58,1	68,0
00070	11,5-13	85,5	7	242,5	100-140	330	540	165,0	140	200	-	584,0	564,0	32	13 M12	10,0	129,0	0,7	1,3	11,0	58,3	69,3
00071	11,5-13	86,0	7	243,0	100-140	330	540	165,5	140	200	21	673,1	641,4	24	17 M16	7,5	130,0	1,0	1,3	14,3	58,9	73,2
00072	15-18	93,5	7	265,5	100-155	350	598	177,5	155	220	21	673,1	641,4	24	17 M16	10,5	144,0	1,1	2,0	15,0	75,3	90,3
00075	20-25	106,0	10	309,0 324,0	100-180 180-200	430	650	196,0	180 195	258 280	24	733,4	692,2	24	19 M18	12,0	163,5 172,0	2,1	3,9 4,0	24,5	111,7 116,2	136,2 116,2
00078	31,5-40	117,0	10	317,0 332,0	100-180 180-200	430	730	204,0	180 195	258 280	-	800	770,0	32	19 M18	14,5	170,0 178,5	3,1	5,3 5,4	29,5	124,3 128,8	153,8 128,8
00080	40-50	132,0	12	379,0 449,0	120-245 245-285	570	820	213,5	230 300	344 400	-	885	855,0	48	17 M16	15,5	202,5 235,0	5,6	12,0 14,0	42,4	213,1 262,0	255,5 304,4
00081	50-63	133,0	12	380,0 450,0	120-245 245-285	570	820	217,0	230 300	344 400	-	920	880,0	32	19 M18	14,5	206,5 240,0	7,1	12,4 14,4	56,3	227,5 276,4	283,8 332,7
00082	63-80	149,5	12	388,5 458,5	120-245 245-285	570	1000	225,5	230 300	344 385	-	1105	1060	32	21 M20	14,5	209,0 244,0	13,6	18,7 20,7	69,2	242,2 291,1	311,4 360,3
00084	80-100	149,0	12	388,0 458,0	120-245 245-285	570	1000	225,0	230 300	344 400	-	1105	1060	32	21 M20	16,0	211,0 246,5	14,7	20,2 22,2	74,1	248,5 297,4	322,6 371,5
00085	90-115	149,0	12	398,0 428,0	120-245 245-275	570	1000	235,0	230 260	344 400	-	1070	1025	32	23,5 M22	17,0	217,0 209,0	13,4	20,1 22,3	73,0	255,7 314,2	328,7 387,2
00090	145-180	177,0	14	464,0 499,0	170-285 285-360	770	1230	261,0	270 305	400 508	-	1330	1295	48	21,5 M20	22,5	257,0 261,0	38,6	55,8 61,9	131,5	445,0 528,9	576,5 660,4

* This size only for engines turning left with view onto the flywheel!

CENTAX-SEC

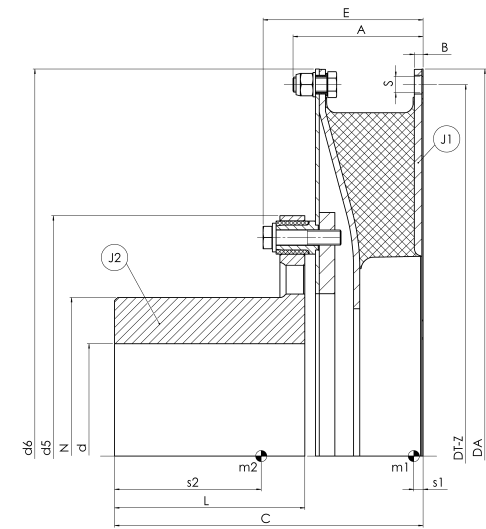
SERIES BFS1

ARTICLE CODE: 015B-____-FS1_

FLYWHEEL-SHAFT

ONE RING ELEMENT AND BOLTS

OUTER HUB



DIMENSIONS		↓ SIZES 186-188										← SIZES 64-90									
Size	T _{KN} [kNm]	Dimensions									Flange dimensions				Distance centre of gravity, moments of inertia and masses						
		A	B	C	d min-max	d ₅	d ₆	E	L	N	D _A [h7]	D _T	Z	S	S ₁	S ₂	J ₁ [kgm ²]	J ₂	m ₁	m ₂	m _{total}
00186	125-180	212	14	463	170-285	770	1240	260	270	400	1240	1190	32	26 M24	21,5	254,0	27,1	61,0	124,7	449,5	574,2
				498	285-360				305	508						259,0	67,2	533,3	658,0		
00187	180-250	229	14	475	170-285	770	1355	272	270	400	1355	1295	32	30 M27	23,0	259,0	41,1	83,1	162,5	512,6	675,1
				510	285-360				305	508						268,5	89,1	583,8	746,3		
00188	220-280	282	17	524	170-285	770	1460	321	270	400	1460	1395	32	33 M30	26,0	279,0	75,4	125,3	252,0	604,0	856,0
				559	285-360				305	508						289,0	132,7	690,4	942,4		

CENTAX-SEC

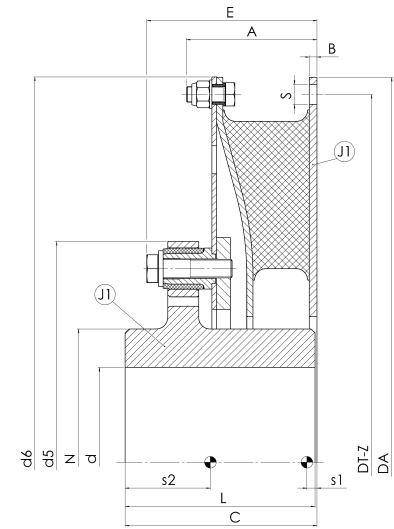
SERIES BFS1

ARTICLE CODE: 015B-____-FS1_

FLYWHEEL-SHAFT

ONE RING ELEMENT AND BOLTS

INNER HUB



DIMENSIONS		↓ SIZES 276-288																				
Size	T _{KN} [kNm]	Dimensions										Flange dimensions				Distance centre of gravity, moments of inertia and masses						
		A	B	C	d min-max	d ₅	d ₆	E	L	LS _{max}	N	D _A [h7]	D _T	Z	S	S ₁	S ₂	J ₁	J ₂	m ₁	m ₂	m _{total}
00276	22-30	127	10	211	100-190	430	730	183,5	205	65	280	730	700	32	16 M14	11,5	103,5	2,1	5,8	30,4	132,4	162,8
00277	28-40	139	10	218	100-190	430	790	190,5	205	75	280	790	755	32	18 M16	13,0	105,0	3,0	7,4	37,0	142,8	179,8
00279	35-50	147	10	226	100-190	430	860	203	220	80	280	860	820	32	20 M18	14,0	111,5	4,2	9,9	44,1	167,0	211,1
				226	190-200				220							280	111,5	9,9	162,0	206,1		
00281	45-65	162	12	241	120-245	570	920	218	230	90	344	920	880	32	19 M18	14,5	111,0	6,5	17,0	58,3	239,5	297,8
00283	55-80	173	12	252	120-245	570	995	224	245	95	344	995	950	32	22 M20	15,0	118,8	9,0	21,6	69,2	265,7	334,9
				247	245-265				240							374	115,0	22,1	273,4	342,6		
00284	70-100	182	12	256	120-245	570	1070	233	250	100	344	1070	1025	32	24 M22	16,5	118,6	12,6	27,1	82,9	284,7	367,6
				256	245-275				250							385	120,0	27,9	298,3	381,2		
00286	115-160	212	14	285	170-285	770	1240	262	275	120	400	1240	1190	32	26 M24	18,5	124,0	26,8	64,2	131,5	468,7	600,2
				285	285-330				275							468	125,0	66,5	497,0	628,5		
00287	160-220	229	14	297	170-285	770	1355	274	285	130	400	1355	1295	32	30 M27	21,5	128,0	40,6	86,4	168,1	522,5	690,6
				297	285-360				290							508	131,0	91,2	577,8	745,9		
00288	200-260	280	17	342	170-285	770	1460	319	285	170	400	1460	1395	32	32 M30	23,5	137,0	72,5	125,4	251,2	610,4	861,6
				342	285-360				295							508	141,0	131,0	679,8	931,0		

CENTAX-SEC

SERIES N

ARTICLE CODE: 033N-_____-_____



ONE RING ELEMENT AND MEMBRANE

TECHNICAL DATA			↓ SIZES 35-64					→ SIZES 67-75						
1	2	3	4	5	6	7	8	9	10	11	12	13	14	
Size	Rubber quality	Nominal torque	Maximum torque	Continuous vibratory torque	Permissible power loss	Dynamic torsional stiffness	Relative damping	Speed	Permissible axial displacement	Axial stiffness	Permissible radial displacement	Radial stiffness	Permissible angular displacement	Flange size SAE J620
	[Shore A]	T_{KN} [kNm]	T_{Kmax} [kNm]	T_{KW} [kNm]	P_{KV} [kW]	C_{Tdyn} [kNm/rad]	Ψ	n_{max} [min ⁻¹]	ΔK_a [mm]	C_a [kN/mm]	ΔK_r [mm]	C_{rdyn} [kN/mm]	ΔK_w [°]	[mm]
00035	45	1,10	3,30	0,28	0,20	4,80	1,00	3600	± 5	0,18	3,00	0,36	0,5	11,5 14
	50	1,20	3,60	0,30	0,21	5,80	1,05				3,00	0,42		
	60	1,40	4,20	0,35	0,23	7,30	1,10				2,00	0,50		
00045	45	1,60	4,80	0,40	0,23	7,10	1,00	3600	± 5	0,20	3,00	0,41	0,5	11,5 14
	50	1,80	5,40	0,45	0,24	8,50	1,05				3,00	0,49		
	60	2,20	6,60	0,55	0,26	10,60	1,10				2,00	0,59		
00051	45	2,10	6,30	0,53	0,26	9,70	1,00	3600	± 5	0,30	3,00	0,47	0,5	11,5 290
	50	2,50	7,50	0,63	0,27	11,30	1,05				3,00	0,68		
	60	3,00	9,00	0,75	0,29	14,10	1,10				2,00	0,80		
00052	45	2,25	6,75	0,56	0,27	10,20	1,00	3600	± 5	0,22	3,00	0,37	0,5	14 355
	50	2,80	8,40	0,70	0,28	12,00	1,05				3,00	0,44		
	60	3,00	9,00	0,75	0,29	15,00	1,10				3,00	0,53		
	70	3,50	10,50	0,88	0,30	29,00	1,15				1,80	0,91		
00056	45	2,90	8,70	0,73	0,30	13,00	1,00	3600	± 5	0,28	3,00	0,42	0,5	14 355
	50	3,50	10,50	0,88	0,31	15,40	1,05				3,00	0,49		
	60	4,00	12,00	1,00	0,33	19,30	1,10				3,00	0,59		
00064	50	5,50	16,50	1,38	0,36	21,20	1,05	2900	± 5	0,47	3,00	1,00	0,5	14 355
	60	6,00	18,00	1,50	0,38	26,30	1,10				3,00	1,30		
	70	6,50	19,50	1,63	0,40	56,00	1,15				1,80	2,10		

CENTAX-SEC

SERIES N

ARTICLE CODE: 033N-_____-_____



ONE RING ELEMENT AND MEMBRANE

TECHNICAL DATA			↓ SIZES 67-75					← SIZES 35-64						
1	2	3	4	5	6	7	8	9	10	11	12	13	14	
Size	Rubber quality	Nominal torque	Maximum torque	Continuous vibratory torque	Permissible power loss	Dynamic torsional stiffness	Relative damping	Speed	Permissible axial displacement	Axial stiffness	Permissible radial displacement	Radial stiffness	Permissible angular displacement	Flange size SAE J620
	[Shore A]	T_{KN} [kNm]	T_{Kmax} [kNm]	T_{KW} [kNm]	P_{KV} [kW]	C_{Tdyn} [kNm/rad]	ψ	n_{max} [min ⁻¹]	ΔK_a [mm]	C_a [kN/mm]	ΔK_r [mm]	C_{rdyn} [kN/mm]	ΔK_w [°]	[mm]
00067	50	6,00	18,00	1,50	0,36	25,50	1,05	2900	± 5	0,53	3,00	1,30	0,5	18 460
	60	6,60	19,80	1,65	0,38	31,00	1,10				3,00	1,60		
	70	7,20	21,60	1,80	0,40	65,00	1,15				1,80	2,80		
00066	50	7,50	22,50	1,88	0,46	47,00	1,05	2900	± 5	0,69	4,00	1,20	0,5	18 460
	60	8,25	24,75	2,06	0,48	59,00	1,10				4,00	1,50		
	70	9,00	27,00	2,25	0,50	105,00	1,15				2,40	2,50		
00069*	50	11,00	33,00	2,75	0,54	68,00	1,05	2900	± 5	0,53	4,00	1,40	0,5	18 460
	60	12,00	36,00	3,00	0,57	85,00	1,10				4,00	1,80		
	70	13,00	39,00	3,25	0,60	155,00	1,15				2,40	3,00		
00071	50	11,50	34,50	2,88	0,54	68,00	1,05	2900	± 5	0,84	4,00	1,50	0,5	21 530
	60	12,50	37,50	3,13	0,57	85,00	1,10				4,00	1,80		
	70	13,00	39,00	3,25	0,60	155,00	1,15				2,40	3,00		
00072	50	15,00	45,00	3,75	0,61	94,50	1,05	2750	± 6	1,00	5,00	1,80	0,5	21 530
	60	16,50	49,50	4,13	0,64	118,00	1,10				5,00	2,20		
	70	18,00	54,00	4,50	0,67	212,00	1,15				3,00	3,80		
00075	50	20,00	60,00	5,00	0,68	135,00	1,05	2300	± 6	1,12	5,50	2,10	0,5	24 610
	60	22,00	66,00	5,50	0,71	169,00	1,10				5,50	2,50		
	70	25,00	75,00	6,25	0,75	305,00	1,15				3,30	4,30		

* only for counter clockwise turning engines

CENTAX-SEC

SERIES NL

ARTICLE CODE: 033L-_____-_____



ONE RING ELEMENT AND LINK COUPLING

TECHNICAL DATA			↓ SIZES 52-69					→ SIZES 71-75						
1	2	3	4	5	6	7	8	9	10	11	12	13	14	
Size	Rubber quality	Nominal torque	Maximum torque	Continuous vibratory torque	Permissible power loss	Dynamic torsional stiffness	Relative damping	Speed	Permissible axial displacement	Axial stiffness	Permissible radial displacement	Radial stiffness	Permissible angular displacement	Flange size SAE J620
	[Shore A]	T_{KN} [kNm]	T_{Kmax} [kNm]	T_{KW} [kNm]	P_{KV} [kW]	C_{Tdyn} [kNm/rad]	Ψ	n_{max} [min ⁻¹]	ΔK_a [mm]	C_a [kN/mm]	ΔK_r [mm]	C_{rdyn} [kN/mm]	ΔK_w [°]	[mm]
00052	45	2,25	6,75	0,56	0,27	10,20	1,00	3600	± 10	0,29	3,00	0,37	1,0	14 355
	50	2,80	8,40	0,70	0,28	12,00	1,05				3,00	0,44		
	60	3,00	9,00	0,75	0,29	15,00	1,10				3,00	0,53		
	70	3,50	10,50	0,88	0,30	29,00	1,15				1,80	0,91		
00056	45	2,90	8,70	0,73	0,30	13,00	1,00	3600	± 10	0,29	3,00	0,42	1,0	14 355
	50	3,50	10,50	0,88	0,31	15,40	1,05				3,00	0,49		
	60	4,00	12,00	1,00	0,33	19,30	1,10				3,00	0,59		
	70	4,40	13,20	1,10	0,35	36,50	1,15				1,80	1,03		
00064	50	5,50	16,50	1,38	0,36	21,20	1,05	2900	± 10	0,36	3,00	1,00	1,0	14 355
	60	6,00	18,00	1,50	0,38	26,30	1,10				3,00	1,30		
	70	6,50	19,50	1,63	0,40	56,00	1,15				1,80	2,10		
00067	50	6,00	18,00	1,50	0,36	25,50	1,05	2900	± 10	0,40	3,00	1,30	1,0	18 460
	60	6,60	19,80	1,65	0,38	31,00	1,10				3,00	1,60		
	70	7,20	21,60	1,80	0,40	65,00	1,15				1,80	2,80		
00066	50	7,50	22,50	1,88	0,46	47,00	1,05	2900	± 10	0,43	4,00	1,20	1,0	18 460
	60	8,25	24,75	2,06	0,48	59,00	1,10				4,00	1,50		
	70	9,00	27,00	2,25	0,50	105,00	1,15				2,40	2,50		
00069*	50	11,00	33,00	2,75	0,54	68,00	1,05	2900	± 13	0,52	4,00	1,40	1,0	18 460
	60	12,00	36,00	3,00	0,57	85,00	1,10				4,00	1,80		
	70	13,00	39,00	3,25	0,60	155,00	1,15				2,40	3,00		

* only for counter clockwise turning engines

CENTAX-SEC

SERIES NL

ARTICLE CODE: 033L-_____-_____



ONE RING ELEMENT AND LINK COUPLING

TECHNICAL DATA			↓ SIZES 71-75					← SIZES 52-69						
1	2	3	4	5	6	7	8	9	10	11	12	13	14	
Size	Rubber quality [Shore A]	Nominal torque T_{KN} [kNm]	Maximum torque T_{Kmax} [kNm]	Continuous vibratory torque T_{KW} [kNm]	Permissible power loss P_{KV} [kW]	Dynamic torsional stiffness C_{Tdyn} [kNm/rad]	Relative damping ψ	Speed n_{max} [min ⁻¹]	Permissible axial displacement ΔK_a [mm]	Axial stiffness C_a [kN/mm]	Permissible radial displacement ΔK_r [mm]	Radial stiffness C_{rdyn} [kN/mm]	Permissible angular displacement ΔK_w [°]	Flange size SAE J620 [mm]
00071	50	11,50	34,50	2,88	0,54	68,00	1,05	2900	± 13	0,52	4,00	1,50	1,0	21 530
	60	12,50	37,50	3,13	0,57	85,00	1,10				4,00	1,80		
	70	13,00	39,00	3,25	0,60	155,00	1,15				2,40	3,00		
00072	50	15,00	45,00	3,75	0,61	94,50	1,05	2750	± 13	0,62	5,00	1,80	1,0	21 530
	60	16,50	49,50	4,13	0,64	118,00	1,10				5,00	2,20		
	70	18,00	54,00	4,50	0,67	212,00	1,15				3,00	3,80		
00075	50	20,00	60,00	5,00	0,68	135,00	1,05	2300	± 13	0,75	5,50	2,10	1,0	24 610
	60	22,00	66,00	5,50	0,71	169,00	1,10				5,50	2,50		
	70	25,00	75,00	6,25	0,75	305,00	1,15				3,30	4,30		

CENTAX-SEC

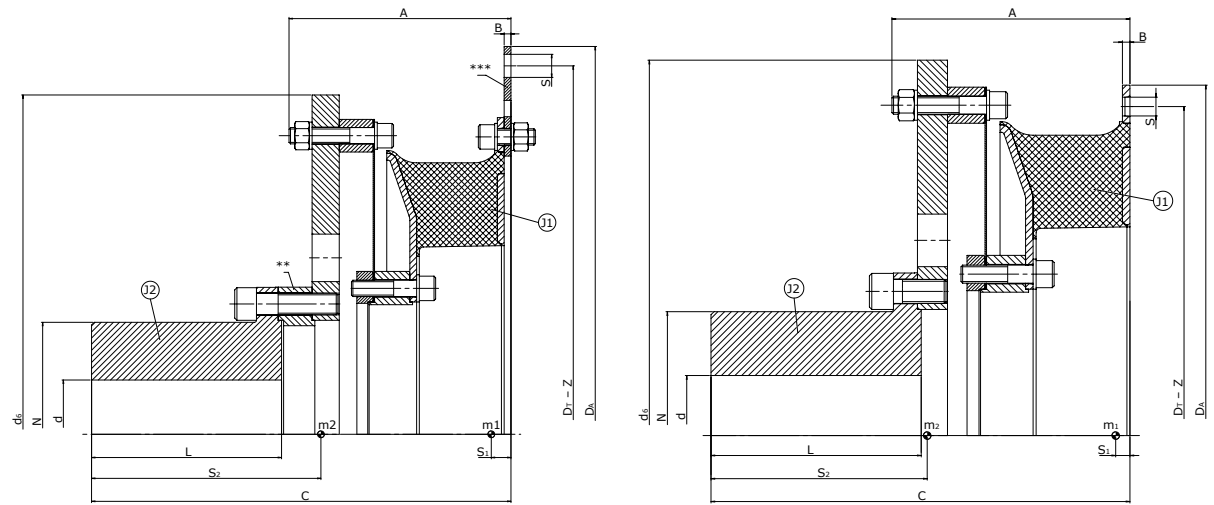
SERIES NFS

ARTICLE CODE: 033N-____-FS00

FLYWHEEL-SHAFT

ONE RING ELEMENT AND MEMBRANE

OUTER HUB



** This spacer for radial exchange only for sizes 35, 45 and 51

*** Adapter for connection to SAE-conform flywheels with sizes 35, 45-SAE 14 and others

DIMENSIONS

↓ SIZES 35-75

Size	T _{KN} [kNm]	dimensions							Flange dimensions					Distance centre of gravity, moments of inertia and masses						
		A	B	C	d _{max}	d ₆	L	N	SAE	D _A [h7]	D _T	Z	S	S ₁	S ₂	J ₁ [kgm ²]	J ₂	m ₁	m ₂	m _{total}
00035	1,1-1,4	124,9	4	230 205	85	380	100	125	11,5 14	352,4 466,7	333,4 438,2	8x45°	11 M10 13 M12	7 5,5	118 93	0,07 0,16	0,36 0,35	3,3 5,7	26,5 28,3	29,8 34,0
00045	1,6-2,2	121,4 125,4	4	231 210	85	400	100	125	11,5 14	352,4 466,7	333,4 438,2	8x45°	11 M10 13 M12	8 6	122 104	0,05 0,17	0,44 0,43	2,4 5,6	29,9 27,4	32,3 33,0
00051	2,1-3,0	125,4 129,4	4	231 210	85	400	100	125	11,5 14	352,4 466,7	333,4 438,2	8x45°	11 M10 13 M12	9 7,5	121,5 103,5	0,07 0,20	0,43 0,42	3,6 6,9	29,3 26,9	32,9 33,8
00052	2,25-3,0	151,0	4	255	115	460	125	160	14	466,7	438,2	16x22,5°	13 M12	7	129,5	0,15	0,98	4,3	45,4	49,7
00056	2,9-4,0	147,0	4	255	115	460	125	160	14	466,7	438,2	16x22,5°	13 M12	8,5	129,5	0,16	0,99	4,6	45,6	50,2
00064	5,5-6,5	158,5	5	279	118	500 550	140	165	14	466,7	438,2	16x22,5°	13 M12	9,5	144,0 144,5	0,23	1,40 1,84	6,7	55,5 62,0	62,2 68,7
00067	6,0-7,2	141,5	5	279	118	550	140	165	18	571,5	542,9	12x30°	17 M16	8	145,0	0,46	1,86	10,4	62,4	72,8
00066	7,5-9,0	149,5 154,5	5	284 289	130	600	155	185	18 21	571,5 673,1	542,9 641,4	12x30°	17 M16	8 7,5	156,0 153,5	0,44 1,06	2,79	8,4 15,5	78,7 81,4	87,1 96,9
00069*	11,0-13,0	156,5	6	297	150	595	160	210	18	571,5	542,9	6x60°	17 M16	10,5	161,0	0,55	3,39	9,2	92,2	101,4
00071	11,5-13,0	157,0	6	297	150	595	160	210	21	673,1	641,4	24x15°	17 M16	8,5	161,0	0,96	3,39	13,6	92,3	105,9
00072	15,0-18,0	169,0	6	326	165	680	180	235	21	673,1	641,4	24x15°	17 M16	11	177,0	1,07	5,75	13,9	124,8	136,7
00075	20,0-25,0	199,5	8	373	170	730	200	235	24	733,4	692,2	24x15°	19 M18	11,5	207,5	2,01	9,28	22,7	167,4	190,1

* only for counter clockwise turning engines

CENTAX-SEC

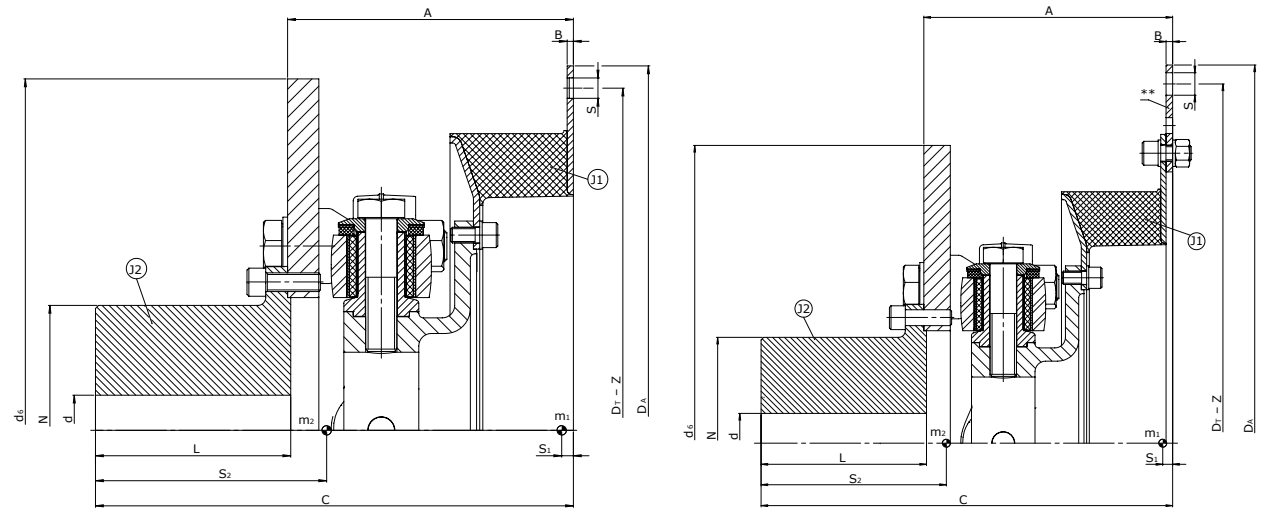
SERIES NLFS

ARTICLE CODE: 033L-____-FS00

FLYWHEEL-SHAFT

ONE RING ELEMENT AND LINK COUPLING

OUTER HUB



** adapter with larger SAE or non standard flanges

DIMENSIONS

↓ SIZES 52-75

Size	T _{KN} [kNm]	dimensions							Flange dimensions					Distance centre of gravity, moments of inertia and masses						
		A	B	C	d _{max}	d ₆	L	N	SAE	D _A [h7]	D _T	Z	S	S ₁	S ₂	J ₁ [kgm ²]	J ₂	m ₁	m ₂	m _{total}
00052	2,25-3,0	182	4	305	115	450	125	160	14	466,7	438,2	16x22,5°	13 M12	7,0	147,0	0,15	1,00	4,3	53,8	58,1
00056	2,9-4,4	183	4	306	115	450	125	160	14	466,7	438,2	16x22,5°	13 M12	8,5	148,0	0,16	1,01	4,6	54,2	58,8
00064	5,5-6,5	189	5	326,5	118	485	140	165	14	466,7	438,2	16x22,5°	13 M12	9,5	162,0	0,23	1,43	6,7	65,6	72,3
00067	6,0-7,2	189,5	5	327	118	535	140	165	18	571,5	542,9	12x30°	17 M16	8,0	161,5	0,46	1,85	10,4	72,5	82,9
00066	7,5-9,0	178	5	330,5	130	590	155	185	18	571,5	542,9	12x30°	17 M16	8,0	172,0	0,44	2,79	8,4	90,0	98,4
00069*	11,0-13,0	188	6	345	150	575	160	210	18	571,5	542,9	6x60°	17 M16	10,5	176,5	0,55	3,35	9,2	100,5	109,7
00071	11,5-13,0	188,5	6	345,5	150	575	160	210	21	673,1	641,4	24x15°	17 M16	8,5	176,5	0,96	3,36	13,6	100,6	114,2
00072	15,0-18,0	235	6	412	165	605	180	235	21	673,1	641,4	24x15°	17 M16	11,0	211,5	1,07	5,52	13,9	148,3	162,2
00075	20,0-25,0	241	8	437	170	685	200	235	24	733,4	692,2	24x15°	19 M18	11,5	234,0	2,01	8,96	22,7	193,0	215,7

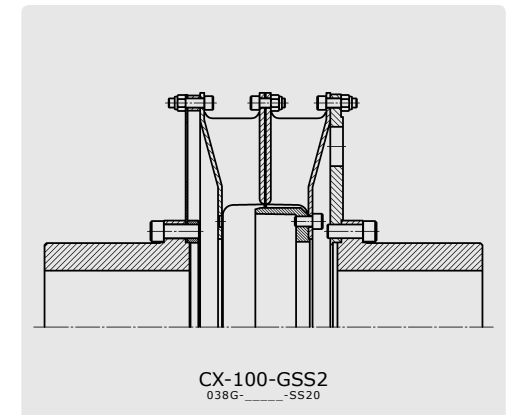
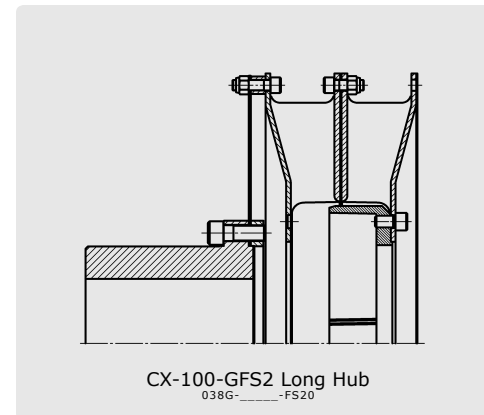
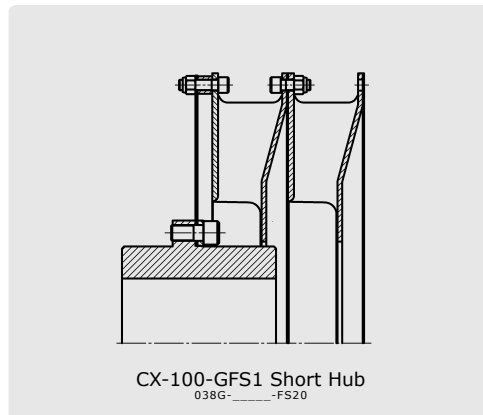
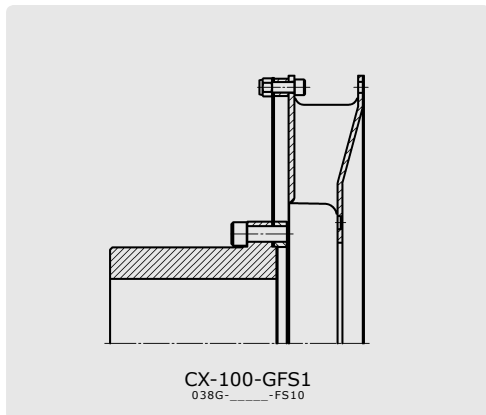
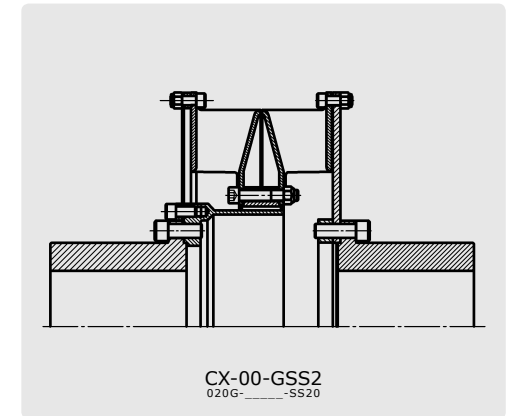
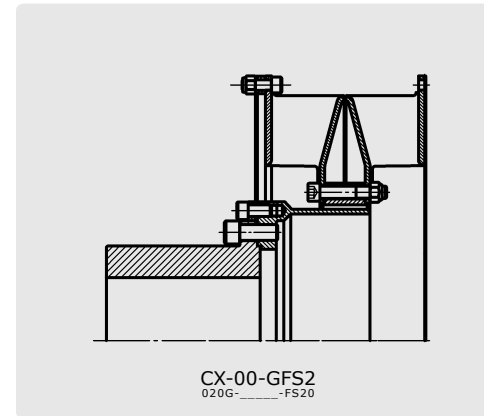
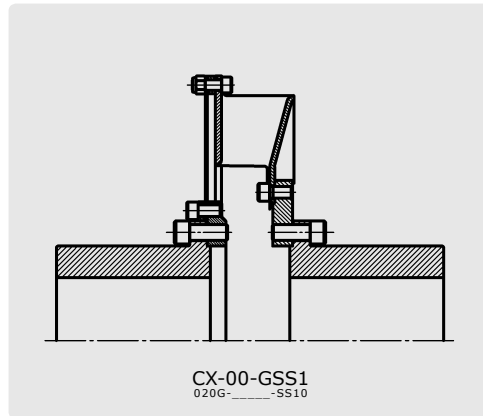
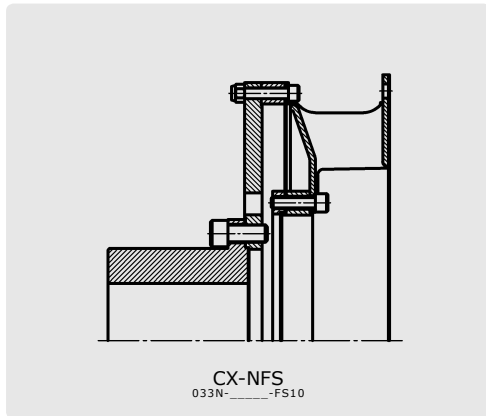
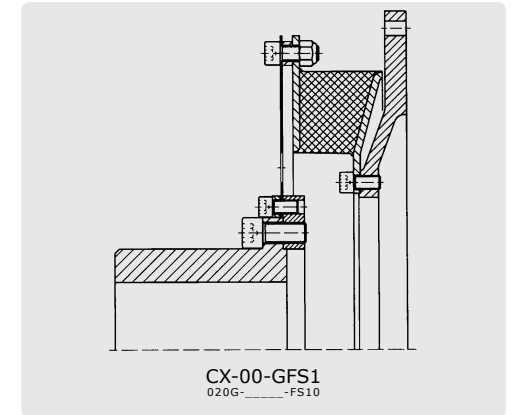
* only for counter clockwise turning engines

CENTAX-SEC

VARIANTS SERIES N AND G

RING ELEMENTS WITH MEMBRANE

SIZES 35-194

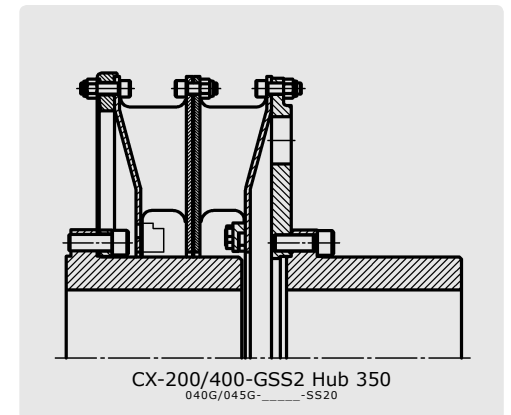
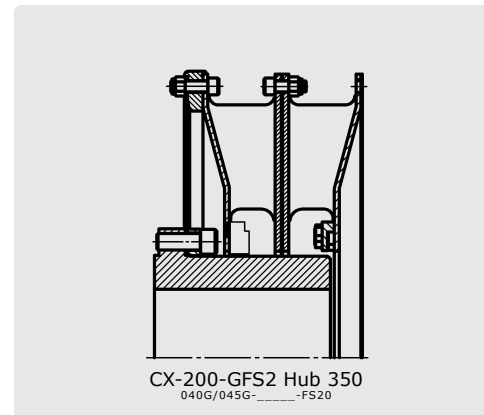
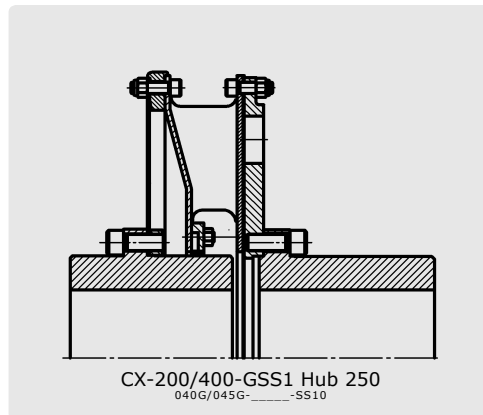
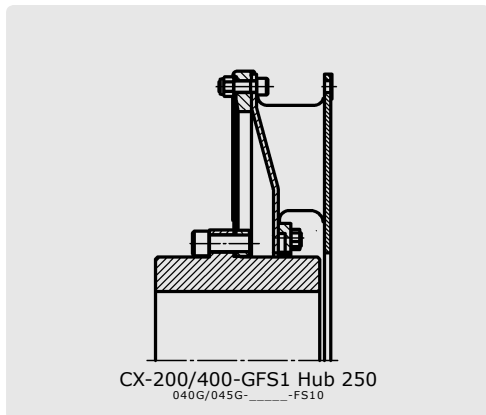
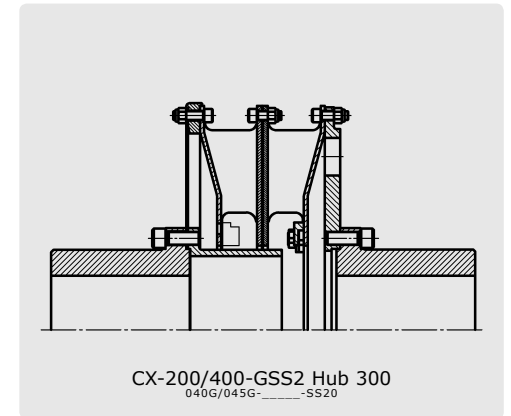
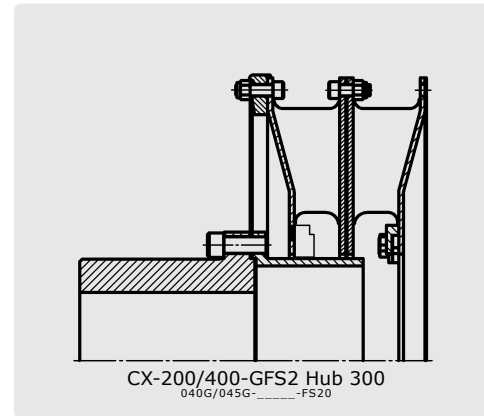
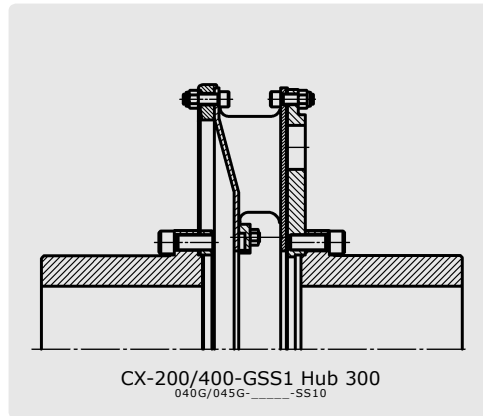
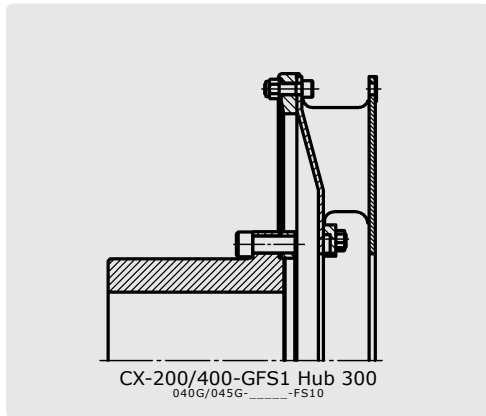


CENTAX-SEC

VARIANTS SERIES G

RING ELEMENTS WITH MEMBRANE

SIZES 276-498

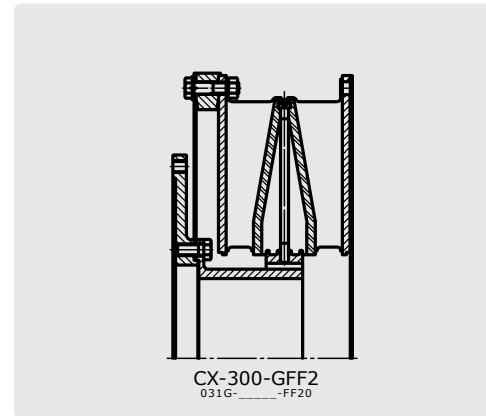
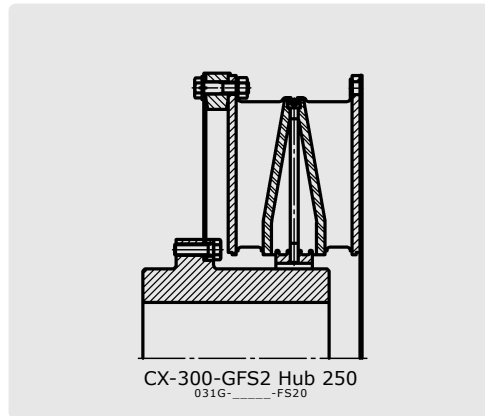
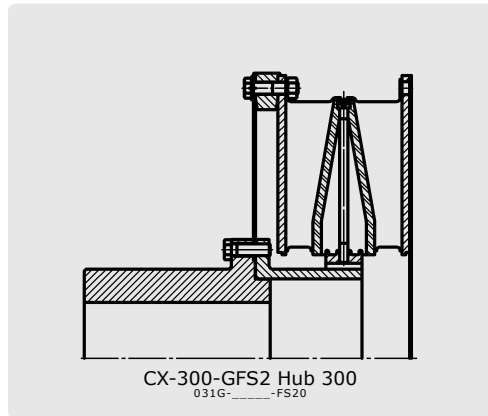


CENTAX-SEC

VARIANTS SERIES G

SEGMENTED ELEMENTS WITH MEMBRANE

SIZES 391-394

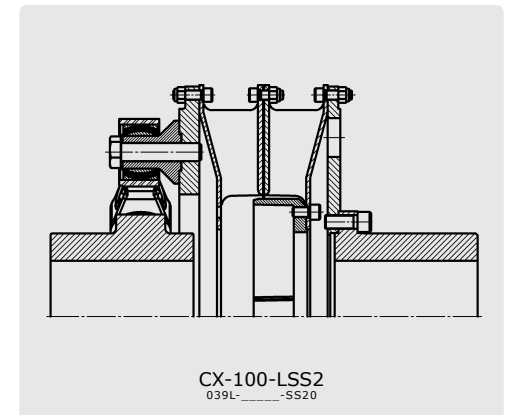
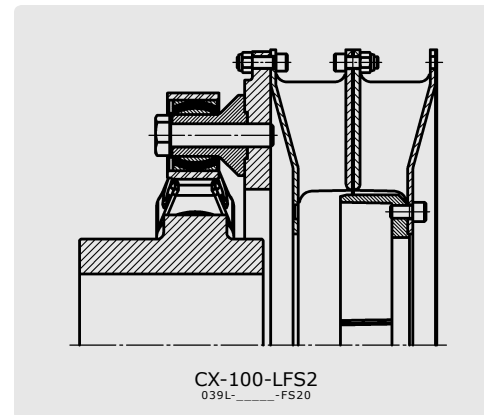
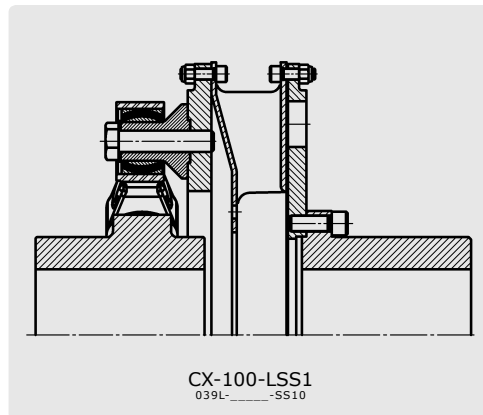
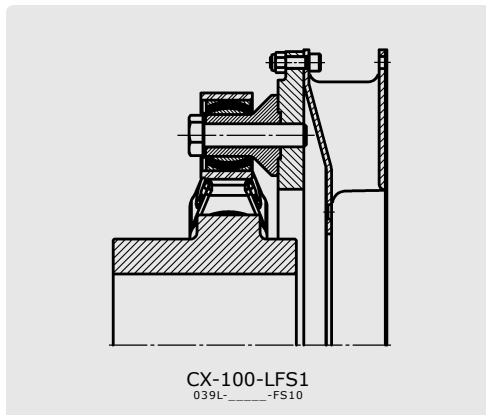
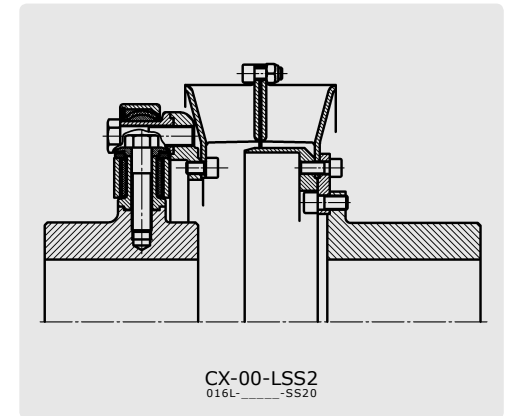
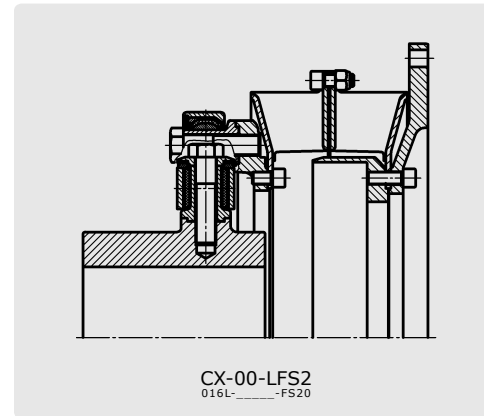
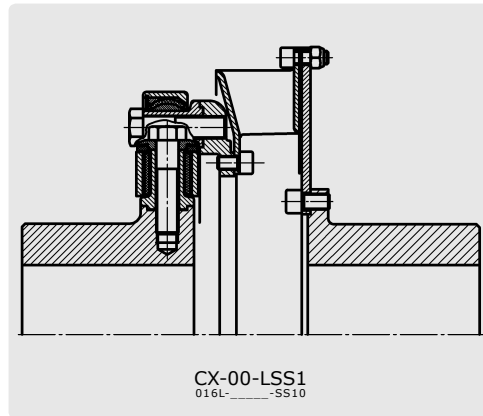
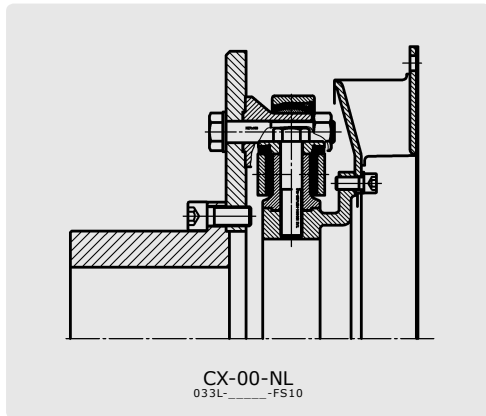


CENTAX-SEC

VARIANTS SERIES NL AND L

RING ELEMENTS WITH LINK COUPLING

SIZES 52-184

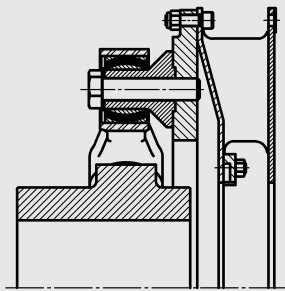


CENTAX-SEC

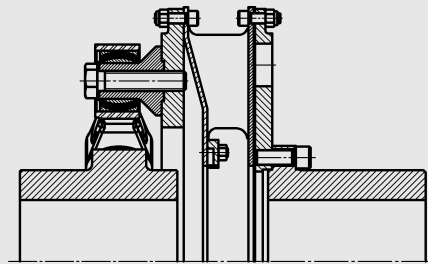
VARIANTS SERIES L

SEGMENTED ELEMENTS WITH LINK COUPLING

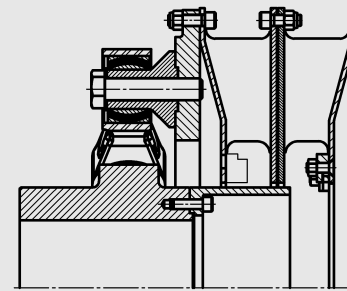
SIZES 276-284



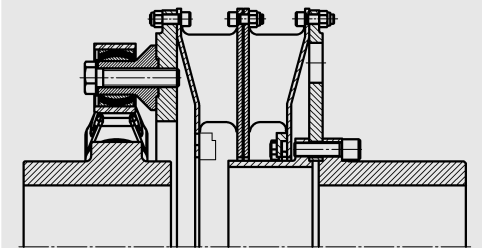
CX-200-LFS1 Hub 200
041L-____-FS10



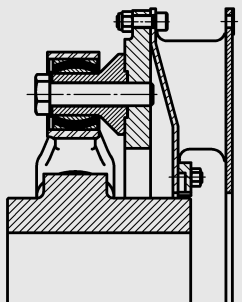
CX-200-LSS1 Hub 200
041L-____-SS10



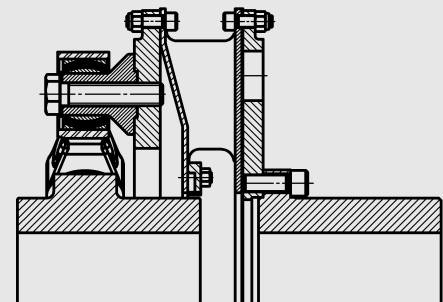
CX-200-LFS2 Hub 200
041L-____-FS20



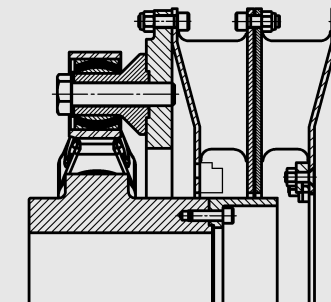
CX-200-LSS2 Hub 200
041L-____-SS20



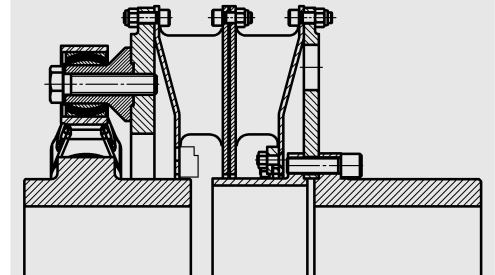
CX-200-LFS1 Hub 250
041L-____-FS10



CX-200-LSS1 Hub 250
041L-____-SS10



CX-200-LFS2 Hub 250
041L-____-FS20

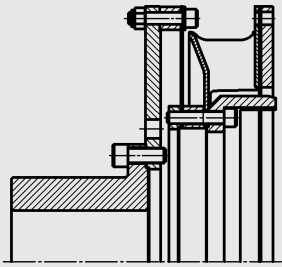


CX-200-LSS2 Hub 250
041L-____-SS20

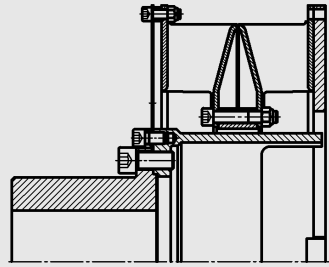
CENTAX-SEC

VARIANTS SERIES N AND G

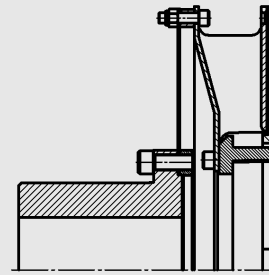
WITH FAILSAFE DEVICE



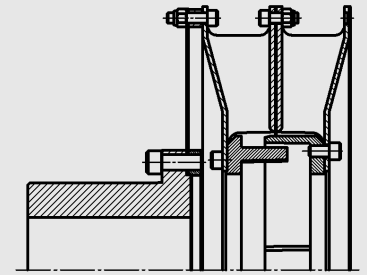
CX-NFS
033N-____-FS11



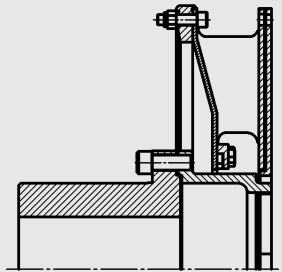
CX-00-GFS2
020G-____-FS21



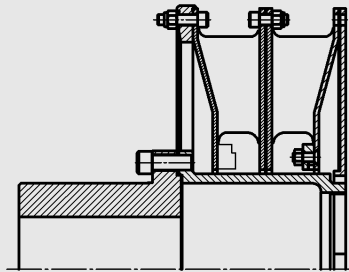
CX-100-GFS1
038G-____-FS11



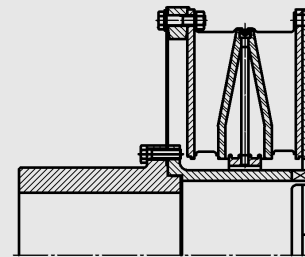
CX-100-GFS2
038G-____-FS21



CX-200/400-GFS1
040G/045G-____-FS11



CX-200/400-GFS2
040G/045G-____-FS11

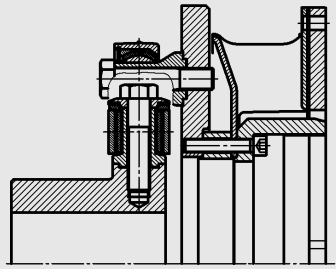


CX-300-GFS2
031G-____-FS21

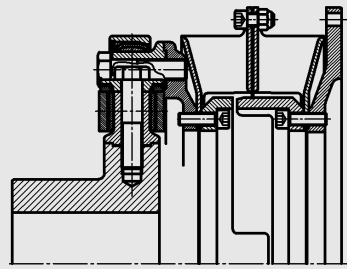
CENTAX-SEC

VARIANTS SERIES NL AND L

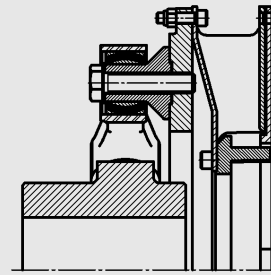
WITH FAILSAFE DEVICE



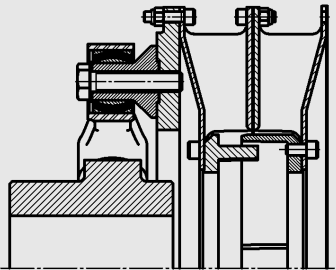
CX-NLFS
033L-____-FS11



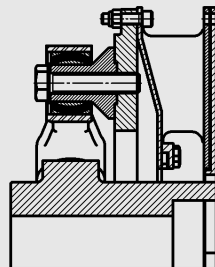
CX-00-LFS2
016L-____-FS21



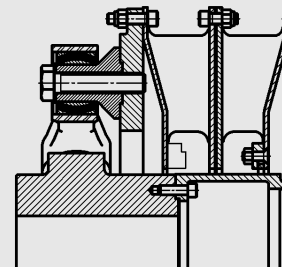
CX-100-LFS1
039L-____-FS11



CX-100-LFS2
039L-____-FS21



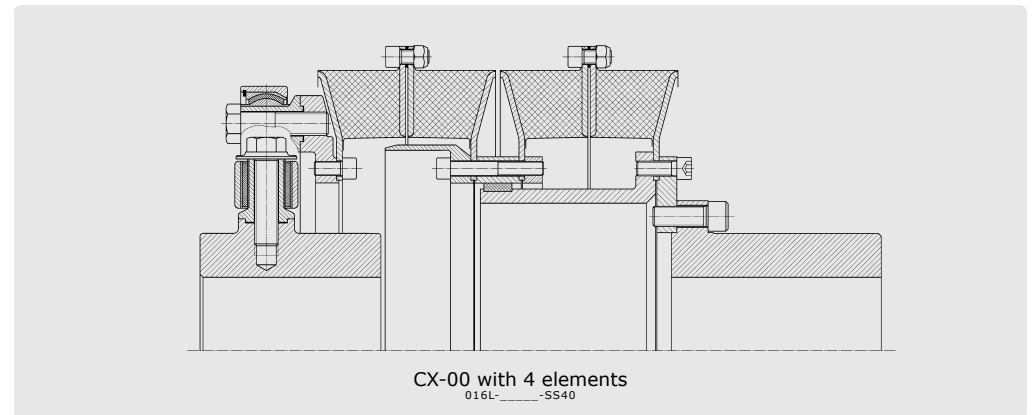
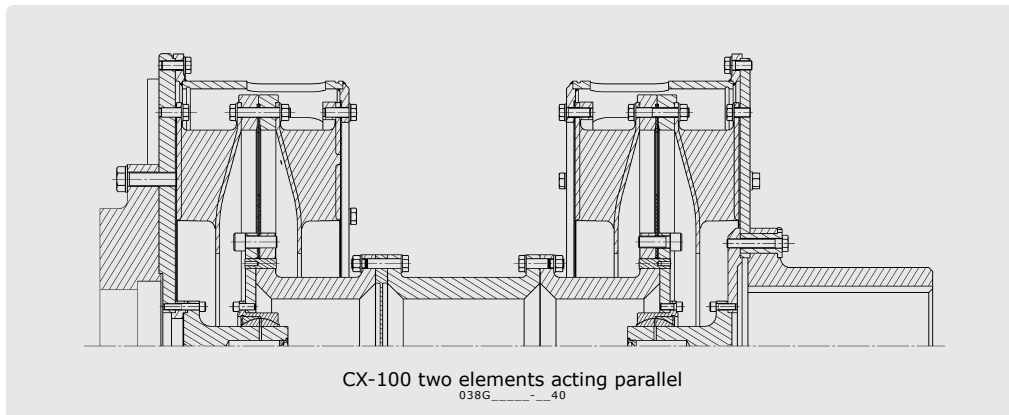
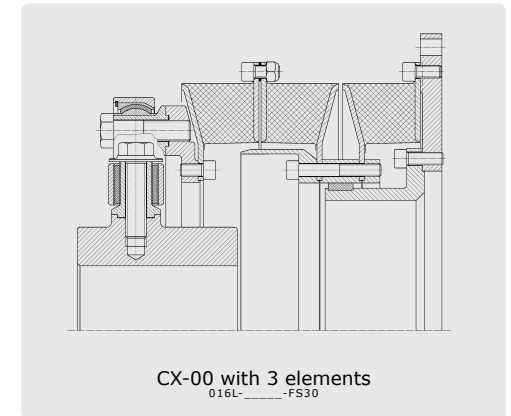
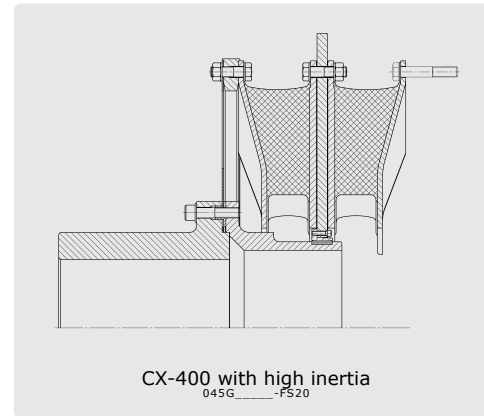
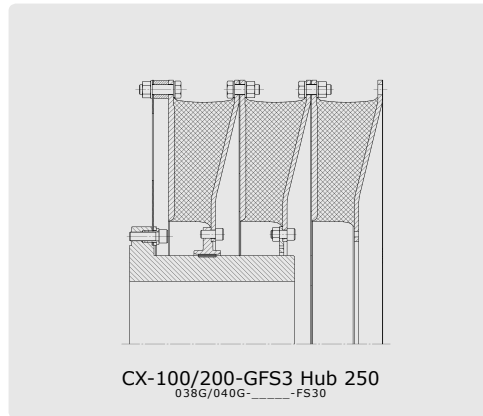
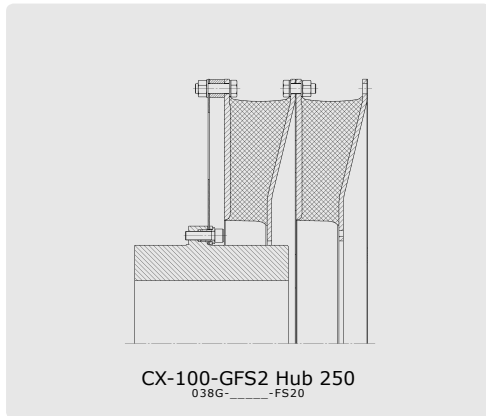
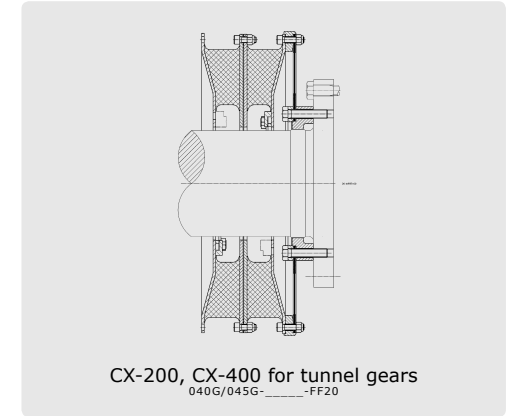
CX-200-LFS1
041L-____-FS11



CX-200-LFS2
041L-____-FS21

CENTAX-SEC VARIANTS

SPECIAL DESIGNS



CENTAX-SEC

EXPLANATION OF THE TECHNICAL DATA

This appendix shows all explanations of the technical data for all CENTA products.

the green marked explanations are relevant for this catalog:

1	Size	Page APP-2
2	Rubber quality	Page APP-2
3	Nominal torque	Page APP-2
4	Maximum torque	Page APP-2
5	Continuous vibratory torque	Page APP-2
6	Permissible power loss	Page APP-2
7	Dynamic torsional stiffness	Page APP-3
8	Relative damping	Page APP-3
9	Speed	Page APP-3
10	Permissible axial displacement	Page APP-3
11	Axial stiffness	Page APP-4
12	Permissible radial displacement	Page APP-4
13	Radial stiffness	Page APP-4
14	Permissible angular displacement	Page APP-4
15	Angular stiffness	Page APP-4

Are these technical explanations up to date?
click here for an update check!

CENTAX-SEC

EXPLANATION OF THE TECHNICAL DATA

1
Size

This spontaneously selected figure designates the size of the coupling.

2
Rubber quality Shore A

This figure indicates the nominal shore hardness of the elastic element. The nominal value and the effective value may deviate within given tolerance ranges.

3
Nominal torque T_{KN} [kNm]

Average torque which can be transmitted continuously over the entire speed range.

4
Maximum torque [kNm]

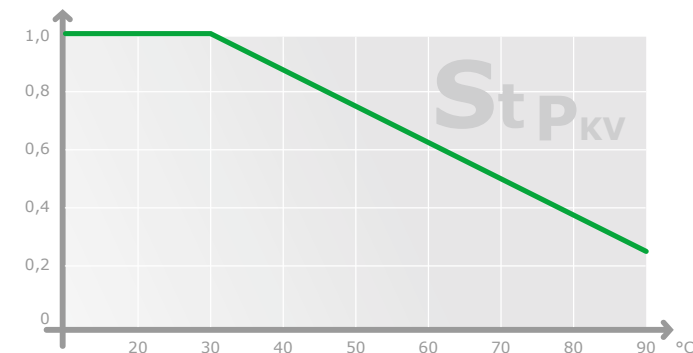
T_{Kmax} This is the torque that may occur occasionally and for a short period up to 1.000 times and may not lead to a substantial temperature rise in the rubber element.

In addition the following maximum torques may occur:

$\Delta T_{Kmax} = 1,8 \times T_{KN}$ Peak torque range (peak to peak) between maximum and minimum torque, e.g. switching operation.

$T_{Kmax1} = 1,5 \times T_{KN}$ Temporary peak torque (e.g. passing through resonances). ΔT_{Kmax} or T_{Kmax1} may occur 50.000 times alternating or 100.000 times swelling.

$T_{Kmax2} = 4,5 \times T_{KN}$ Transient torque rating for very rare, extraordinary conditions (e.g. short circuits).



5
Continuous vibratory torque T_{KW} [kNm]

Amplitude of the continuously permissible periodic torque fluctuation with a basic load up to the value T_{KN} .

The frequency of the amplitude has no influence on the permissible continuous vibratory torque. Its main influence on the coupling temperature is taken into consideration in the calculation of the power loss.

Operating torque T_{Bmax} [kNm]

The maximum operating torque results of T_{KN} and T_{KW} .

6
Permissible Power Loss P_{KV} [kW] or [W]

Damping of vibrations and displacement results in power loss within the rubber element.

The permissible power loss is the maximum heat (converted damping work into heat), which the rubber element can dissipate continuously to the environment (i.e. without time limit) without the maximum permissible temperature being exceeded.

The given permissible power loss refers to an ambient temperature of 30° C.

If the coupling is to be operated at a higher ambient temperature, the temperature factor S_{PKV} has to be taken into consideration in the calculation.

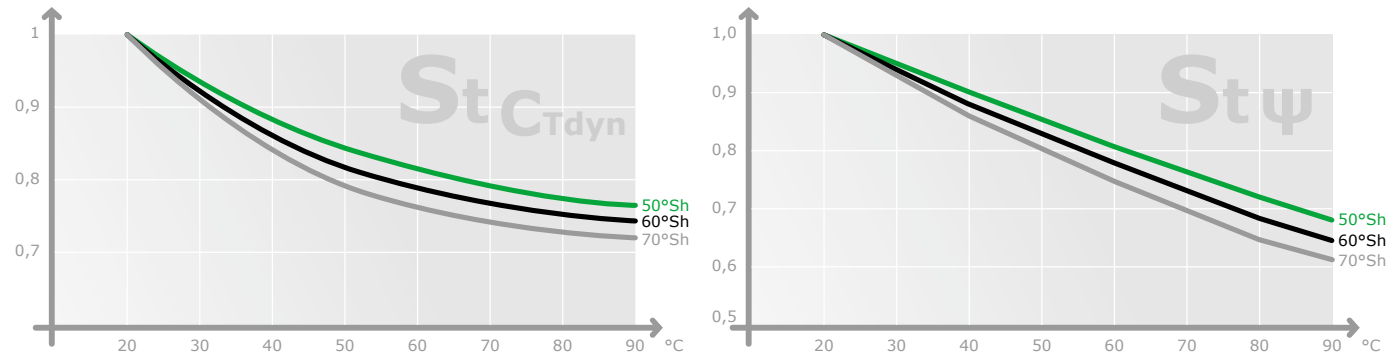
The coupling can momentarily withstand an increase of the permissible power loss for a short period under certain operation modes (e.g. misfiring).

Permissible Power Loss P_{KVZ} [kW]
--

Defines an individual and proven guide for power loss under misfiring. This value acknowledges general information of the engine suppliers, in particular the real appearance of misfiring and implemented control and protection devices. Values on request.

CENTAX-SEC

EXPLANATION OF THE TECHNICAL DATA



7
Dynamic torsional stiffness C_{Tdyn} [kNm/rad]

The dynamic torsional stiffness is the relation of the torque to the torsional angle under dynamic loading.

The torsional stiffness may be linear or progressive depending on the coupling design and material.

The value given for couplings with linear torsional stiffness considers following terms:

- Pre-load: 50% of T_{KN}
- Amplitude of vibratory torque: 25% of T_{KN}
- Ambient temperature: 20°C
- Frequency: 10 Hz

For couplings with progressive torsional stiffness only the pre-load value changes as stated.

The tolerance of the torsional stiffness is $\pm 15\%$ if not stated otherwise.

The following influences need to be considered if the torsional stiffness is required for other operating modes:

- Temperature
Higher temperature reduces the dynamic torsional stiffness.
Temperature factor $S_{T_{C_{Tdyn}}}$ has to be taken into consideration in the calculation.
- Frequency of vibration
Higher frequencies increase the torsional stiffness.
By experience the dynamic torsional stiffness is 30% higher than the static stiffness. CENTA keeps record of exact parameters.
- Amplitude of vibratory torque
Higher amplitudes reduce the torsional stiffness, therefore small amplitudes result in higher dynamic stiffness. CENTA keeps record of exact parameters.

8
Relative damping ψ

The relative damping is the relationship of the damping work to the elastic deformation during a cycle of vibration.

The larger this value [ψ], the lower is the increase of the continuous vibratory torque within or close to resonance.

The tolerance of the relative damping is $\pm 20\%$, if not otherwise stated.

The relative damping is reduced at higher temperatures.

Temperature factor $S_{T_{\psi}}$ has to be taken into consideration in the calculation.

The vibration amplitude and frequency only have marginal effect on the relative damping.

9
Speed [min^{-1}]

The maximum speed of the coupling element, which may occur occasionally and for a short period (e.g. overspeed).

n_{max} The characteristics of mounted parts may require a reduction of the maximum speed (e.g. outer diameter or material of brake discs).

n_d The maximum permissible speed of highly flexible coupling elements is normally 90% thereof.

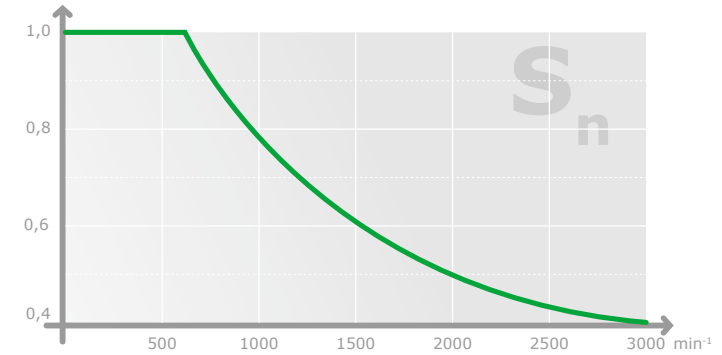
10
Permissible axial displacement [mm]

ΔK_a The continuous permissible axial displacement of the coupling.
This is the sum of displacement by assembly as well as static and dynamic displacements during operation.

$\Delta K_{a_{max}}$ The maximum axial displacement of the coupling, which may occur occasionally for a short period (e.g. extreme load).
The concurrent occurrence of different kinds of displacements is handled in technical documents (displacement diagrams, data sheets, assembly instructions).

CENTAX-SEC

EXPLANATION OF THE TECHNICAL DATA



11	
Axial stiffness [kN/mm]	
C_a	The axial stiffness determines the axial reaction force on the input and output sides upon axial displacement.
$C_{a \text{ dyn}}$	By experience the dynamic stiffness is higher than the static one. The factor depends on the coupling series.

12	
Permissible radial displacement [mm]	
ΔK_r^*	The continuous permissible radial displacement of the coupling. This is the sum of displacement by assembly as well as static and dynamic displacements during operation. The continuous permissible radial displacement depends on the operation speed and may require adjustment (see diagrams S_n of the coupling series).
$\Delta K_{r \text{ max}}$	The maximum radial displacement of the coupling, which may occur occasionally and for a short period without consideration of the operation speed (e.g. extreme overload). The concurrent occurrence of different kinds of displacements is handled in technical documents (displacement diagrams, data sheets, assembly instructions).
* This value may occasionally and briefly rise to double the value of the continuously permissible shaft misalignment, e.g. during starting or shut down of flexibly mounted engines etc. Here the speed factor does not have to be taken into account.	

13	
Radial stiffness [kN/mm]	
C_r	The radial stiffness determines the radial reaction force on the input and output sides upon radial displacement.
$C_{r \text{ dyn}}$	By experience the dynamic stiffness is higher than the static one. The factor depends on the coupling series.

14	
Permissible angular displacement [‰]	
ΔK_w	The continuous permissible angular displacement of the coupling. This is the sum of displacement by assembly as well as static and dynamic displacements during operation. The continuous permissible angular displacement depends on the operation speed and may require adjustment (see diagrams S_n of the coupling series).
$\Delta K_{w \text{ max}}$	The maximum angular displacement of the coupling, which may occur occasionally and for a short period without consideration of the operation speed (e.g. extreme overload). The concurrent occurrence of different kinds of displacements is handled in technical documents (displacement diagrams, data sheets, assembly instructions).

15	
Angular stiffness [kNm/ $^\circ$]	
C_w	The angular stiffness determines the restoring bending moment on the input and output sides upon angular displacement.
$C_{w \text{ dyn}}$	By experience the dynamic stiffness is higher than the static one. The factor depends on the coupling series.

CENTAX SEC

© 2017 by CENTA Antriebe Kirschey GmbH

Rev. CX-SEC-EN-13-17

1. This catalog supersedes previous editions.

This catalog shows the extent of our CENTAX®-SEC coupling range at the time of printing. This program is still being extended with further sizes and series. Any changes due to technological progress are reserved.

We reserve the right to amend any dimensions or detail specified or illustrated in this publication without notice and without incurring any obligation to provide such modification to such couplings previously delivered. Please ask for an application drawing and current data before making a detailed coupling selection.

2. We would like to draw your attention to the need of preventing accidents or injury. No safety guards are included in our supply.

3. TRADEMARKS

CENTA, the CENTA logo, Centacone, CENTADISC, CENTAFIT, Centaflex, CENTALINK, Centalock, Centaloc, Centamax, Centastart, CENTAX and HYFLEX are registered trademarks of CENTA Antriebe Kirschey GmbH in Germany and other countries.

Other product and company names mentioned herein may be trademarks of their respective companies.

4. Torsional responsibility

The responsibility for ensuring the torsional vibration compatibility of the complete drive train, rests with the final assembler. As a component supplier CENTA is not responsible for such calculations, and cannot accept any liability for gear noise/ -damage or coupling damage caused by torsional vibrations.

CENTA recommends that a torsional vibration analysis (TVA) is carried out on the complete drive train prior to start up of the machinery. In general torsional vibration analysis can be undertaken by engine manufacturers, consultants or classification societies. CENTA can assist with such calculations using broad experience in coupling applications and torsional vibration analysis.

5. Copyright to this technical dokument is held by CENTA Antriebe Kirschey GmbH.

6. The dimensions on the flywheel side of the couplings are based on the specifications given by the purchaser. The responsibility for ensuring dimensional compatibility rests with the assembler of the drive train. CENTA cannot accept liability for interference between the coupling and the flywheel or gearbox or for damage caused by such interference.

7. All technical data in this catalog are according to the metric SI system. All dimensions are in mm. All hub dimensions (N , N_1 and N_2) may vary, depending on the required finished bore. All dimensions for masses (m), inertias (J) and centres of gravity (S) refer to the maximum bore diameter.



CENTA is the leading producer of flexible couplings for rail, industrial, marine and power generating applications. Worldwide.

HEAD OFFICE

CENTA Antriebe
Kirschey GmbH

Bergische Strasse 7
42781 Haan/Germany

+49-2129-912-0 Phone

+49-2129-2790 Fax

info@centa.de

www.centa.info

WWW.CENTA.INFO/CONTACT

CONTENT

SERIES 00 G/L					
SERIES 00-G Technical Data sizes 52-75	00-2				
SERIES 00-G Technical Data sizes 78-90	00-3				
SERIES 00-G Technical Data sizes 52-75	00-4				
SERIES 00-G Technical Data sizes 78-90	00-5				
SERIES 00-L Technical Data sizes 52-75	00-6				
SERIES 00-L Technical Data sizes 78-90	00-7				
SERIES 00-L Technical Data sizes 52-75	00-8				
SERIES 00-L Technical Data sizes 78-90	00-9				
SERIES 00-GFS2 Dimensions sizes 52-85	00-10				
SERIES 00-GSS1 Dimensions sizes 52-85	00-11				
SERIES 00-GSS2 Dimensions sizes 52-85	00-12				
SERIES 00-LFS1 Dimensions sizes 52-85	00-13				
SERIES 00-LFS2 Dimensions sizes 52-88	00-14				
SERIES 00-LFS2 Dimensions sizes 52-88	00-15				
SERIES 00-LSS1 Dimensions sizes 52-85	00-16				
SERIES 00-LSS2 Dimensions sizes 52-85	00-17				
SERIES 100 G/L					
SERIES 100-G Technical Data sizes 176-186	100-2				
SERIES 100-G Technical Data sizes 187-194	100-3				
SERIES 100-L Technical Data sizes 176-184	100-4				
SERIES 100-L Technical Data sizes 176-184	100-5				
SERIES 100-L Technical Data sizes 176-184	100-6				
SERIES 100-L Technical Data sizes 176-184	100-7				
SERIES 100-GFS1 Dimensions sizes 176-194	100-8				
SERIES 100-GFS2 Dimensions sizes 176-194	100-9				
SERIES 100-GFS2 Dimensions sizes 176-194	100-10				
SERIES 100-GFS2 Dimensions sizes 176-194	100-11				
SERIES 100-GSS1 Dimensions sizes 176-188	100-12				
SERIES 100-GSS2 Dimensions sizes 176-188	100-13				
SERIES 100-LFS1 Dimensions sizes 176-184	100-14				
SERIES 100-LFS2 Dimensions sizes 176-184	100-15				
SERIES 100-LFS2 Dimensions sizes 176-184	100-16				
SERIES 100-LSS1 Dimensions Sizes 176-184	100-17				
SERIES 100-LSS2 Dimensions sizes 176-184	100-18				
SERIES 200-G Technical Data sizes 276-284	200-2				
SERIES 200-G Technical Data sizes 287-294	200-3				
SERIES 200-G Technical Data sizes 287-294	200-4				
SERIES 200-G Technical Data sizes 287-294	200-5				
SERIES 200-L Technical Data sizes 276-284	200-6				
SERIES 200-L Technical Data sizes 276-284	200-7				
SERIES 200-GFS1 Dimensions sizes 276-294	200-8				
SERIES 200-GFS1 Dimensions sizes 276-294	200-9				
SERIES 200-GFS2 Dimensions sizes 276-294	200-10				
SERIES 200-GFS2 Dimensions sizes 276-294	200-11				
SERIES 200-GFS2 Dimensions sizes 276-294	200-12				
SERIES 200-LFS1 Dimensions sizes 276-284	200-13				
SERIES 200-LFS1 Dimensions sizes 276-284	200-14				
SERIES 200-LFS2 Dimensions sizes 276-284	200-15				
SERIES 200-LFS2 Dimensions sizes 276-284	200-16				
SERIES 200-LFS2 Dimensions sizes 276-284	200-17				
SERIES 400 G Technical Data sizes 496-498	400-2				
SERIES 400-G Technical Data sizes 496-498	400-3				
SERIES 400-GFS1 Dimensions sizes 496-498	400-4				
SERIES 400-GFS1 Dimensions sizes 496-498	400-5				
SERIES 400-GFS2 Dimensions sizes 496-498	400-6				
SERIES 400-GFS2 Dimensions sizes 496-498	400-7				
SERIES 400-GFS2 Dimensions sizes 496-498	400-8				
SERIES B SERIES B Technical Data sizes 64-78	B-2				
SERIES B Technical Data sizes 80-188	B-3				
SERIES B Technical Data sizes 276-283	B-4				
SERIES B Technical Data sizes 284-288	B-5				
SERIES BFS1 Dimensions sizes 64-90	B-6				
SERIES BFS1 Dimensions sizes 186-188	B-7				
SERIES BFS1 Dimensions sizes 276-288	B-8				
SERIES N/NL SERIES N Technical Data sizes 35-64	N/NL-2				
SERIES N Technical Data sizes 67-75	N/NL-3				
SERIES NL Technical Data sizes 52-69	N/NL-4				
SERIES NL Technical Data sizes 71-75	N/NL-5				
SERIES NFS Dimensions sizes 35-75	N/NL-6				
SERIES NLFS Dimensions sizes 52-75	N/NL-7				
APPENDIX VARIANTS SERIES N AND G Technical Data sizes 80-188	VAR-4				