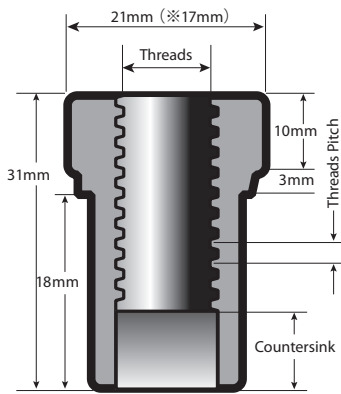


Pillow Ball Nut for CUSCO Pillow Upper Mount

MSRP US\$23.00 EA.



Part Number	Description	Countersink (mm)
00B 450 A	M14 x 1.5	5
00B 450 AHA	※ For TOYOTA AE86 HA	5
00B 450 B	M14 x 1.5	—
00B 450 BG5	M14 x 1.5 SUBARU LEGACY BG5	10
00B 450 BHA	※ For MAZDA RX-7 FC3S HA	—
00B 450 C	M12 x 1.5	5
00B 450 D	M12 x 1.5	—
00B 450 E	M14 x 1.25	5
00B 450 F	M14 x 1.25	—
00B 450 FD1	※ M10 x 1.0 MAZDA RX-7 FD3S	12
00B 450 FD2	※ M10 x 1.25 MAZDA RX-7 FD3S	12
00B 450 FD3	※ M10 x 1.5 MAZDA RX-7 FD3S	12
00B 450 G	M14 x 1.0	—
00B 450 H	M12 x 1.25	5
00B 450 HS	M12 x 1.25	12
00B 450 H1	For HONDA CITY GA2 FA/J	30

Part Number	Description	Countersink (mm)
00B 450 H2	For HONDA CITY GA2FR/G	23
00B 450 H3	For SUZUKI CAPPUCCINO REAR	14
00B 450 H4	M12 x 1.25 SUBARU BG5	10
00B 450 H6	For LEXUS GS300/400	18
00B 450 I	M12 x 1.25	—
00B 450 IHA	※ For NISSAN 240SX S13 HA	—
00B 450 J	M10 x 1.25	—
00B 450 K	M10 x 1.5	—
00B 450 L	M10 x 1.0	10
00B 450 M	M10 x 1.25	10
00B 450 M1	TOYOTA STARLET EP82 REAR	17
00B 450 M2	For HONDA CITY GA2 REAR	30
00B 450 N	M10 x 1.5	10
00B 450 O	M10 x 1.0	—
00B 450 Q	M12 x 1.25 EVO 7/8/9 CT9A	7