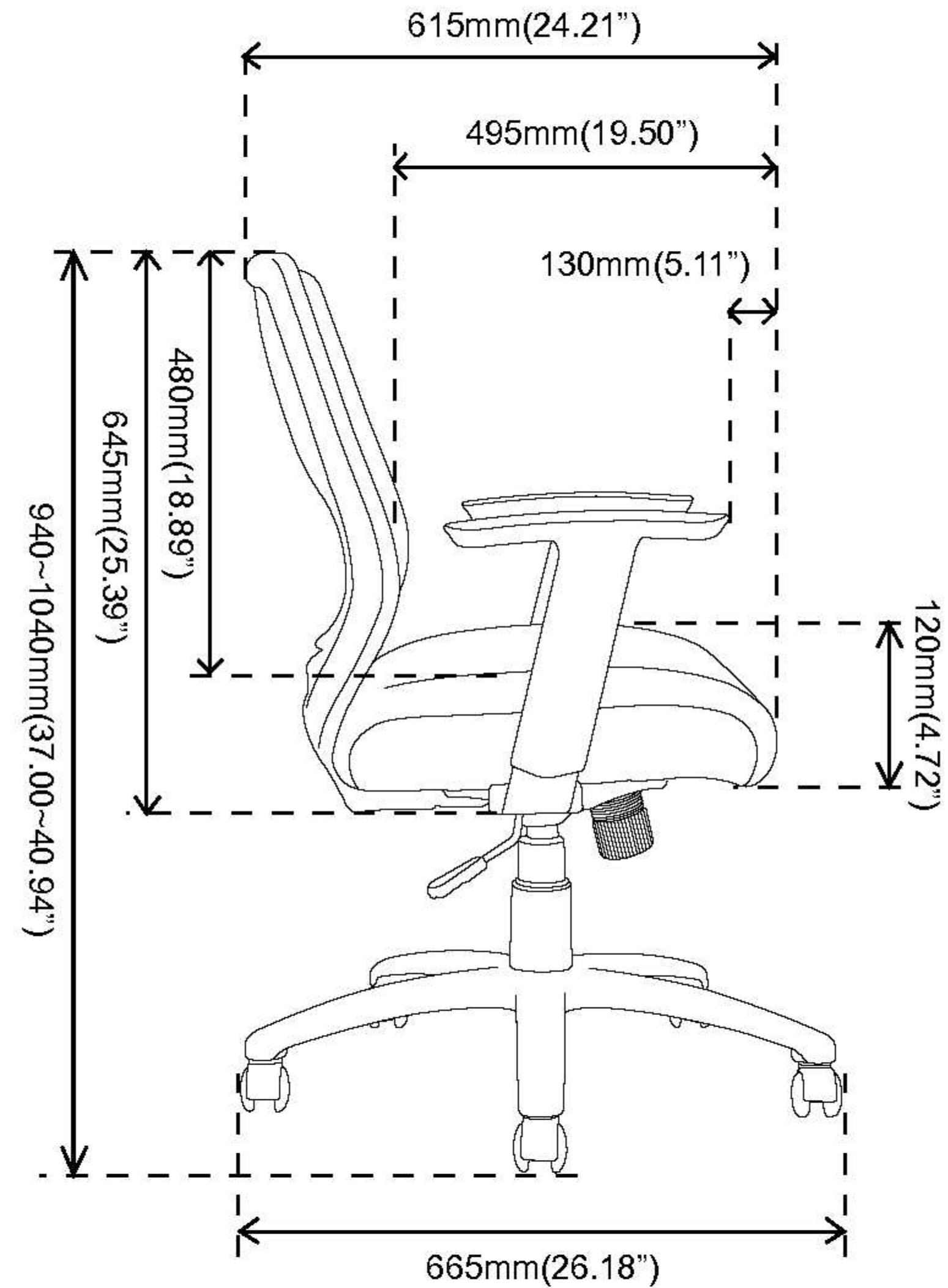
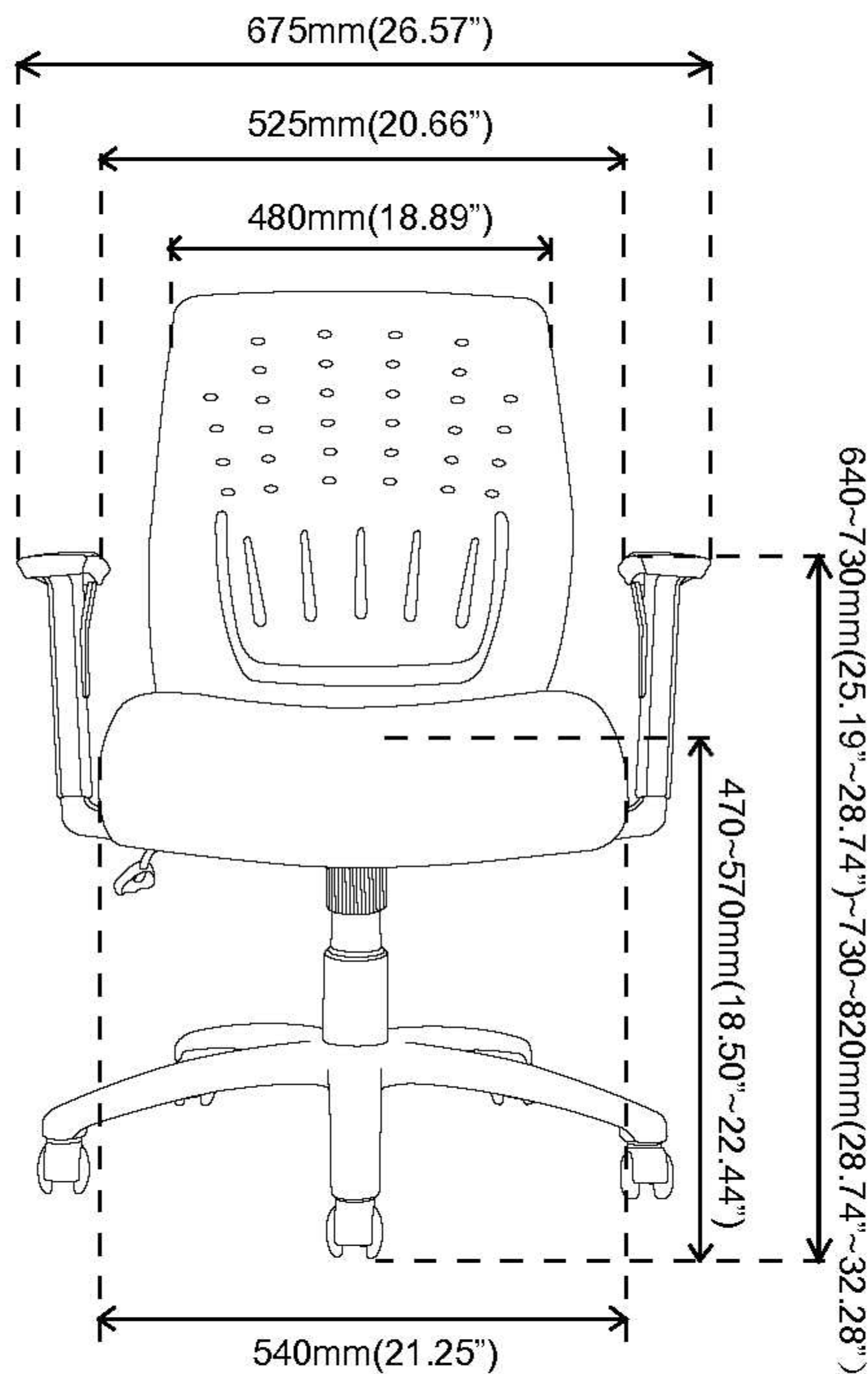


MT8500-STINGRAY

Dec 29th, 2012



Chair N.W.:14.65Kgs/32.23lbs
Cylinder: 100mm Stroke
15mm Taper
From floor to the bottom of cylinder:7cm