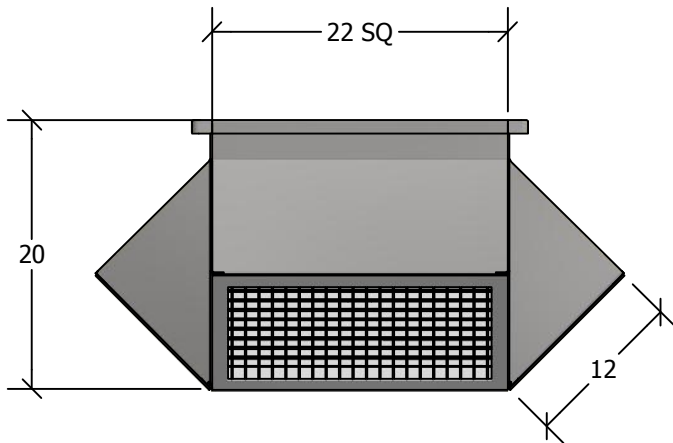


## SLANT FACE PLENUM DIFFUSER



### STANDARD FEATURES

1. G-90 Galvanized Steel Construction.
2. Turning Vanes in Each Quadrant.
3. 1" 1-1/2 lb. Duct Liner.
4. Vertical and Horizontal Adjustable Deflection Grilles.
5. Fully Assembled
6. TDC Duct Connections Provided.
7. Engineered Curb and Duct Packages Available.

NOM CFM	MODEL NO	WEIGHT
3,400	SFPD 2010-8.5	49 LBS
0° DEFLECTION		
THROW 55'	P.D. .06	NC 26
22 1/2° DEFLECTION		
THROW 45'	P.D. .07	NC 29
45° DEFLECTION		
THROW 28'	P.D. .09	NC 32

QTY TAG

JOB NAME

  
**CURBS PLUS, INC.**  
[www.curbs-plus.com](http://www.curbs-plus.com)