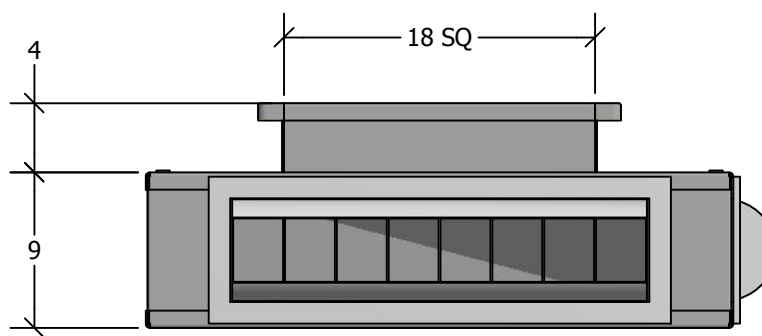


## DRUM LOUVER PLENUM-DIFFUSER



### STANDARD FEATURES

1. G-90 Galvanized Steel Construction.
2. Turning Vanes in Each Quadrant.
3. 1" 1-1/2 lb. Duct Liner.
4. Vertical and Horizontal Adjustable Drum Louver.
5. Fully Assembled
6. TDC Duct Connections Provided.
7. 3/8" Threaded Inserts for Mounting.
8. Engineered Curb and Duct Packages Available.

NOM CFM 1,200/1,600	MODEL NO DLPD2C 2406-3/4	WEIGHT 58 LBS
0° DEFLECTION		
THROW 32'-56'	P.D. .12"/.213"	NC 20/30
30° DEFLECTION		
THROW 22'-44'	P.D. .216"/.38"	NC 28/38

QTY TAG

JOB NAME

  
**CURBS PLUS, INC.**  
[www.curbs-plus.com](http://www.curbs-plus.com)