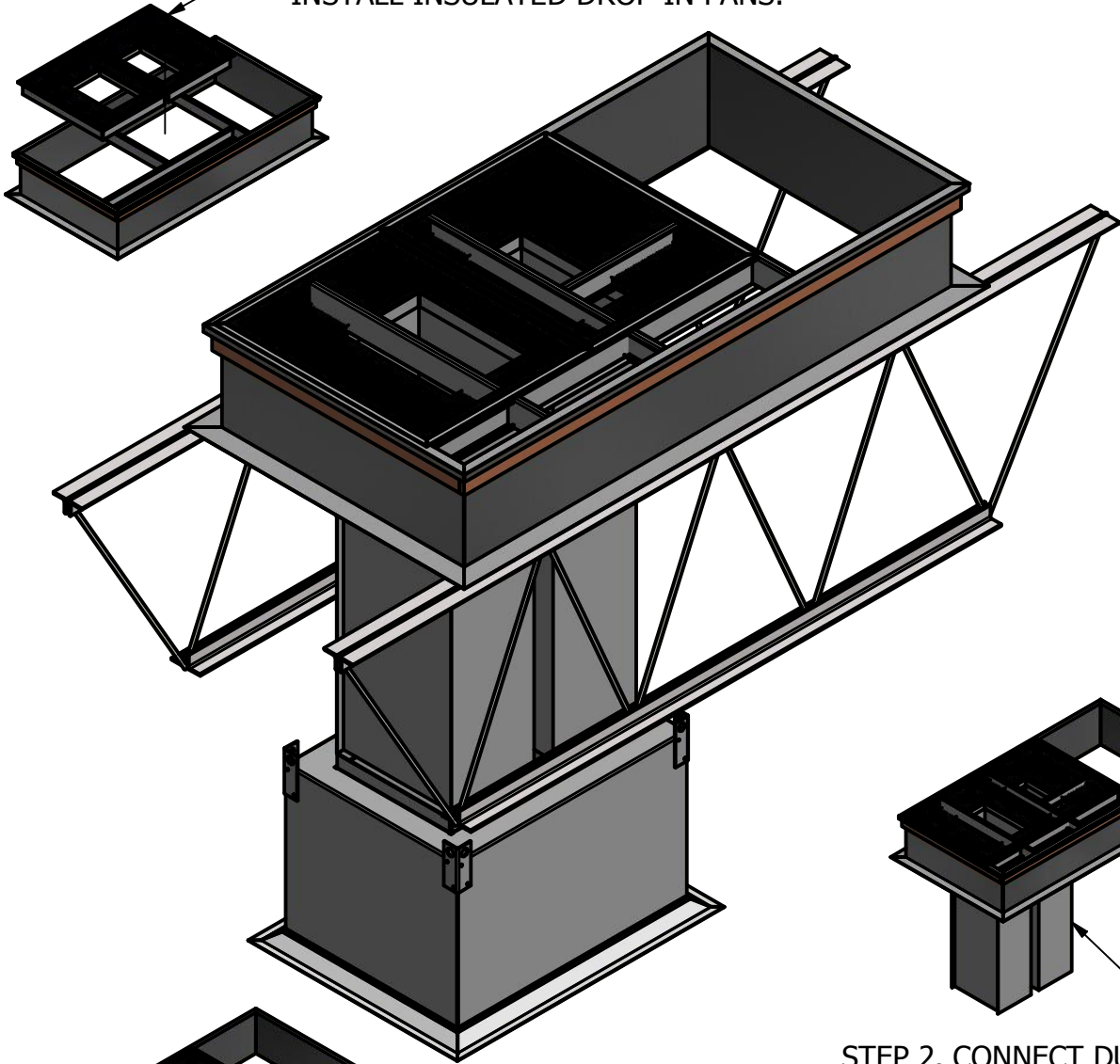


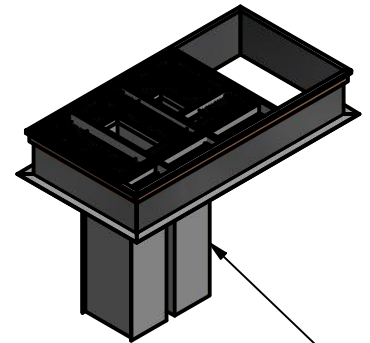
# Flush Mount Concentric Diffuser

with Drop-in Pans and Hard Duct

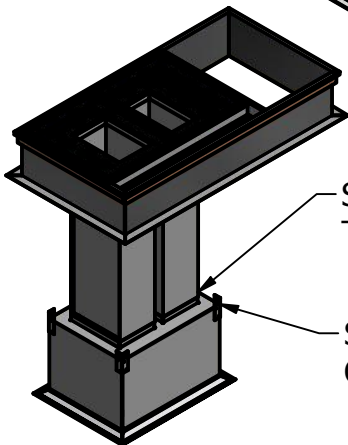
STEP 1. BEFORE HVAC UNIT IS PLACED ON CURB  
INSTALL INSULATED DROP-IN PANS.



STEP 2. CONNECT DUCT  
TO THE DROP-IN PANS.



STEP 3. CONNECT DUCT TO  
THE CONCENTRIC DIFFUSER.



STEP 4. FIELD SUPPORT WITH  
CHAIN AND TURNBUCKLES (BY OTHERS).

