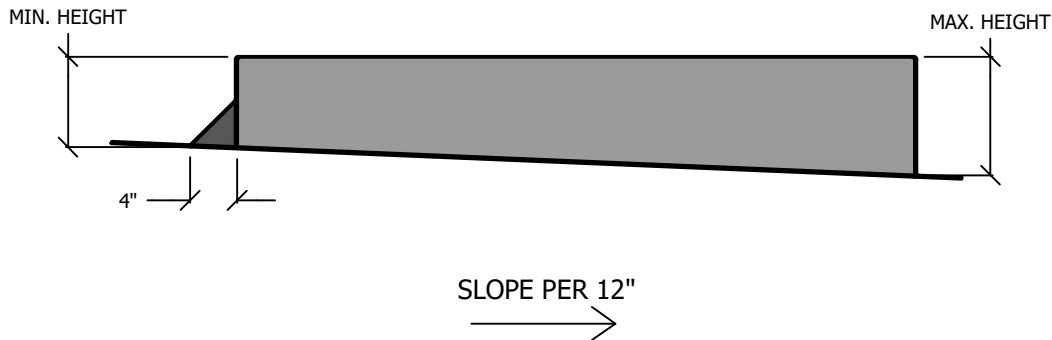
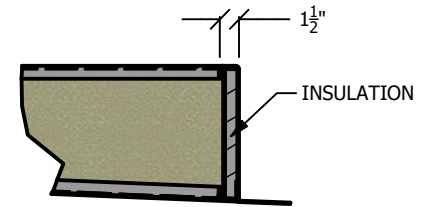
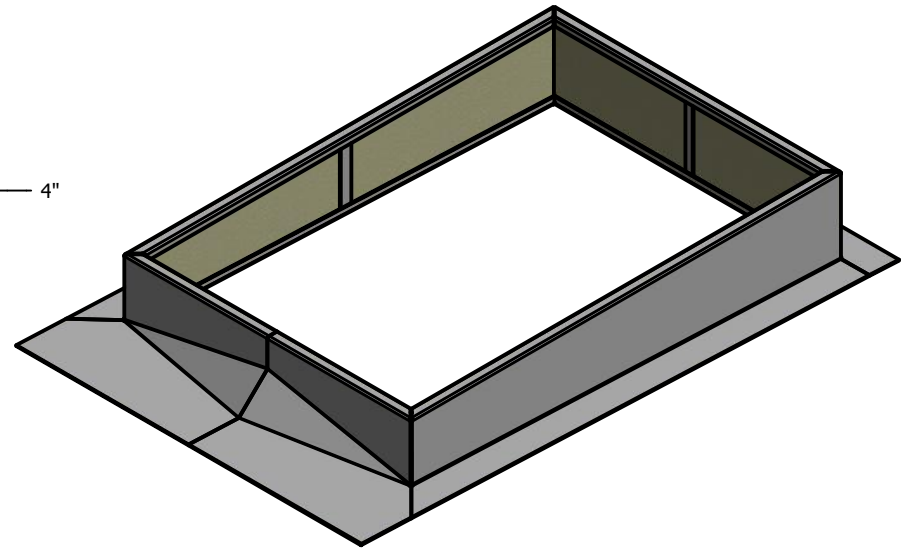
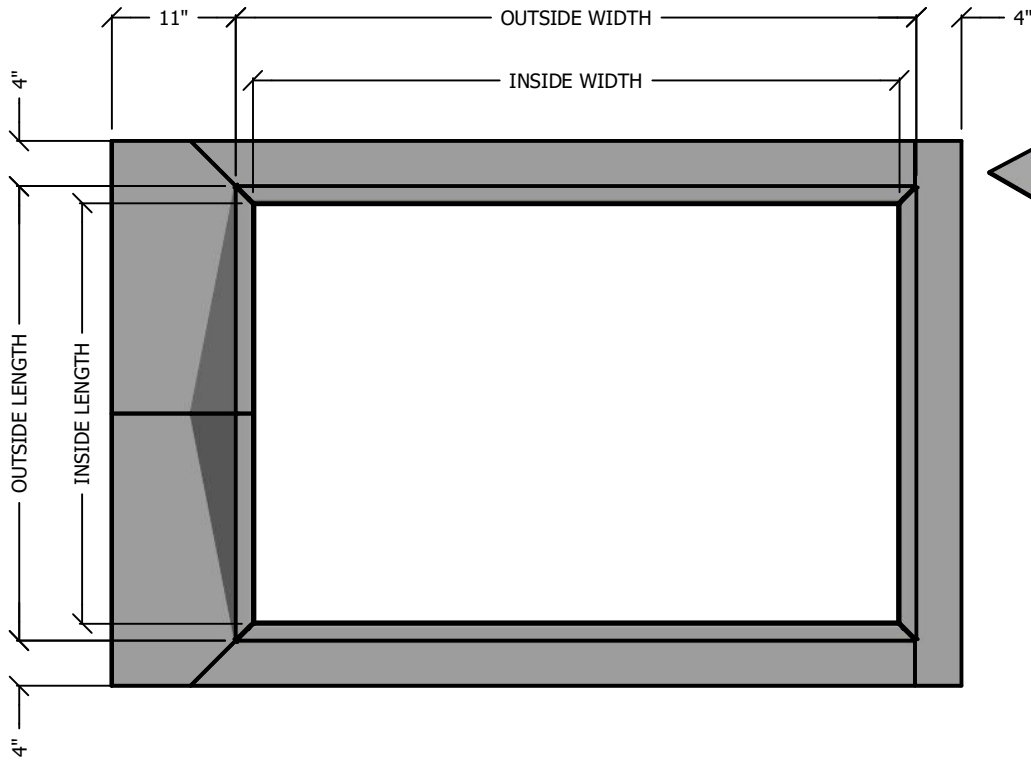


CPM-7 (INSULATED) METAL BLDG. ROOF CURB

STANDARD FEATURES

1. Fully Welded Watertight One-piece Construction.
2. Prime Painted after Fabrication.



| NEEDED DIMENSIONS | |
|-------------------|--|
| OUTSIDE WIDTH | |
| INSIDE WIDTH | |
| OUTSIDE LENGTH | |
| INSIDE LENGTH | |
| MIN. HEIGHT | |
| MAX. HEIGHT | |
| SLOPE PER 12" | |

| | | | |
|-------------------------------|------|---|----------------|
| | | Phone: 888-639-2872 Website: curbsplus.com | |
| | | DRAWING DATE: | REVISION DATE: |
| MATERIAL: | | SALE CONTACT NAME: | |
| INSULATION: 1 1/2" 3# DENSITY | | APPOX. WEIGHT | |
| MODEL #: CPM 7 | | | |
| QTY: | TAG. | | |