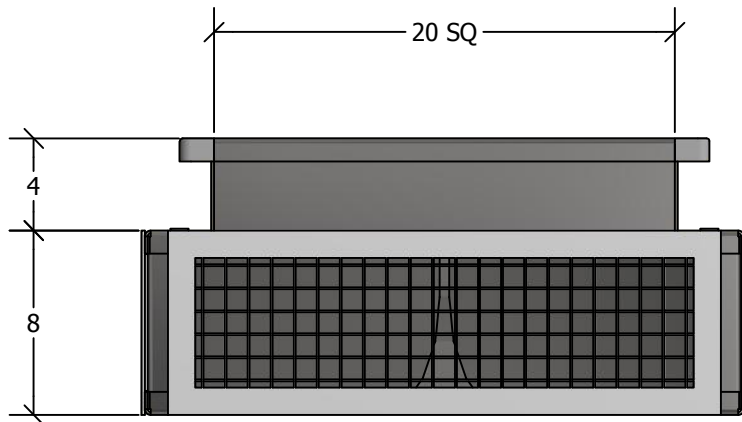


## LOW PROFILE PLENUM DIFFUSER



### STANDARD FEATURES

1. G-90 Galvanized Steel Construction.
2. Turning Vanes in Each Quadrant.
3. 1" 1-1/2 lb. Duct Liner.
4. Vertical and Horizontal Adjustable Deflection Grilles.
5. Fully Assembled
6. TDC Duct Connections Provided.
7. 3/8" Threaded Inserts for Mounting.
8. Engineered Curb and Duct Packages Available.

NOM CFM 2,400	MODEL NO LPPD 2206-6	WEIGHT 45 LBS
0° DEFLECTION		
THROW 44'	P.D. .11	NC 24
22 1/2° DEFLECTION		
THROW 34'	P.D. .13	NC 24
45° DEFLECTION		
THROW 24'	P.D. .19	NC 30

  
**CURBS PLUS, INC.**  
[www.curbs-plus.com](http://www.curbs-plus.com)

QTY TAG

JOB NAME