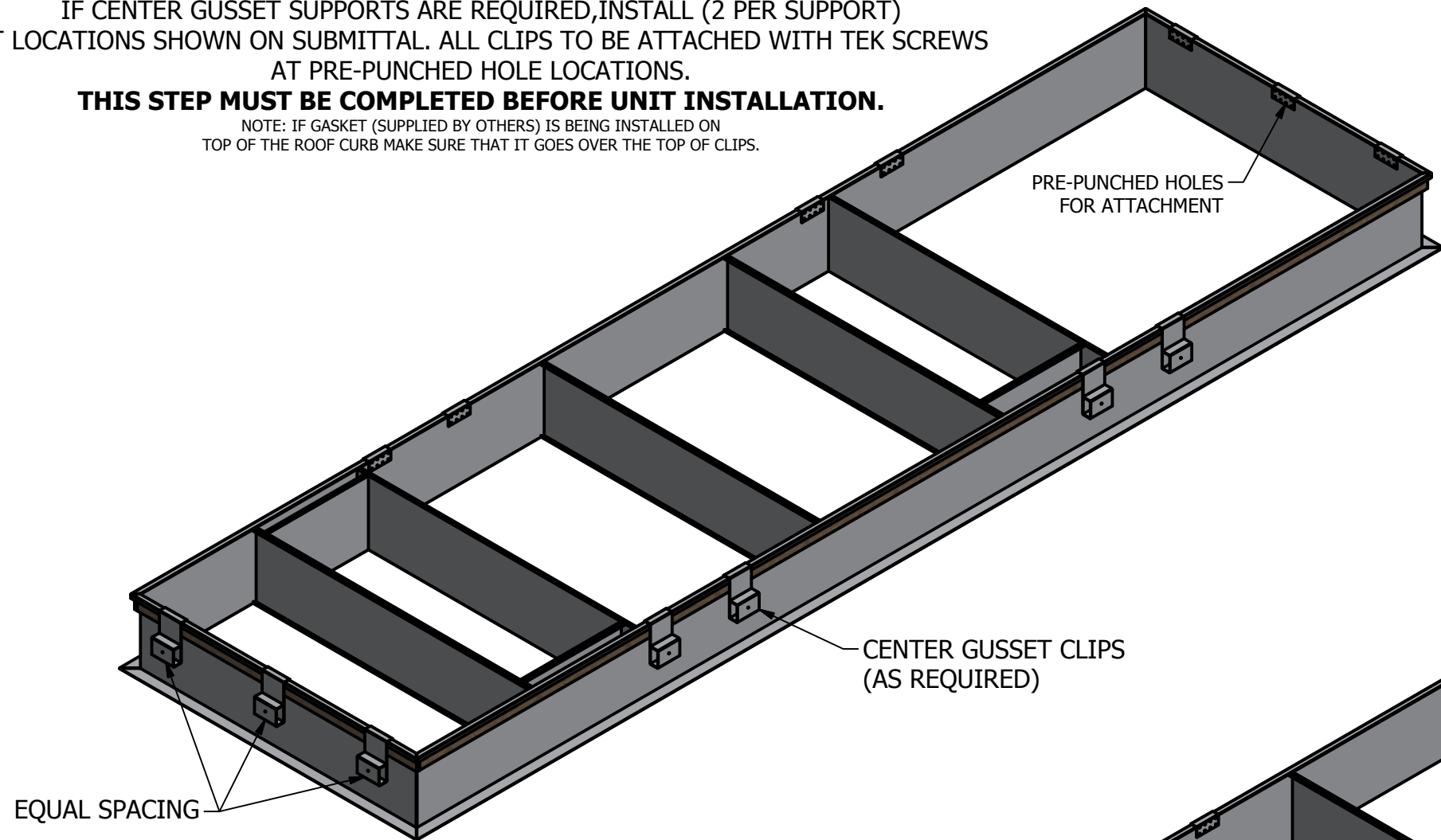


STEP 1:

INSTALL THE SUPPORT RAIL CLIPS (3 PER SHORT SIDE) ON ROOF CURB.
IF CENTER GUSSET SUPPORTS ARE REQUIRED, INSTALL (2 PER SUPPORT)
AT LOCATIONS SHOWN ON SUBMITTAL. ALL CLIPS TO BE ATTACHED WITH TEK SCREWS
AT PRE-PUNCHED HOLE LOCATIONS.

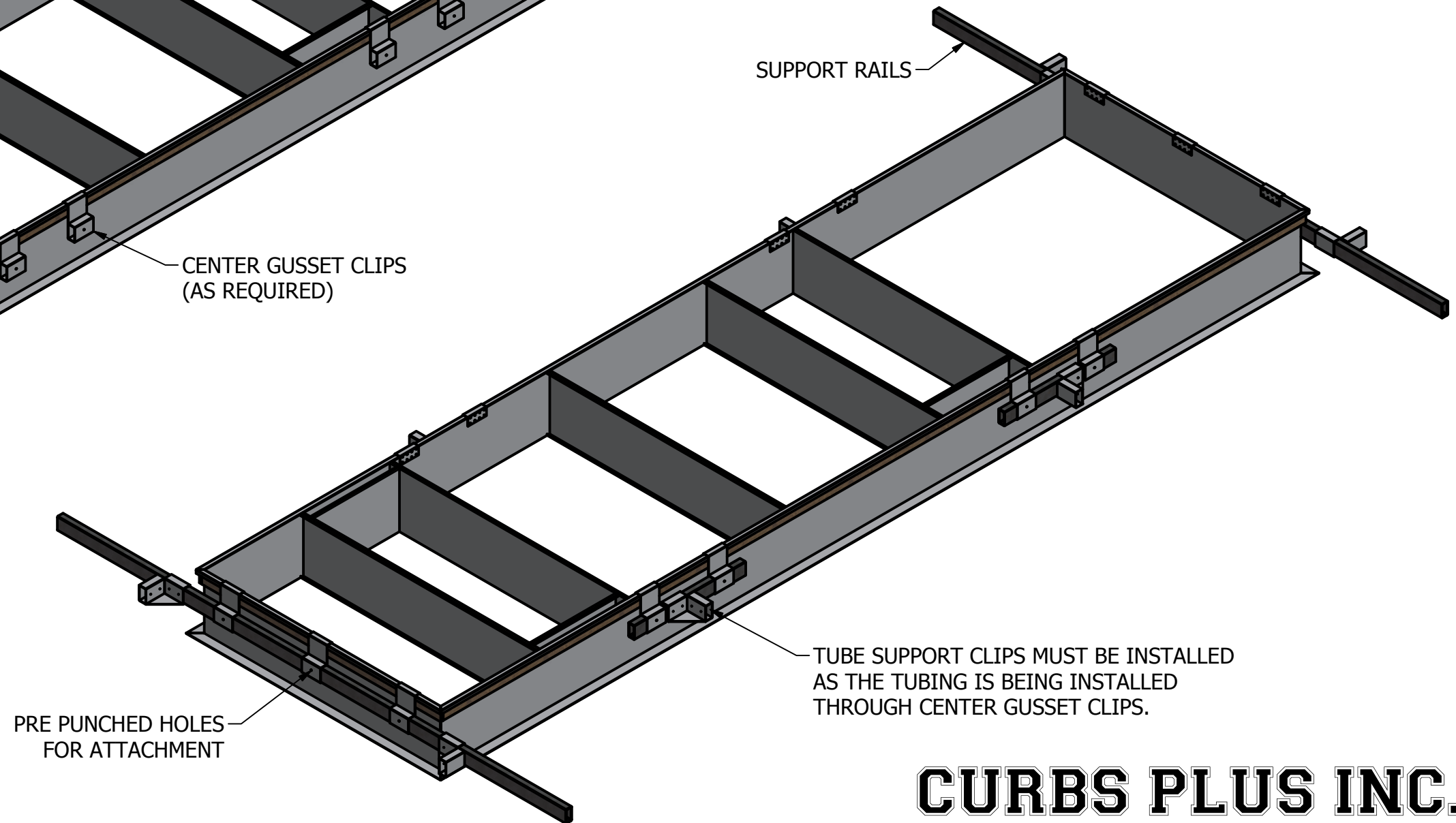
THIS STEP MUST BE COMPLETED BEFORE UNIT INSTALLATION.

NOTE: IF GASKET (SUPPLIED BY OTHERS) IS BEING INSTALLED ON
TOP OF THE ROOF CURB MAKE SURE THAT IT GOES OVER THE TOP OF CLIPS.



STEP 2:

SLIDE THE SUPPORT RAILS INTO THE CLIPS.
ADJUST THE RAILS TO THE CORRECT SPACING SHOWN
ON SUBMITTALS AND ATTACH TO THE CLIPS WITH TEK SCREWS.
WHEN INSTALLING GUSSET SUPPORT RAILS, TUBE
SUPPORT CLIPS SHOULD BE INSTALLED AS THE TUBING
IS SLIDING THROUGH CLIPS.



QUESTIONS?

CONTACT US AT (888)639-2872

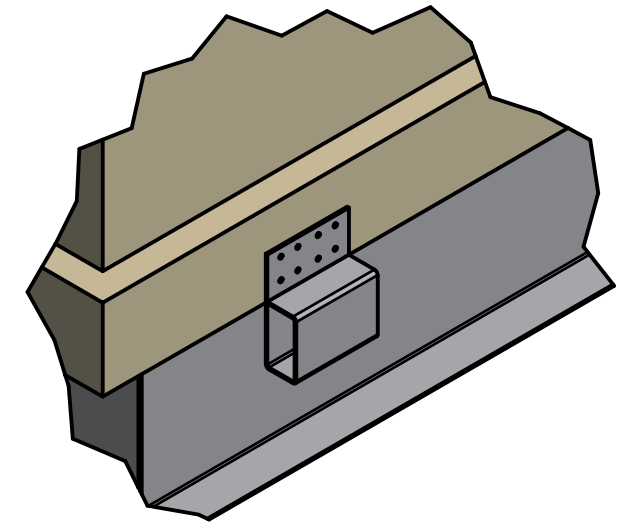
CURBS PLUS INC.

INSTALLATION INSTRUCTIONS

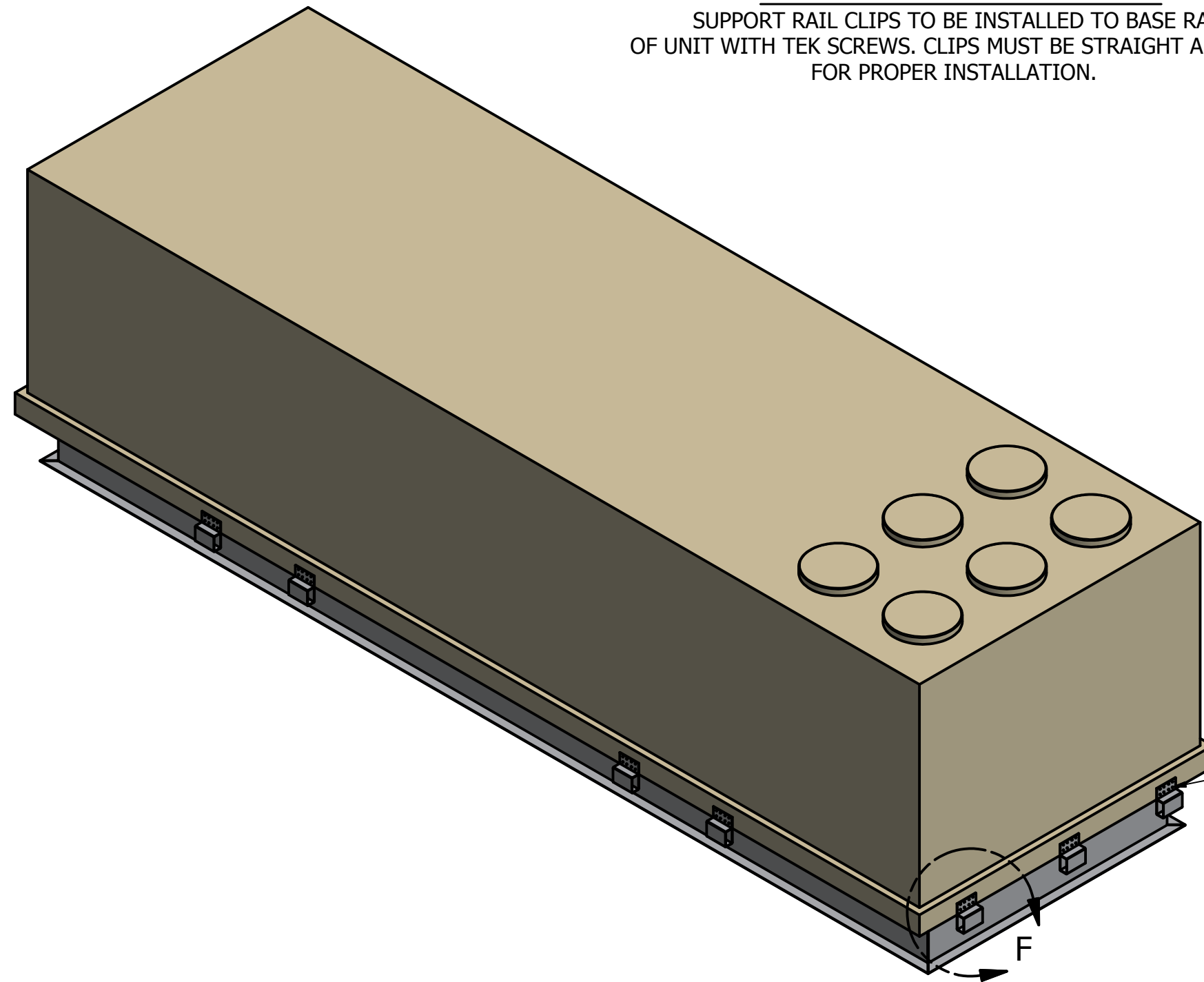
AUGUST 2018 - PAGE 1

**(OPTIONAL)
BASE RAIL ATTACHMENT**

SUPPORT RAIL CLIPS TO BE INSTALLED TO BASE RAIL OF UNIT WITH TEK SCREWS. CLIPS MUST BE STRAIGHT AND EVEN FOR PROPER INSTALLATION.



DETAIL F



PRE-PUNCHED HOLES FOR ATTACHMENT TO BASE RAIL

QUESTIONS?
CONTACT US AT (888)639-2872

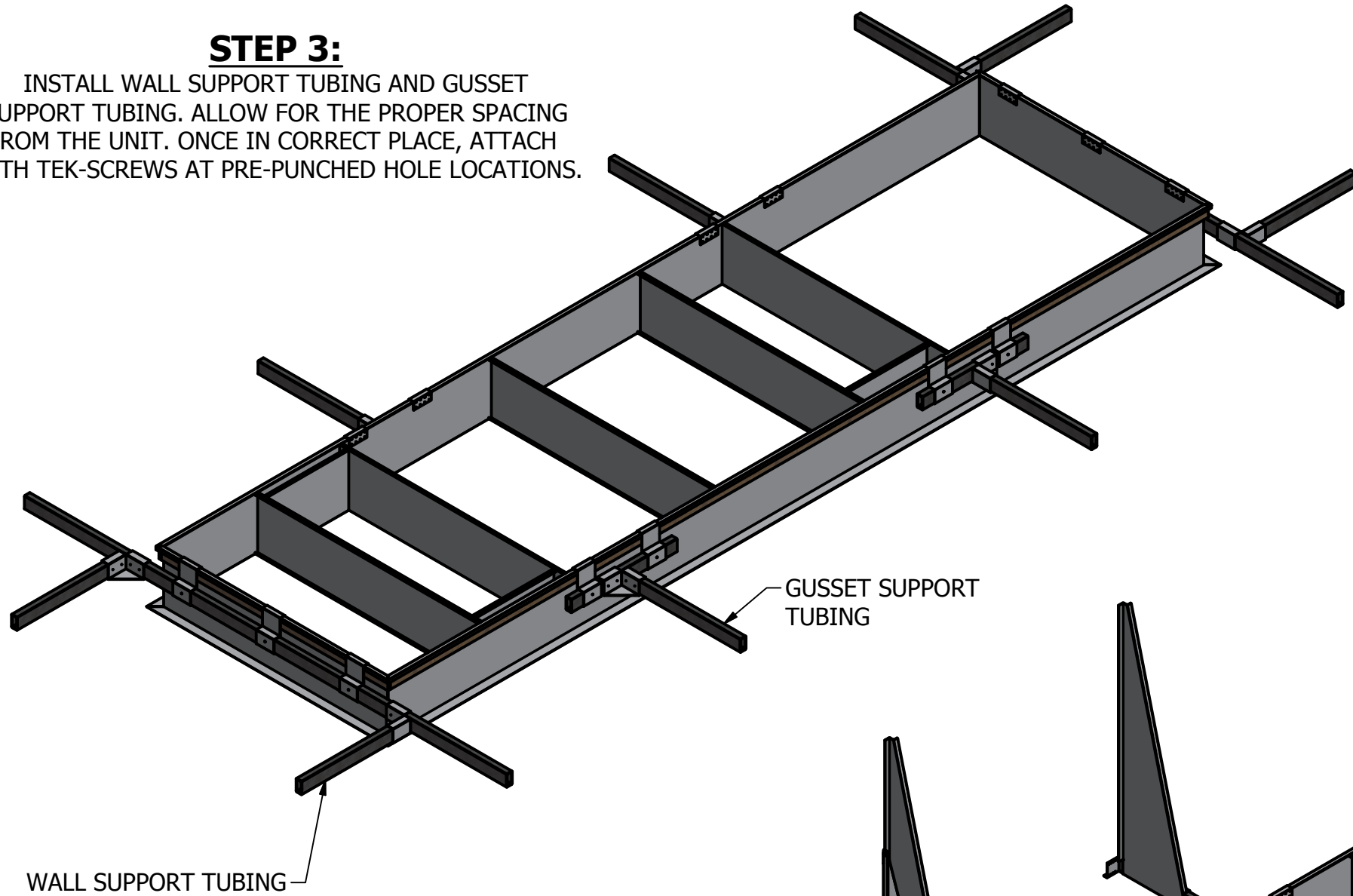
CURBS PLUS INC.

INSTALLATION INSTRUCTIONS

AUGUST 2018 - PAGE 2

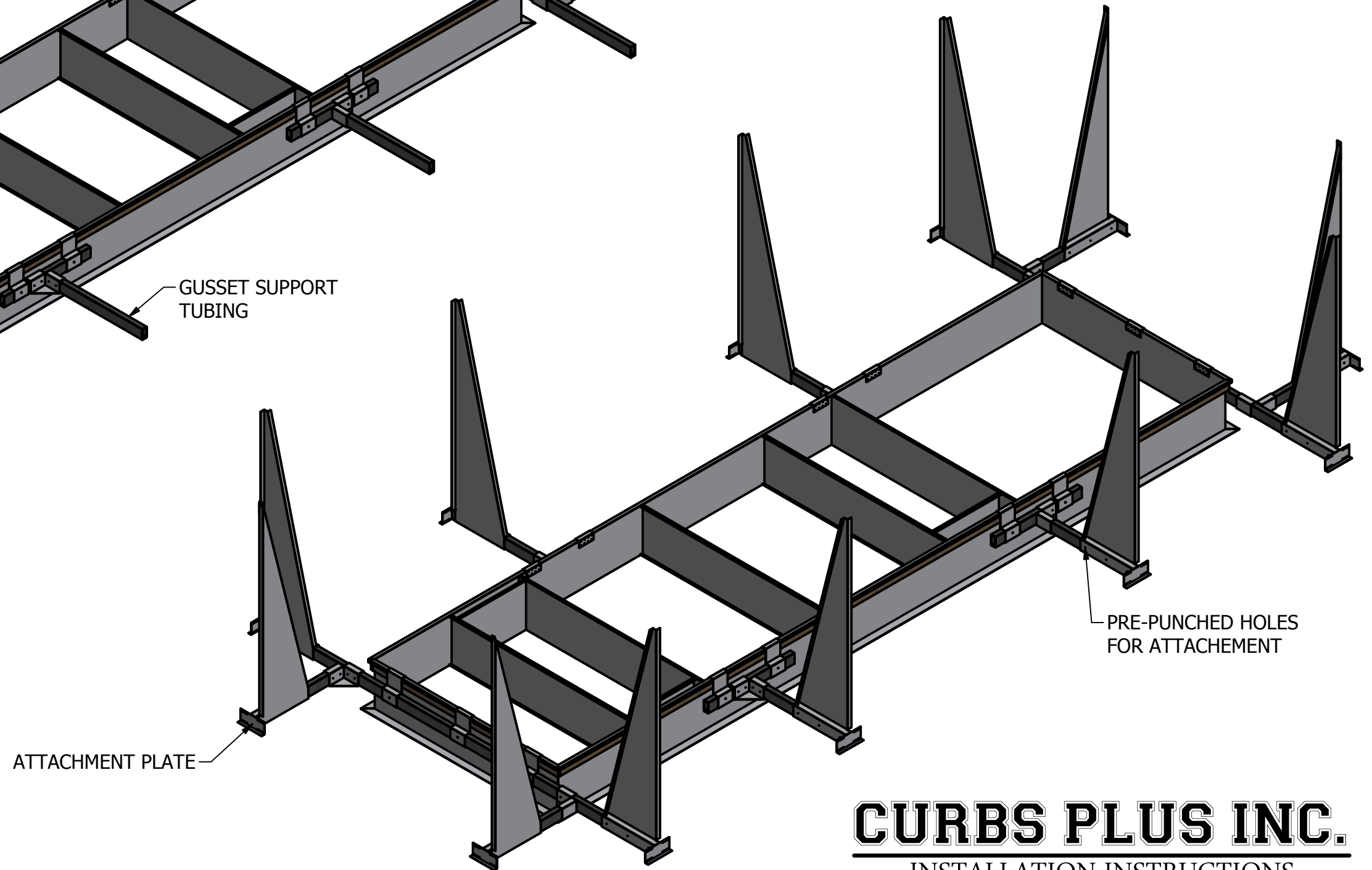
STEP 3:

INSTALL WALL SUPPORT TUBING AND GUSSET SUPPORT TUBING. ALLOW FOR THE PROPER SPACING FROM THE UNIT. ONCE IN CORRECT PLACE, ATTACH WITH TEK-SCREWS AT PRE-PUNCHED HOLE LOCATIONS.



STEP 4:

INSTALL FLAG SUPPORTS AT EACH TUBING SUPPORT LOCATION. SLIDE THE SUPPORTS OVER TUBING UNTIL THEY MEET ATTACHMENT PLATE. ONCE IN CORRECT PLACE, ATTACH WITH TEK SCREWS AT PRE-PUNCHED HOLE LOCATIONS.



QUESTIONS?

CONTACT US AT (888)639-2872

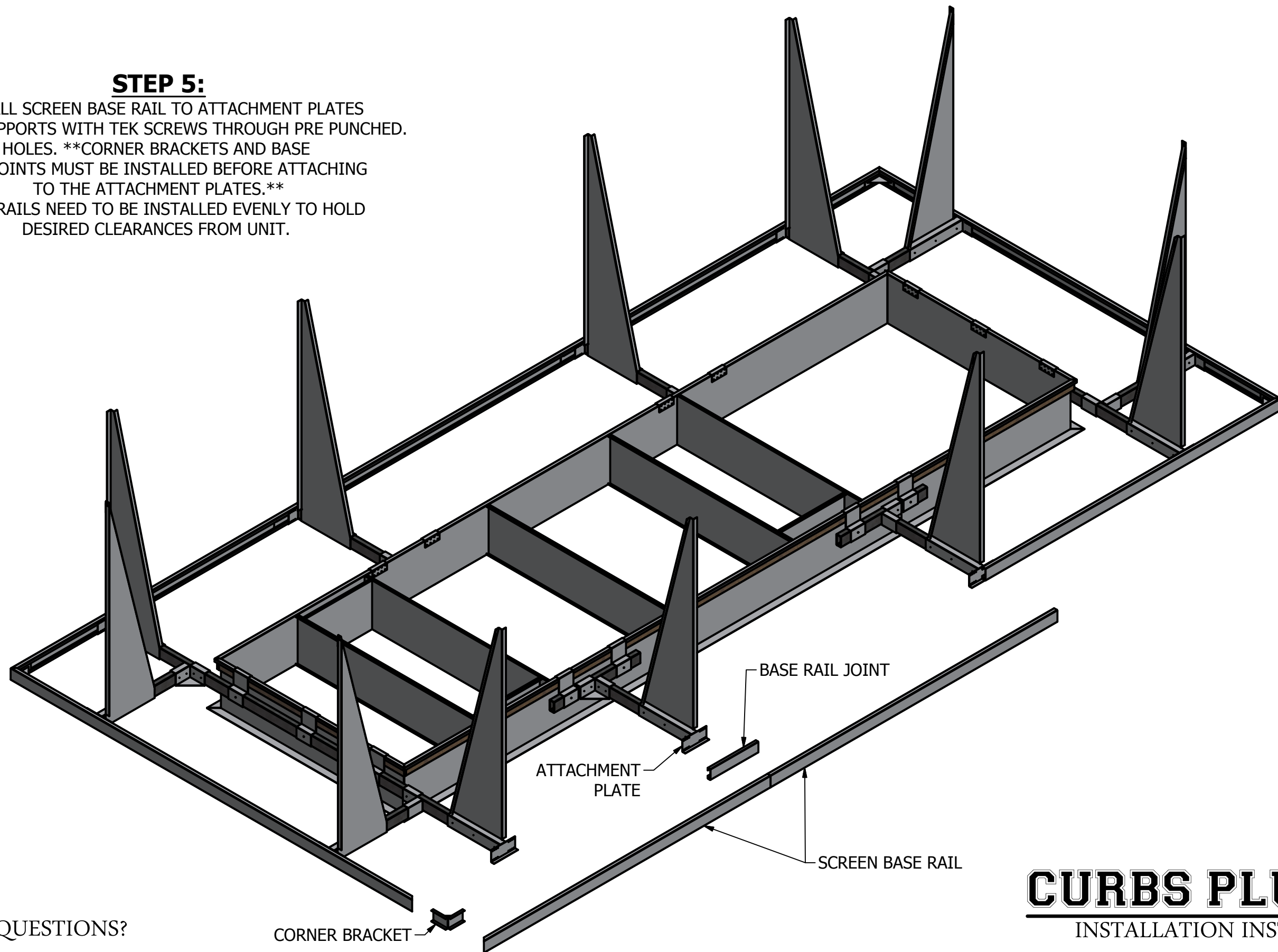
CURBS PLUS INC.

INSTALLATION INSTRUCTIONS

AUGUST 2018 - PAGE 3

STEP 5:

INSTALL SCREEN BASE RAIL TO ATTACHMENT PLATES ON FLAG SUPPORTS WITH TEK SCREWS THROUGH PRE PUNCHED HOLES. **CORNER BRACKETS AND BASE RAIL JOINTS MUST BE INSTALLED BEFORE ATTACHING TO THE ATTACHMENT PLATES.**
BASE RAILS NEED TO BE INSTALLED EVENLY TO HOLD DESIRED CLEARANCES FROM UNIT.



QUESTIONS?
CONTACT US AT (888)639-2872

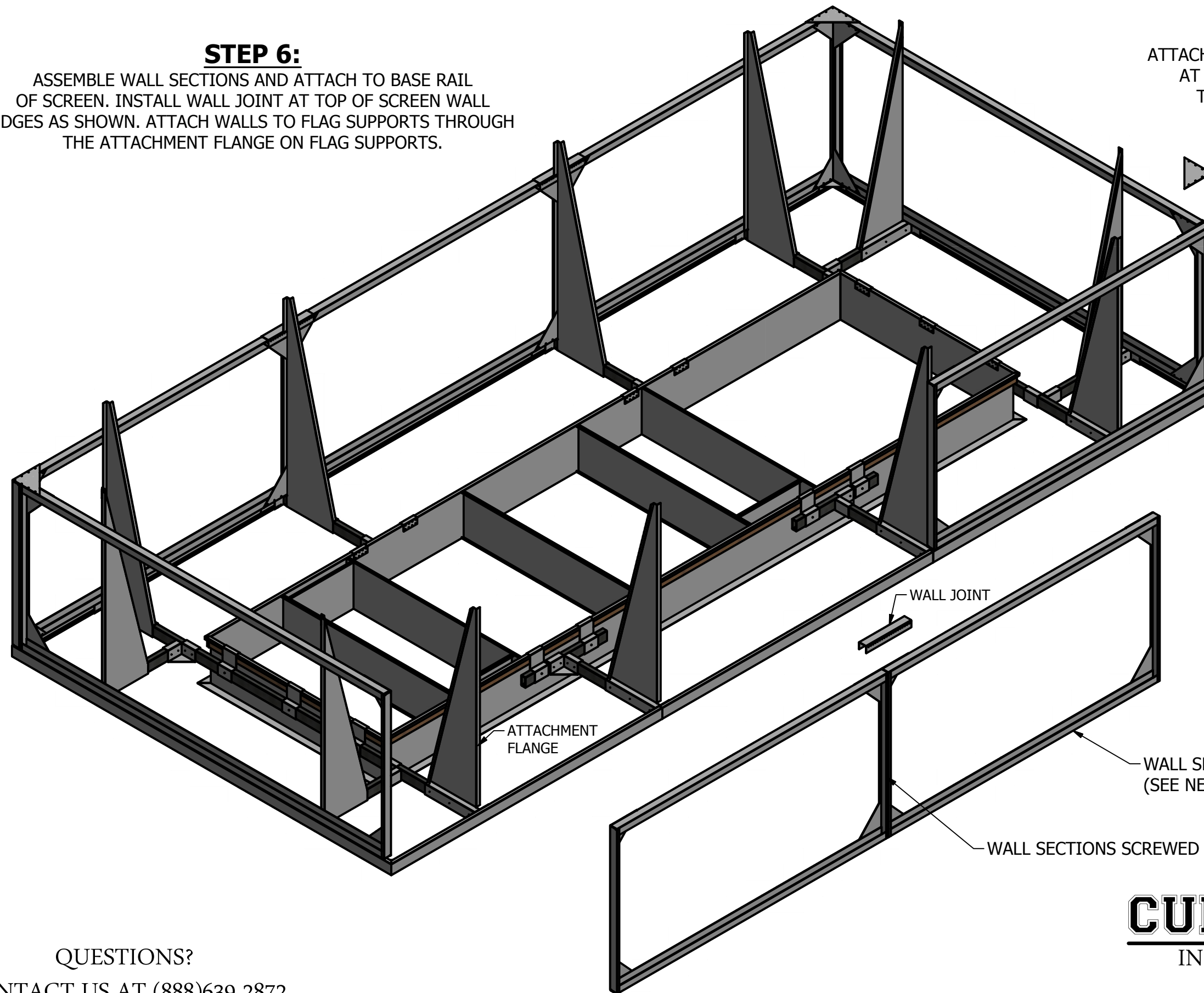
STEP 6:

ASSEMBLE WALL SECTIONS AND ATTACH TO BASE RAIL OF SCREEN. INSTALL WALL JOINT AT TOP OF SCREEN WALL EDGES AS SHOWN. ATTACH WALLS TO FLAG SUPPORTS THROUGH THE ATTACHMENT FLANGE ON FLAG SUPPORTS.

STEP 7:

ATTACH CORNER GUSSETS ON TOP OF WALLS AT THE CORNERS WITH TEK SCREWS THROUGH PRE-PUNCHED HOLES.

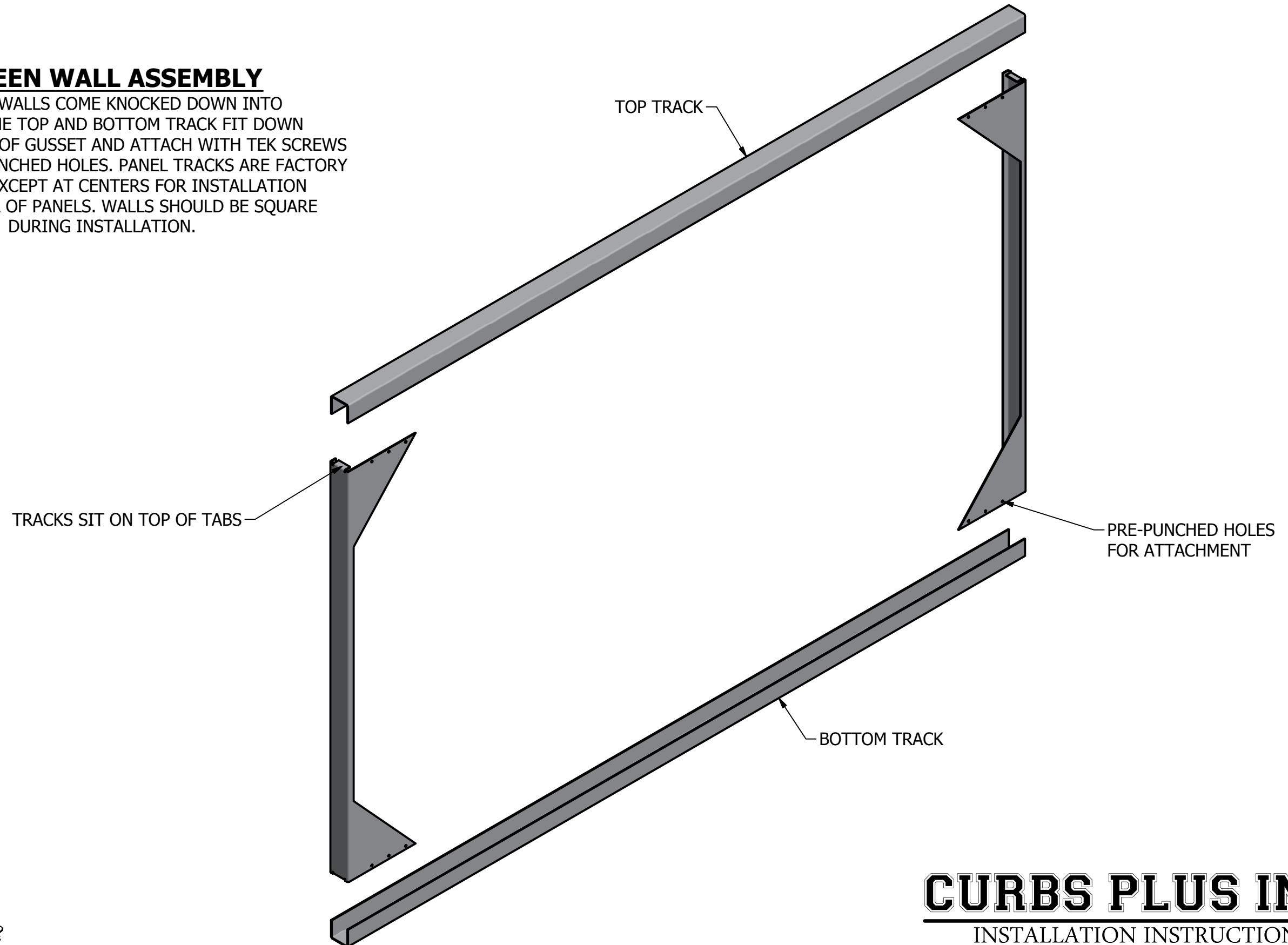
CORNER GUSSETS W/ PRE-PUNCHED HOLES



QUESTIONS?
CONTACT US AT (888)639-2872

SCREEN WALL ASSEMBLY

SCREENS WALLS COME KNOCKED DOWN INTO 4 PIECES. THE TOP AND BOTTOM TRACK FIT DOWN FLUSH WITH TOP OF GUSSET AND ATTACH WITH TEK SCREWS THROUGH PRE-PUNCHED HOLES. PANEL TRACKS ARE FACTORY INSTALLED EXCEPT AT CENTERS FOR INSTALLATION AND REMOVAL OF PANELS. WALLS SHOULD BE SQUARE DURING INSTALLATION.



QUESTIONS?

CONTACT US AT (888)639-2872

CURBS PLUS INC.

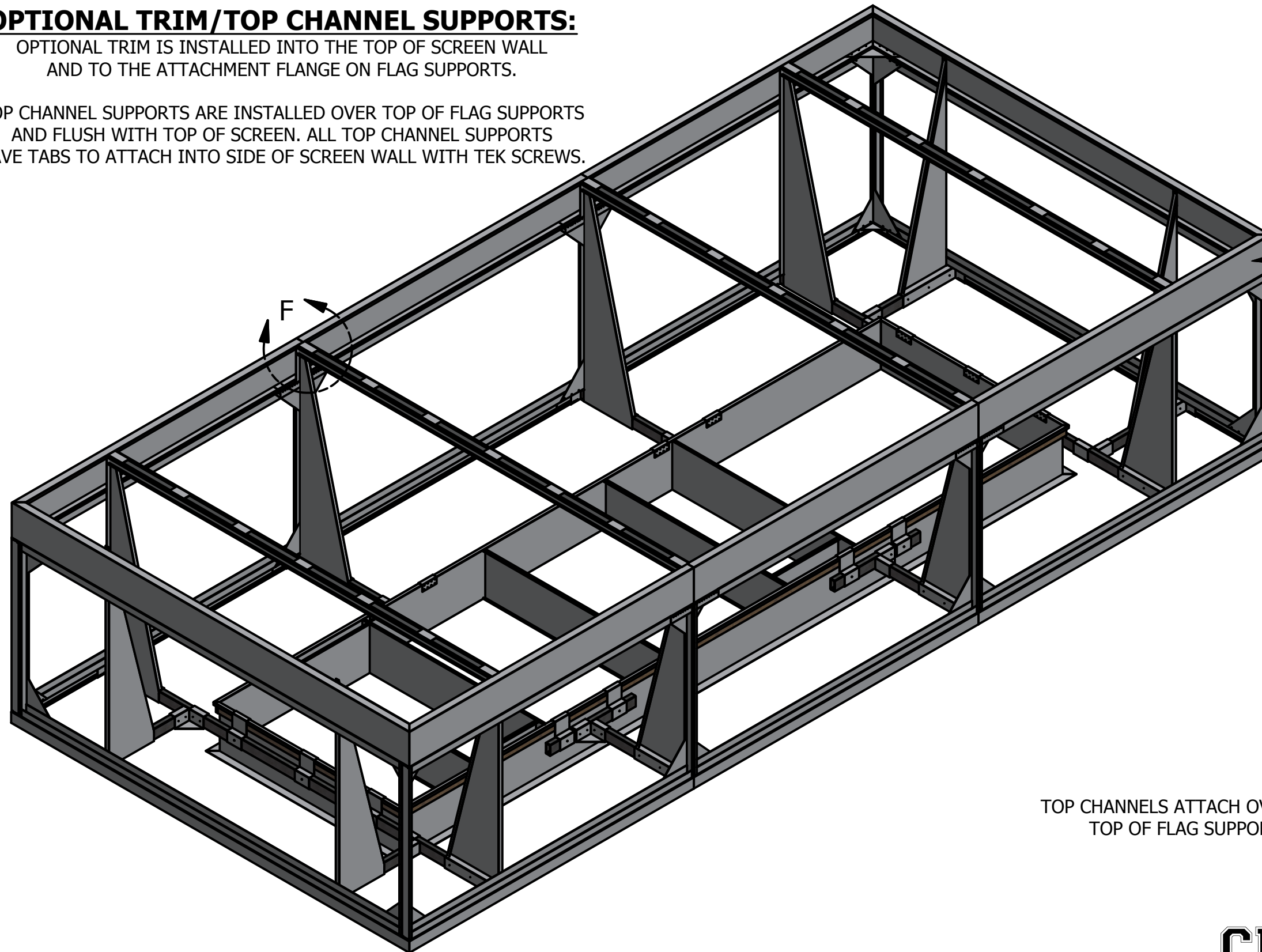
INSTALLATION INSTRUCTIONS

AUGUST 2018 - PAGE 6

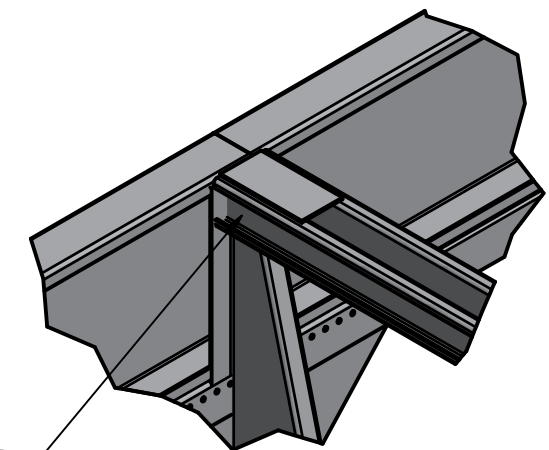
OPTIONAL TRIM/TOP CHANNEL SUPPORTS:

OPTIONAL TRIM IS INSTALLED INTO THE TOP OF SCREEN WALL
AND TO THE ATTACHMENT FLANGE ON FLAG SUPPORTS.

TOP CHANNEL SUPPORTS ARE INSTALLED OVER TOP OF FLAG SUPPORTS
AND FLUSH WITH TOP OF SCREEN. ALL TOP CHANNEL SUPPORTS
HAVE TABS TO ATTACH INTO SIDE OF SCREEN WALL WITH TEK SCREWS.



OPTIONAL TRIM



TOP CHANNELS ATTACH OVER
TOP OF FLAG SUPPORTS

DETAIL F

QUESTIONS?
CONTACT US AT (888)639-2872

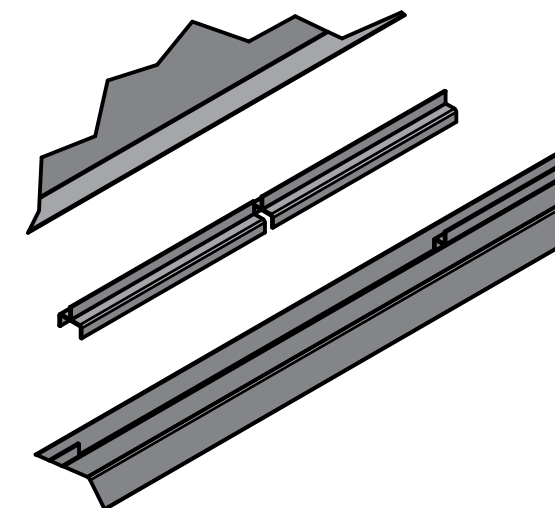
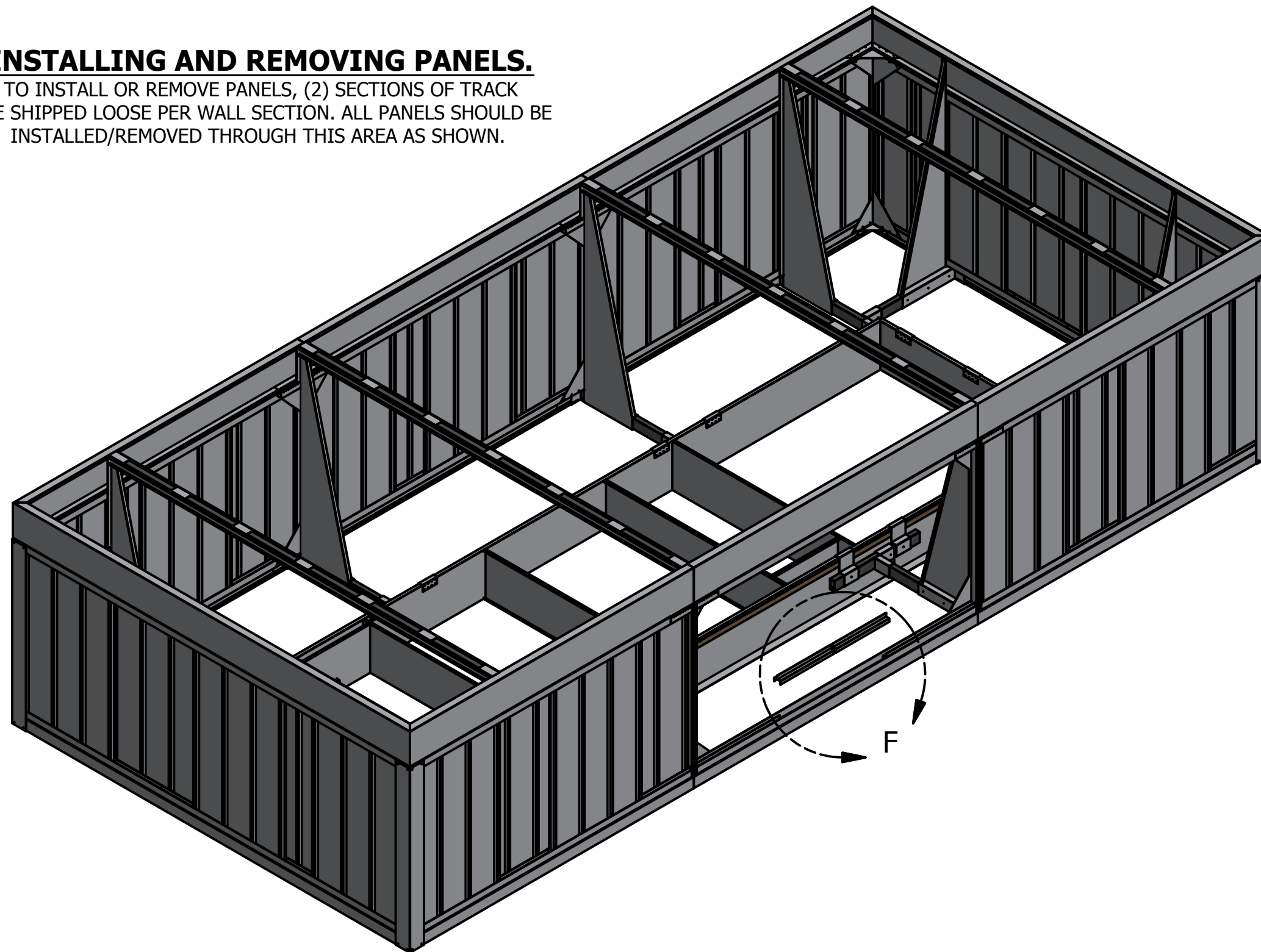
CURBS PLUS INC.

INSTALLATION INSTRUCTIONS

AUGUST 2018 - PAGE 7

INSTALLING AND REMOVING PANELS.

TO INSTALL OR REMOVE PANELS, (2) SECTIONS OF TRACK ARE SHIPPED LOOSE PER WALL SECTION. ALL PANELS SHOULD BE INSTALLED/REMOVED THROUGH THIS AREA AS SHOWN.



DETAIL F

QUESTIONS?
CONTACT US AT (888)639-2872

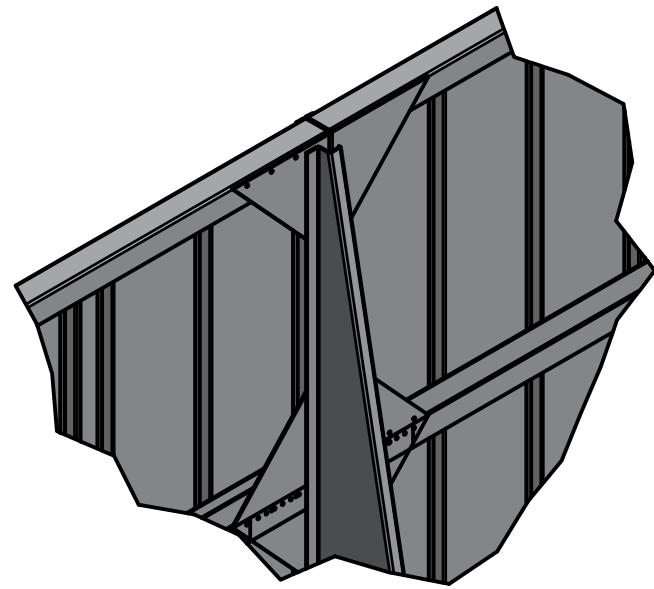
CURBS PLUS INC.

INSTALLATION INSTRUCTIONS

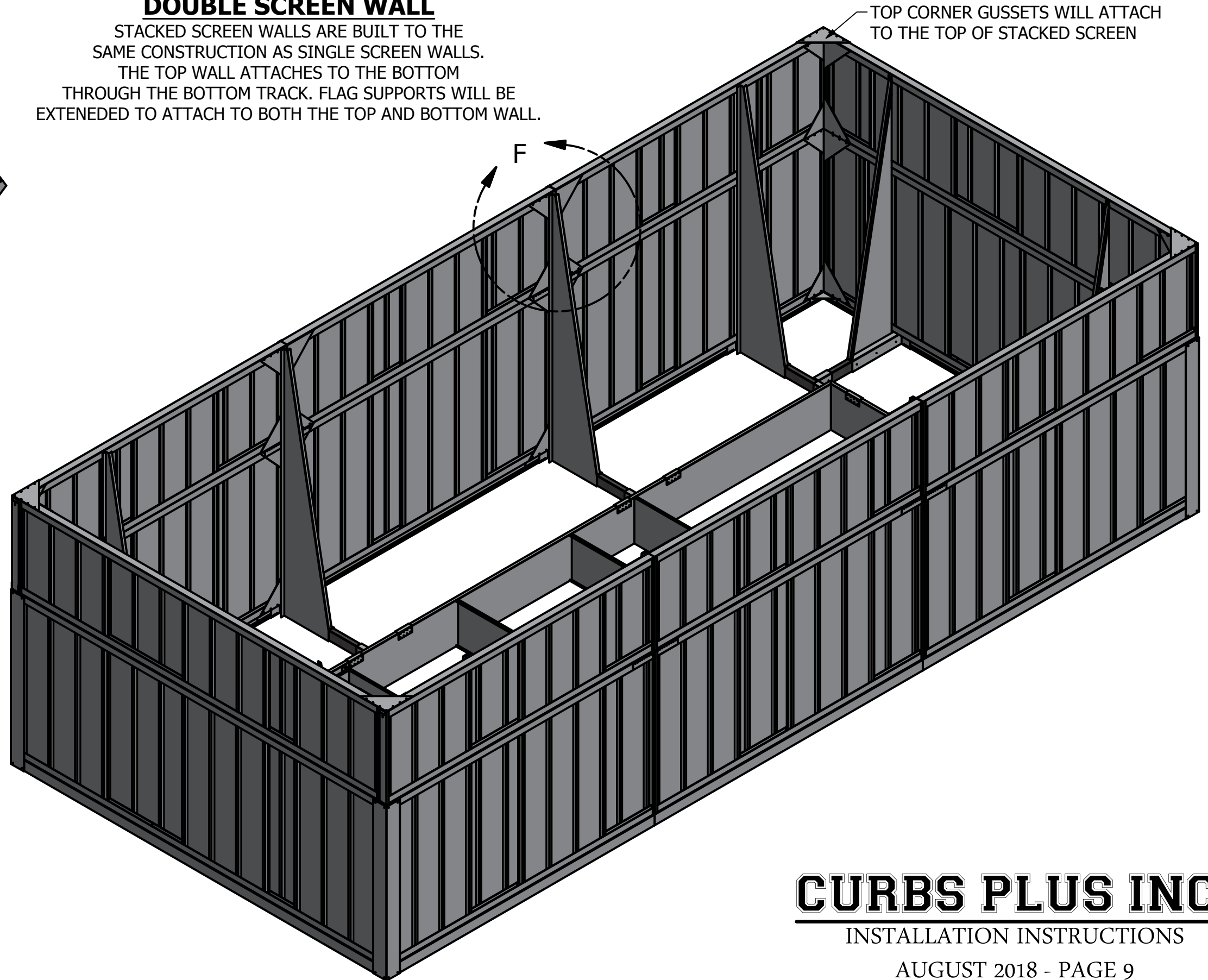
AUGUST 2018 - PAGE 8

DOUBLE SCREEN WALL

STACKED SCREEN WALLS ARE BUILT TO THE SAME CONSTRUCTION AS SINGLE SCREEN WALLS. THE TOP WALL ATTACHES TO THE BOTTOM THROUGH THE BOTTOM TRACK. FLAG SUPPORTS WILL BE EXTENDED TO ATTACH TO BOTH THE TOP AND BOTTOM WALL.



DETAIL F



TOP CORNER GUSSETS WILL ATTACH TO THE TOP OF STACKED SCREEN

QUESTIONS?
CONTACT US AT (888)639-2872

CURBS PLUS INC.

INSTALLATION INSTRUCTIONS

AUGUST 2018 - PAGE 9