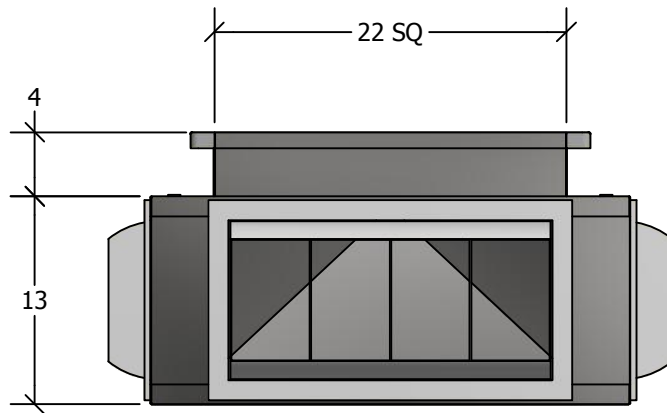


DRUM LOUVER PLENUM-DIFFUSER



STANDARD FEATURES

1. G-90 Galvanized Steel Construction.
2. Turning Vanes in Each Quadrant.
3. 1" 1-1/2 lb. Duct Liner.
4. Vertical and Horizontal Adjustable Drum Louver.
5. Fully Assembled
6. TDC Duct Connections Provided.
7. 3/8" Threaded Inserts for Mounting.
8. Engineered Curb and Duct Packages Available.

NOM CFM 3,000/3,400	MODEL NO DLPD3 2010-7.5/8.5	WEIGHT 139 LBS
0° DEFLECTION		
THROW 33-57	P.D. .292	NC 40
30° DEFLECTION		
THROW 29-50	P.D. .5256	NC 48


CURBS PLUS, INC.
www.curbs-plus.com

QTY TAG

JOB NAME