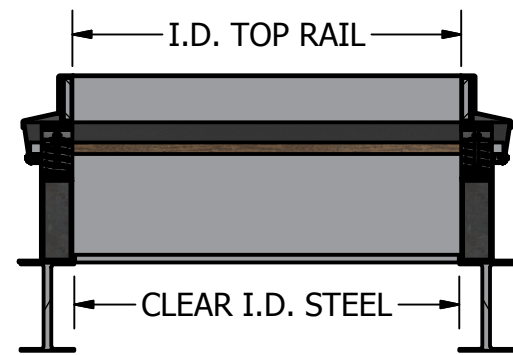


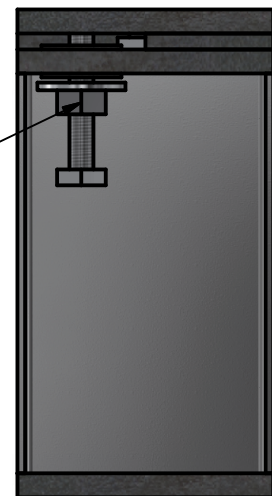
STEP 1:

Determine the location of the new roof curb. Install I.D. of support framing to be even with I.D. of 4" X 6" tube stanchion, which is equal to I.D. of top rail. Curb should be fastened to support framing as required by local code or Engineer of Record.

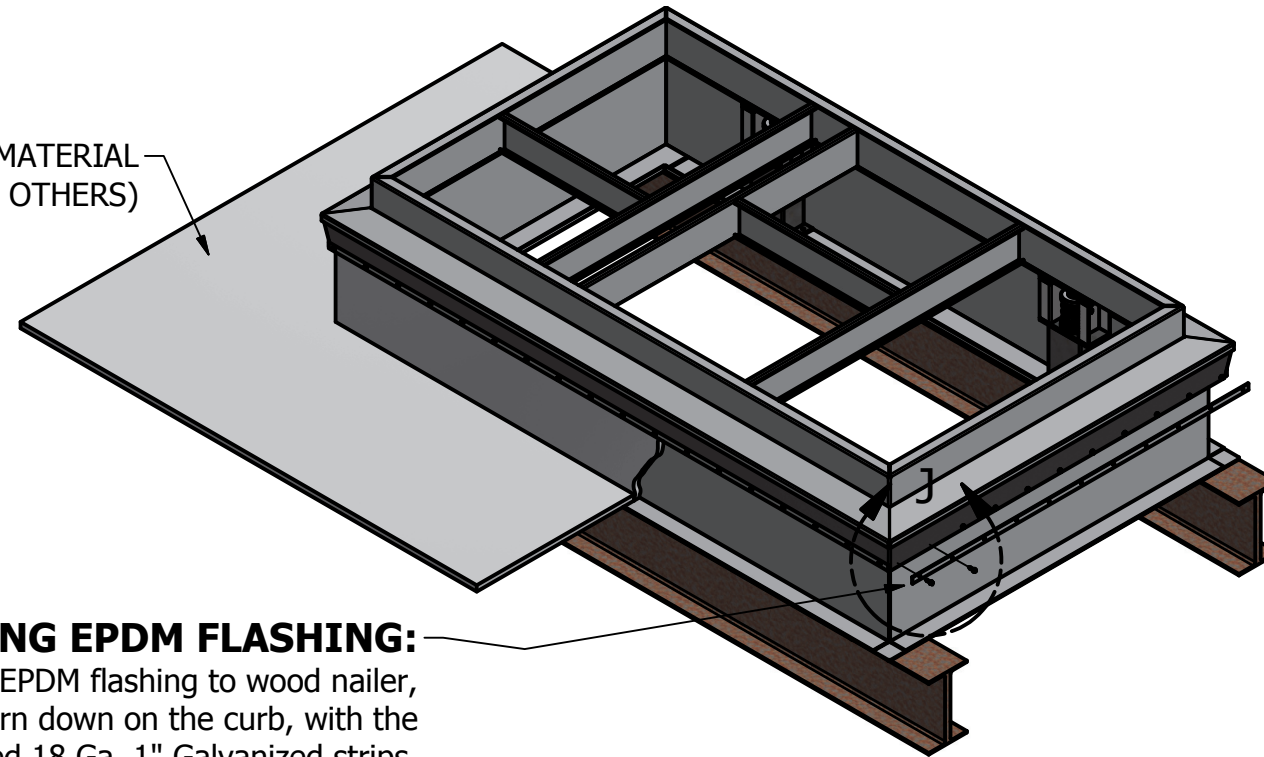


STEP 1 SECTION

VERTICAL RESTRAINT NUT
(ONE EACH SIDE)

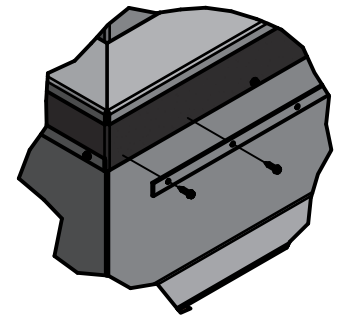


ROOFING MATERIAL
(BY OTHERS)



STEP 2:

Install the roof deck up to curb wall. (Curb must be positioned directly on the support framing.) Place specified insulation against the curb wall and the install roofing material up to or over curb flange/wood nailer.



DETAIL J

INSTALLING EPDM FLASHING:

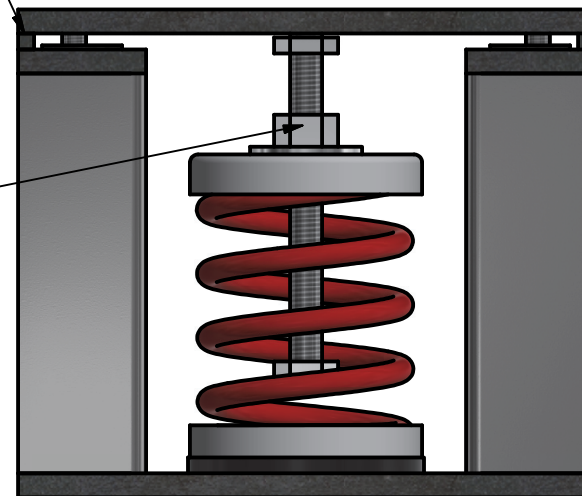
Fasten bottom of EPDM flashing to wood nailer, or the 1" turn down on the curb, with the provided 18 Ga. 1" Galvanized strips.

Recommended Fasteners on 3" centers:

- 1 1/4" wood screws @ wood nailer
- 3/4" tek screws @ 1" curb flange
- (By Others)

1/4" SPACER BLOCK
(ONE EACH SIDE TO BE REMOVED AFTER INSTALLATION.)

SPRING
ADJUSTMENT
NUT



ADJUSTING SPRING ISOLATION.

STEP 1: Loosen the vertical restraint nuts to bottom of bolt.

STEP 2: Spring adjustments can be made by starting at any isolator and turning the adjustment nut clockwise two turns. Proceed around the equipment, adjusting each isolator uniformly until each isolator rises off the spacer block 1/32"

STEP 3: Once all isolators are floating approximately 1/32" from the top of spacer block, adjustments are complete and spacer blocks need to be removed from all isolators.

QUESTIONS?
CONTACT US AT (888)639-2872

CURBS PLUS INC.

INSTALLATION INSTRUCTIONS

JUNE 2018