

**CPM-5 (INSULATED) METAL BLDG. ROOF CURB**

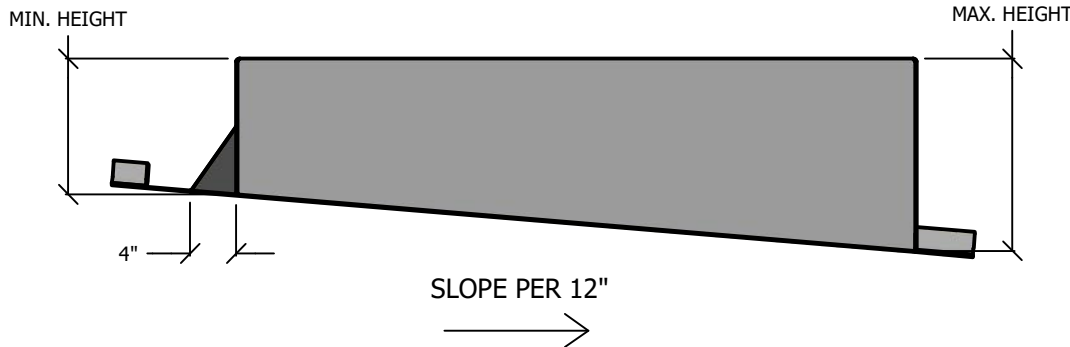
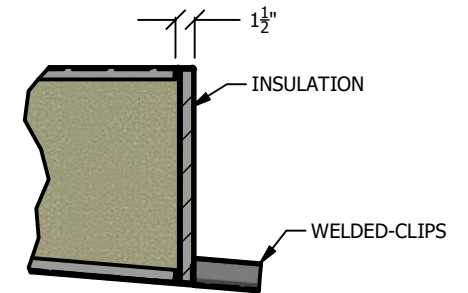
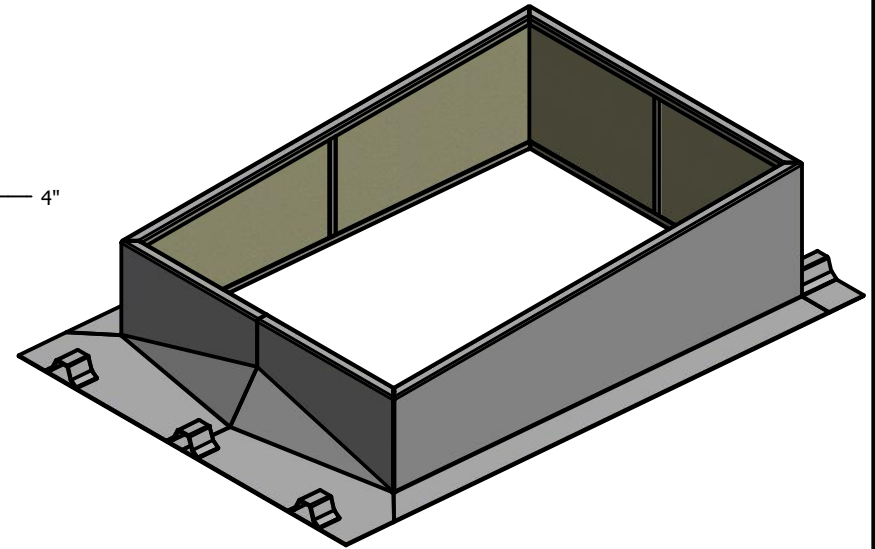
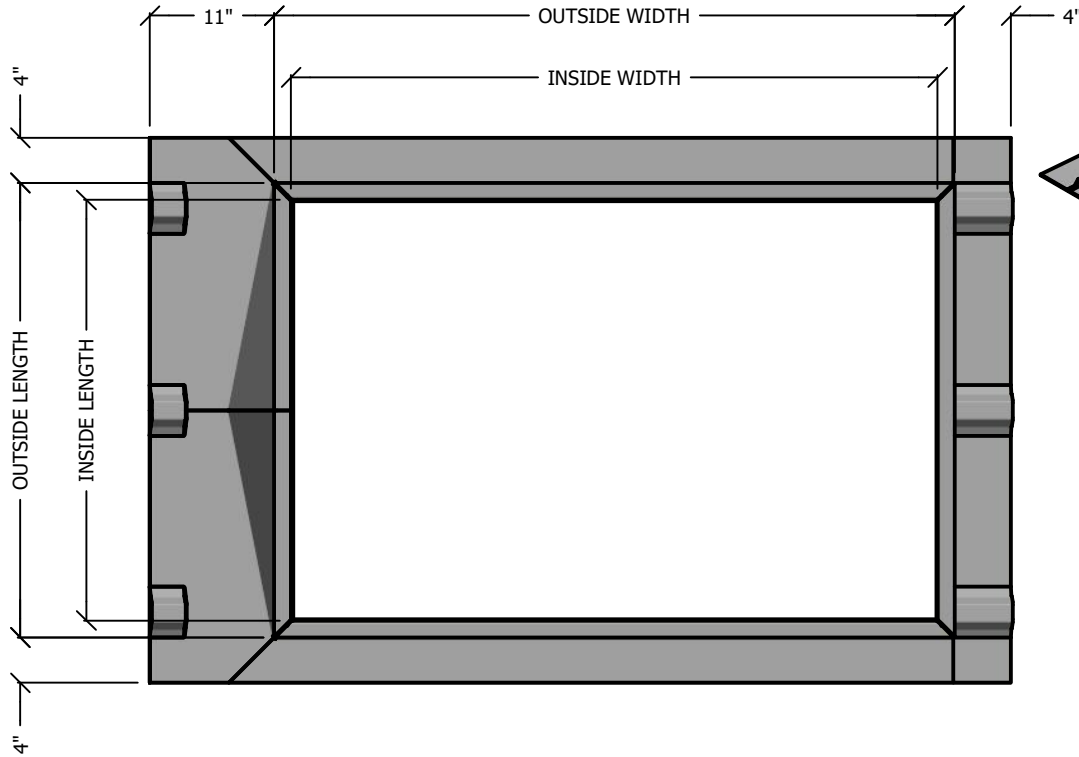
**STANDARD FEATURES**

1. Fully Welded Watertight One-piece Construction.
2. Prime Painted after Fabrication.

CLIPS TO MATCH ROOF PANEL \_\_\_\_\_

NUMBER OF OVER CLIPS PER CURB \_\_\_\_\_

NUMBER OF UNDER CLIPS PER CURB \_\_\_\_\_



NEEDED DIMENSIONS	
OUTSIDE WIDTH	
INSIDE WIDTH	
OUTSIDE LENGTH	
INSIDE LENGTH	
MIN. HEIGHT	
MAX. HEIGHT	
SLOPE PER 12"	

Phone: 888-639-2872  
Website: curbsplus.com

**CURBS PLUS, INC.**

DRAWING DATE:	REVISION DATE:	DRAWN BY: J. LONG
MATERIAL:		SALE CONTACT NAME:
INSULATION: 1 1/2" 3# DENSITY		APPOX. WEIGHT
MODEL #: CPM 5		
QTY:	TAG.	