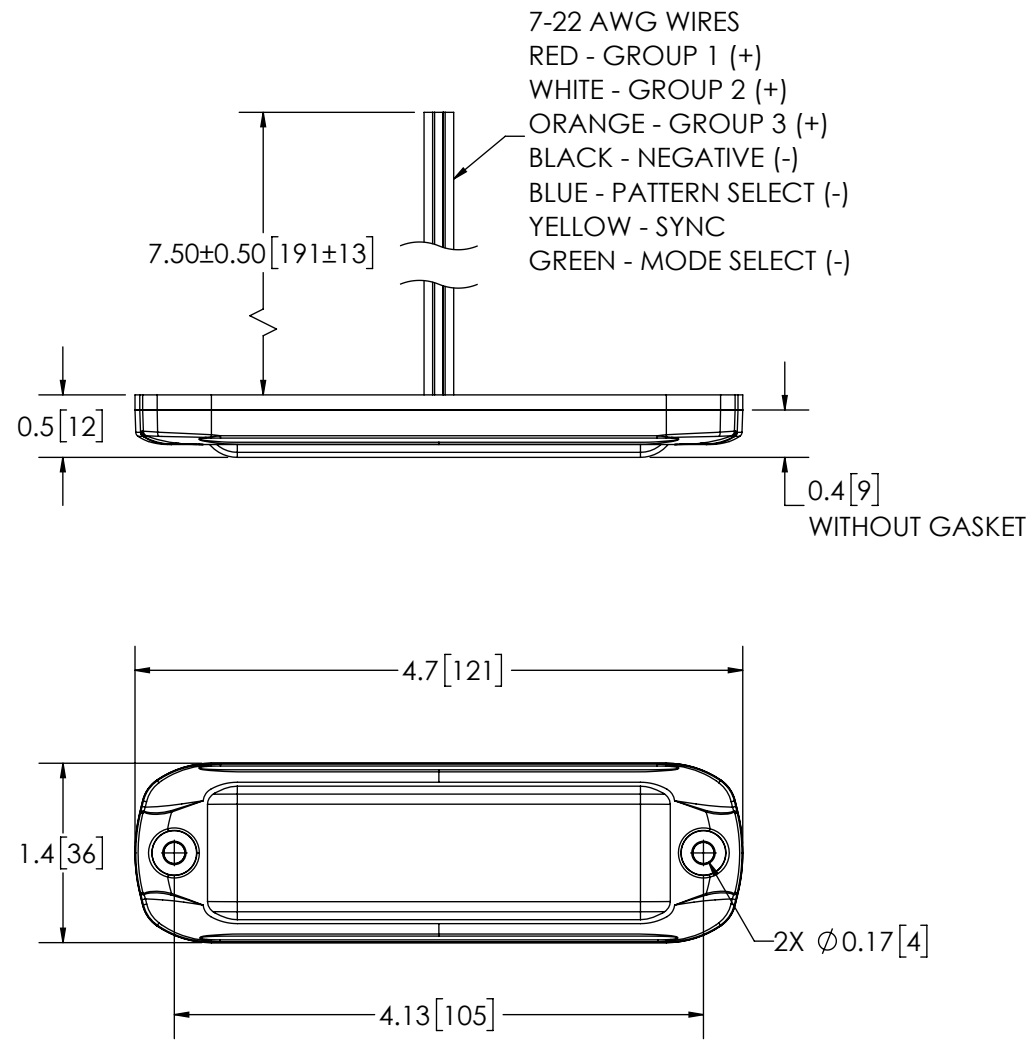


REVISION HISTORY		
REV.	DESCRIPTION	DATE
04	REVISED PER EB0021	2025-02-21
05	REVISED PER EB0021	2025-02-27
A	INITIAL RELEASE PER EB0021	2025-03-03



SPECIFICATIONS

- CERTIFICATIONS: SAE J595 (MAR 2021) CLASS 1; RED, BLUE, AMBER, WHITE; CLASS 2M WHITE(-S VERSION); CA13; IP67/IP69K; ROHS; REG10; CE; UKCA
 Note: Unique components, accessories, and hardware kits are not typically included in the Product Certification Test Protocols. Unless otherwise specified, the Product Certifications referred to herein are predicated upon the base product model configuration.
- FLASH MODE:
 SINGLE: 75 ± 5 FLASHES PER MINUTE
 SINGLE: 120 ± 5 FLASHES PER MINUTE
 SINGLE: 375 ± 5 FLASHES PER MINUTE
- VOLTAGE (NOMINAL): 12 to 24 VDC
- VOLTAGE (EXTREME): 9 to 32 VDC
- CURRENT (PEAK): 0.60 A (@ 12 VDC NOMINAL)
- POWER (MAXIMUM): 7.70 W (@ 12 VDC NOMINAL)
- TEMPERATURE RANGE: -40°C (-40°F) to 65°C (149°F)
- CONNECTION: 7 - 22 AWG WIRES
- MOUNTING: 2 BOLT
- BASE MATERIAL: ALUMINUM
- LENS MATERIAL: POLYCARBONATE
- PRODUCT WEIGHT: 0.09LBS (0.04Kg)

FGS PRODUCT CHART	
FGS. NO.	COLOR
CD3802RBAW	RED/BLU/AMB/WHT
CD3802RBAW-S	RED/BLU/AMB/WHT

NOTES:
 1. DIMENSIONS IN INCHES [MILLIMETERS (FOR REFERENCE)]

PROPRIETARY AND CONFIDENTIAL INFORMATION
 THIS DRAWING AND THE DESIGN AND OTHER INFORMATION DISCLOSED HEREIN ARE THE PROPERTY OF ELECTRONIC CONTROLS COMPANY AND/OR ITS ECCO SAFETY GROUP AFFILIATES ("ECCO") AND IS ISSUED IN CONFIDENCE TO RECIPIENT FOR ENGINEERING INFORMATION PURPOSES ONLY. THIS DRAWING AND THE DESIGN AND OTHER INFORMATION DISCLOSED HEREIN MAY NOT BE USED, COPIED, REPRODUCED OR OTHERWISE DISCLOSED IN PART OR IN WHOLE TO THIRD PARTIES OR USED FOR ANY OTHER PURPOSE WITHOUT PRIOR ECCO WRITTEN CONSENT. ECCO RESERVES ALL PATENT, COPYRIGHT, TRADEMARK AND OTHER PROPRIETARY RIGHTS TO THIS DOCUMENT, INCLUDING ALL DESIGN, MANUFACTURING, REPRODUCTION, USE AND SALES RIGHTS THERETO. THIS DRAWING IS SUBJECT TO RECALL BY ECCO AT ANY TIME, AND YOUR POSSESSION AND/OR USE CONSTITUTES ACCEPTANCE OF THESE TERMS. ©2024 ELECTRONIC CONTROLS COMPANY

SCALE 2:3	APPROVALS	DATE
CAD GENERATED DRAWING DO NOT MANUALLY UPDATE.	DRAWN BY MDH	2025-02-27
	CHECKED BTK	2025-03-03
TOLERANCES ARE IN INCHES, AND MILLIMETERS TOLERANCES UNLESS OTHERWISE STATED ARE:	MECH. ENG. JLA	2025-02-28
	ELEC. ENG. SPO	2025-03-03
MILLIMETERS DECIMALS XX. ± 1.0mm XX.X ± 0.5mm	TEST ENG. JRT	2025-03-03
	SALES.	
MILLIMETERS DECIMALS X.X ± 0.1 X.XX ± 0.04 X.XXX ± 0.02		
ANGLES ± 0.5°		
FRACTIONS ± 1/64		
THIRD ANGLE PROJECTION		
Electronically Controlled Use Latest Copy		

ECCO® www.eccolink.com

Americas (800) 635-5900 | Europe +44 (0)113 237 5340 | Asia Pacific +61 (0)3 63322444

DIR LED, SURF MNT, THIN, 12-24V

CUSTOMER PART NO.
(SEE CHART)

SIZE: A	DWG. NO. CD3802XXXX	REV. A
SHEET 1 OF 1	Project: EB0021	Date Created: 2024-09-20