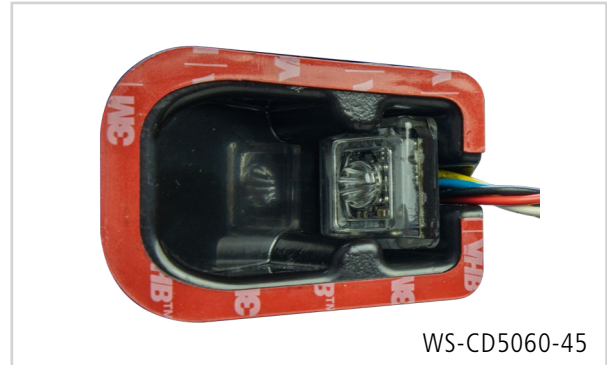
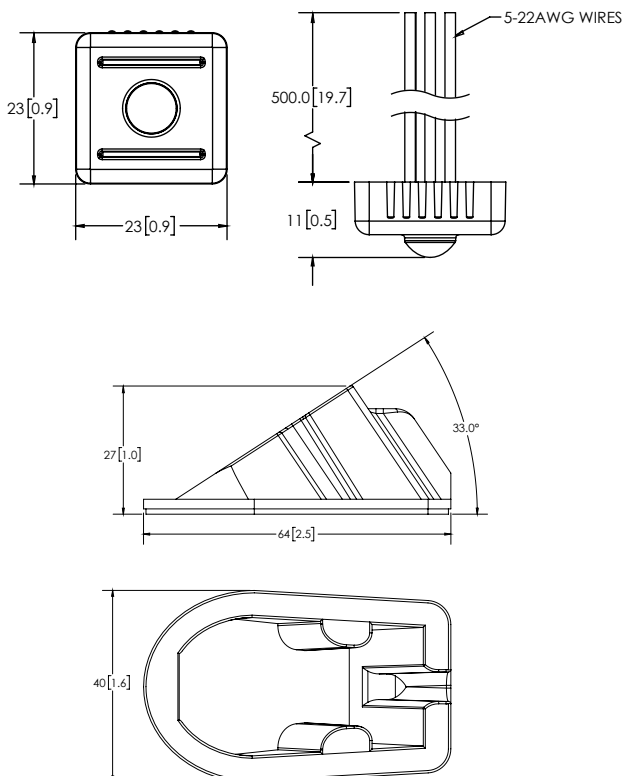


CD5060 SERIES

Covert Mini Directional



The Code 3 CD5060 Series Covert Mini Directional is a compact, ultra-bright single LED warning light unit, measuring just 23x23x11mm. Engineered specifically for covert police vehicle applications, this lamp is ECE R65 and R10 approved. It features a robust design with IP67 and IP69K ingress protection, ensuring durability in tough conditions. The optional polycarbonate window shroud, sold separately, can be easily mounted using 3M™ adhesive tape. Available in blue, amber, white, and red variants. This unit is fully compatible with the Code 3 DNA control system, making it a versatile and reliable choice for emergency lighting needs.



VOLTS	12–24VDC
AMPS	1.2A @12VDC
DIMS	Module: 23 L x 23 H x 11mm D Shroud: 64 L x 40 H x 27mm D
FLASH PATTERNS	22
CERTS	ECE R65 CLASS 1, ECE R10, SAE J595 CLASS 1, CAP168/ICAO, CE, IP67, IP69K, RoHS

DETAILS	<ul style="list-style-type: none"> •Mini design for covert applications •Single colour LED •3M™ adhesive backing tape •Compact polycarbonate window shroud available (sold separately) •ECE R65 class 1 approved when 4 units paired (amber/blue) / when 6 units paired (red). •SAE J595 Class 1 approved when 4 units paired (amber/blue) / when 6 units paired (red). •CAP168/ICAO airport flash •IP67 and IP69K ingress protection •Inhibit Circuit: temporarily disable the product flash when Indicators are active •Code 3 DNA system compatible
---------	--

MODEL	TYPE
CD5060A	LED, Amber
CD5060B	LED, Blue
CD5060R	LED, Red
CD5060W	LED, White
WS-CD5060-45	Window Shroud