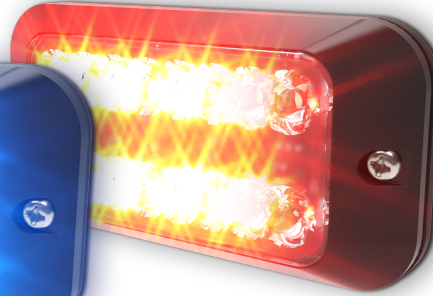


XTP4DS SERIES SURFACE MOUNT

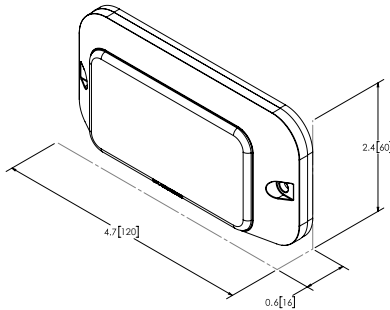
XTP4DSBB-SB



XTP4DSMCRB-SB



The XTP4DS Series is available in single- or dual-color and features a sleek, low-profile design that delivers a bright warning signal. These compact, weather-resistant exterior lights can be mounted virtually anywhere on a vehicle to meet any need or application. Other features include steady-burn and flash pattern output control.



VOLTS AMPS	12-24V 1.2A
DIMS	2.4" H x 4.7" L x 0.6" D 61mm H x 120mm L x 16mm D
MOUNTING HOLE SPACING	4.12" 105mm
FLASH PATTERNS	62 (single-color), 70 (dual-color)
CERTS	CLASS I (SAE J595), NFPA, R65, R10, IP67, IP69K, RoHS
DETAILS	<ul style="list-style-type: none"> Adjustable flash pattern output, steady-burn and dimming capabilities Multiple flash patterns with phase 1 and phase 2 syncing capabilities Ultrasonic welding for better sealing Polycarbonate housing resists corrosion Built-in vent combats moisture ingress
REPLACE	"_" with A = Amber, B = Blue, G = Green, R = Red, W = White

MODEL	TYPE	ILLUMINATION COLORS
XTP4DS__-SB	Single	AA, BB, RR, WW
XTP4DSMC__-SB	Dual	AW, BA, BW, RA, RB, RW



XT4-DL2
L-BRACKET
Universal