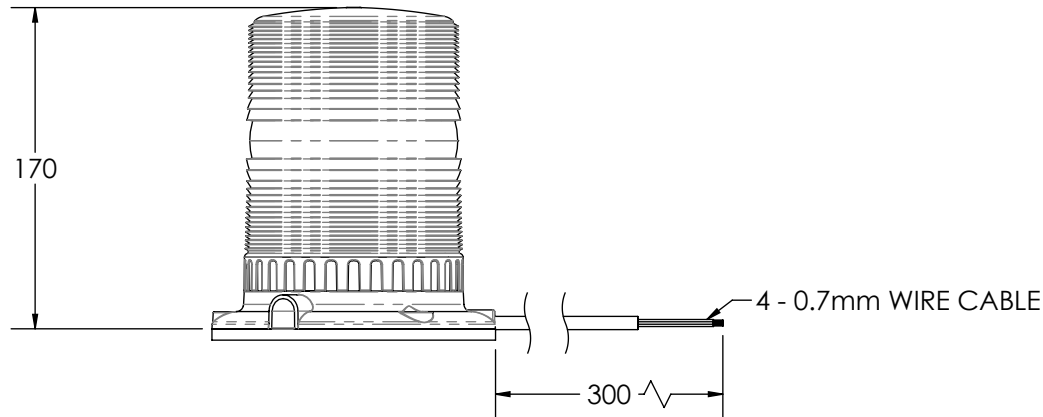
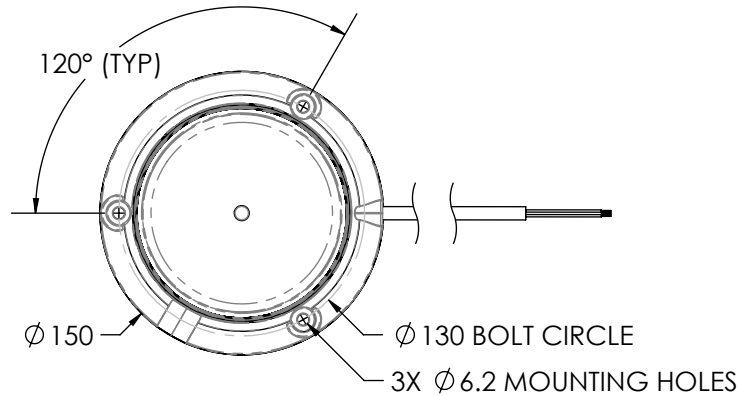


REVISION HISTORY		
REV.	DESCRIPTION	DATE
A	INITIAL RELEASE	2024-12-03
B	REVISED	2025-05-01




SPECIFICATIONS

- CERTIFICATIONS: ECE R10; ECE R65; CISPR 25 LEVEL 5; RCM; ROHS; REACH; ADR; IP69K
Note: Unique components, accessories, and hardware kits are not typically included in the Product Certification Test Protocols. Unless otherwise specified, the Product Certifications referred to herein are predicated upon the base product model configuration.
- VOLTAGE (NOMINAL): 10 - 30 VDC
- VOLTAGE (EXTREME): 9 - 32 VDC
- CURRENT (PEAK): SEE CHART (@12 VDC NOMINAL)
- POWER (EXTREME): SEE CHART (@12 VDC NOMINAL)
- TEMPERATURE RANGE: -40° C (-40° F) to 65° C (149° F)
- CONNECTION: 4-0.7mm CABLE
- MOUNTING: 3 BOLTS, FLUSH MOUNT
- BASE MATERIAL: POLYCARBONATE
- LENS MATERIAL: POLYCARBONATE

FGS PRODUCT CHART			
FGS. NO.	COLOUR	CURRENT (PEAK) A	POWER (MAX) W
EB8970A	AMBER	2.30	29.4

NOTES:
1. DIMENSIONS IN MILLIMETERS

SCALE 1:4		APPROVALS	DATE
CAD GENERATED DRAWING DO NOT MANUALLY UPDATE.		DRAWN BY: DJC	2024-11-27
TOLERANCES ARE IN INCHES, AND MILLIMETERS TOLERANCES UNLESS OTHERWISE STATED ARE:		CHECKED	
MILLIMETERS DECIMALS XX. ± 1.0mm XX.X ± 0.5mm		MECH. ENG.	
INCHES DECIMALS X.X ± 0.1 X.XX ± 0.04 X.XXX ± 0.02		ELEC. ENG.	
ANGLES ± 0.5°		TEST ENG.	
FRACTIONS ± 1/64		SALES	
THIRD ANGLE PROJECTION		 ECCO ® www.eccolink.com Americas (800) 635-5900 Europe +44 (0)113 237 5340 Asia Pacific +61 (0)3 63322444	
		LED BEACON 3BOLT 10-30VDC 170MM	
		CUSTOMER PART NO. SEE CHART	
		SIZE: A4	DWG. NO. EB8970X
		Project: HB0015	Date Created: 2024-11-27
		Electronically Controlled Use Latest Copy	SHEET 1 OF 1
			REV. B

PROPRIETARY AND CONFIDENTIAL INFORMATION
THIS DRAWING AND THE DESIGN AND OTHER INFORMATION DISCLOSED HEREIN ARE THE PROPERTY OF ELECTRONIC CONTROLS COMPANY AND/OR ITS ECCO SAFETY GROUP AFFILIATES ("ECCO") AND IS ISSUED IN CONFIDENCE TO RECIPIENT FOR ENGINEERING INFORMATION PURPOSES ONLY. THIS DRAWING AND THE DESIGN AND OTHER INFORMATION DISCLOSED HEREIN MAY NOT BE USED, COPIED, REPRODUCED OR OTHERWISE DISCLOSED IN PART OR IN WHOLE TO THIRD PARTIES OR USED FOR ANY OTHER PURPOSE WITHOUT PRIOR ECCO WRITTEN CONSENT. ECCO RESERVES ALL PATENT, COPYRIGHT, TRADEMARK, AND OTHER PROPRIETARY RIGHTS TO THIS DOCUMENT, INCLUDING ALL DESIGN, MANUFACTURING, REPRODUCTION, USE AND SALES RIGHTS THEREOF. THIS DRAWING IS SUBJECT TO RECALL BY ECCO AT ANY TIME, AND YOUR POSSESSION AND/OR USE CONSTITUTES ACCEPTANCE OF THESE TERMS. ©2024 ELECTRONIC CONTROLS COMPANY