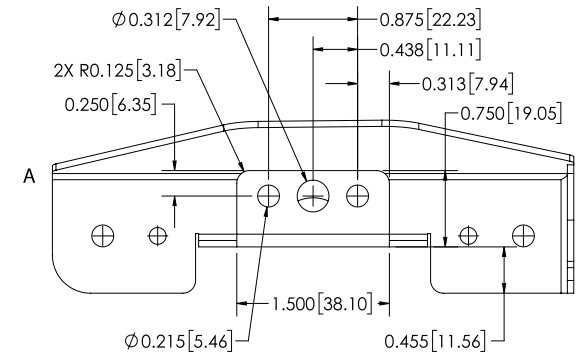
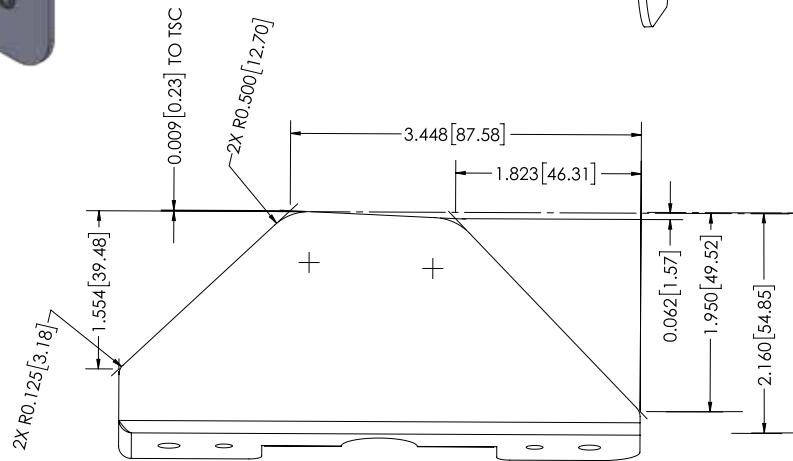
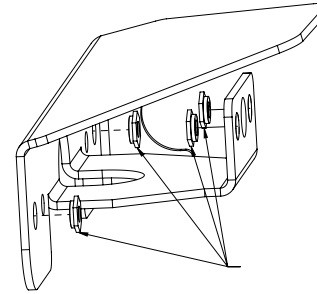
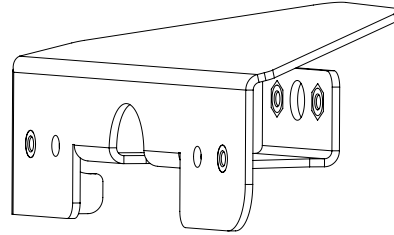
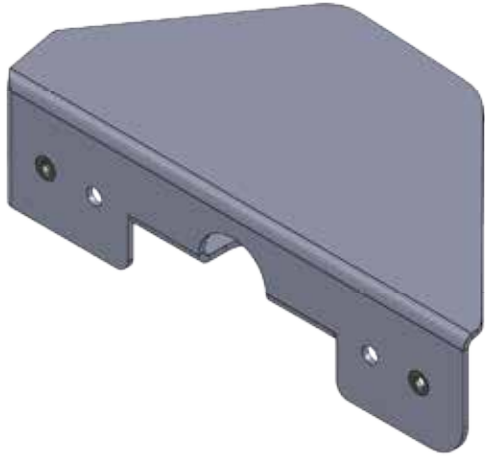


## 2015+ Ford PI Utility GRILL BRACKET



### SUPPORTED LIGHTHEADS



**MR6**



**M180**



**XT4**



**MEGA THIN**