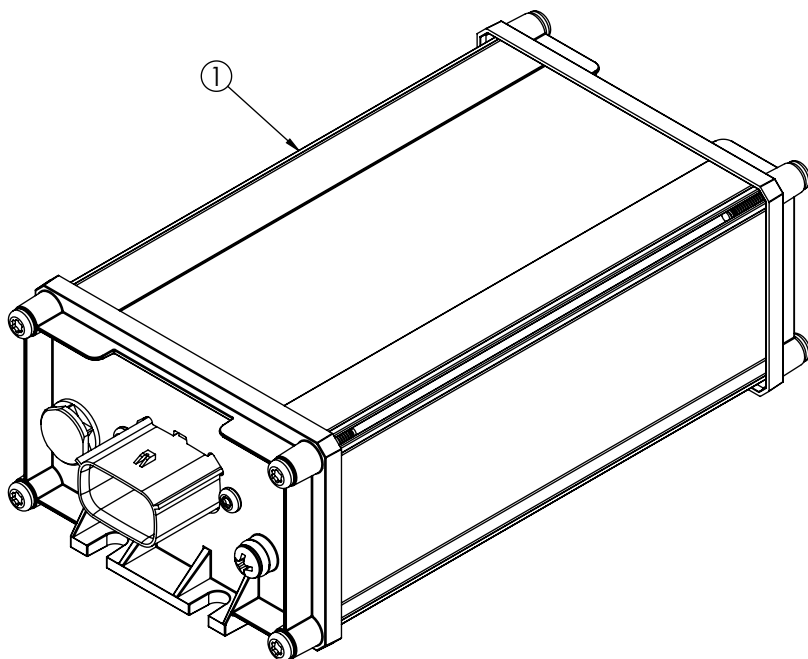


REVISION HISTORY		
REV.	DESCRIPTION	DATE
01	PRELIMINARY RELEASE PER EP0173	2022-03-23
A	INITIAL RELEASE PER EP0173	2022-04-04
B	REVISED PER EP0173	2025-06-30



ITEM NO.	QTY.	PART NUMBER	DESCRIPTION	COMMENTS
1	1	140-2346-00	ASSY,SUB,4955S,SERIAL,MOTORCYCLE,SIREN	
2	1	670-0464-00	ASSY,WIRE,EXTERNALHARNES,3955HD	NOT SHOWN
3	1	905-3155-00	LABEL,PRODUCT,4955S	NOT SHOWN
4	1	920-0966-00	SHEET,INSTRUCTION,4955S	NOT SHOWN
5	1	955-0350-00	BOX,CORRUGATED,3955,SIREN	NOT SHOWN
6	2	970-0122-00	INSERT,FOAM,END,4955S	NOT SHOWN

APPROVALS		DATE
DRAWN BY	BTK	2025-06-25
CHECKED	MDH	2025-06-26
MECH. ENG.	JLA	2025-06-25
ELEC. ENG.		
MFG. ENG.	ADJ	2025-06-26



United States
1-800-635-5900
Americas@eccogroup.com

United Kingdom
+44 (0)113 237 5340
Europe@eccogroup.com

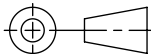
Australia
+61 (0)3 63322444
AsiaPacific@eccogroup.com

4955 SERIAL MOTORCYCLE SIREN

SIZE: A	DWG. NO. 100-4955S	REV. B
SHEET 1 OF 1		Project: EP0173
Electronically Controlled Use Latest Copy		Date Created: 2022-03-23

PROPRIETARY AND CONFIDENTIAL INFORMATION

THIS DRAWING AND THE DESIGN AND OTHER INFORMATION DISCLOSED HEREIN ARE THE PROPERTY OF ELECTRONIC CONTROLS COMPANY AND/OR ITS ECCO SAFETY GROUP AFFILIATES ("ESG") AND IS ISSUED IN CONFIDENCE TO RECIPIENT FOR ENGINEERING INFORMATION PURPOSES ONLY. THIS DRAWING AND THE DESIGN AND OTHER INFORMATION DISCLOSED HEREIN MAY NOT BE USED, COPIED, REPRODUCED OR OTHERWISE DISCLOSED IN PART OR IN WHOLE TO THIRD PARTIES OR USED FOR ANY OTHER PURPOSE WITHOUT PRIOR ESG WRITTEN CONSENT. ESG RESERVES ALL PATENT, COPYRIGHT, TRADEMARK AND OTHER PROPRIETARY RIGHTS TO THIS DOCUMENT, INCLUDING ALL DESIGN, MANUFACTURING, REPRODUCTION, USE AND SALES RIGHTS THERETO. THIS DRAWING IS SUBJECT TO RECALL BY ESG AT ANY TIME AND YOUR POSSESSION AND/OR USE CONSTITUTES ACCEPTANCE OF THESE TERMS.
©2022 ELECTRONIC CONTROLS COMPANY



SCALE 1:2

CAD GENERATED DRAWING
DO NOT MANUALLY UPDATE.