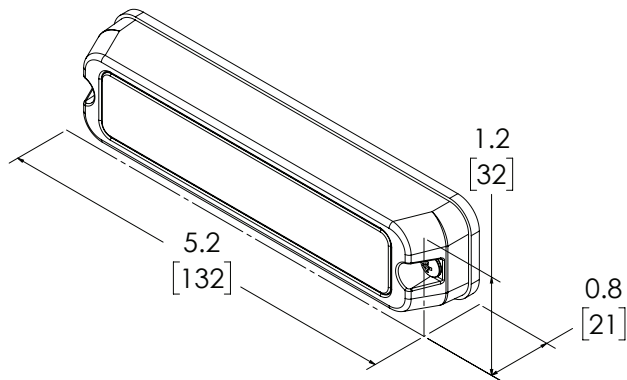


MR6 SERIES MULTI-MOUNT



The MR6 delivers exceptional straight-on and off-angle performance with its total internal reflector (TIR) or linear optics technology. Mount it flush on the vehicle's surface, bonnet, boot or virtually anywhere. It is available in single and dual-colour LED configurations with 3 colour options. Features include a water-resistant design and phase syncing capability.



Measurements in inches (millimetres)

VOLTS AMPS	12-24V 0.9A (Single), 1.25A (Dual)
DIMS	1.2" H x 5.2" L x 0.8" D 32mm H x 132mm L x 20mm D
MOUNTING HOLE SPACING	4.74" 121mm
FLASH PATTERNS	29 Single, 69 Dual
CERTS	R65 (excludes split), R10, IP67
DETAILS	<ul style="list-style-type: none"> Single- or split-colour models have Total Internal Reflector (TIR) optic LEDs Dual-colour models have linear optic LEDs 6 LED single colour, 12 LED dual-colour Multiple flash patterns with phase 1 and phase 2 syncing capabilities Black powder coated metal housing
REPLACE	"_" with B = Blue, R = Red, W = White

MODEL	TYPE	ILLUMINATION COLOURS
MR6-__	Single	B, R, W
MR6MC-__	Dual	BW, RB

+44 (0)113 237 5340 | sales@eccogroup.com