



CM8560CRB

MINIBAR



Get all the advantages of LED technology in the popular Blaze II design. This great value double flash LED Blaze II features 6 powerful ULT heads per module, with a super fast flash for maximum visibility. Combining the solid state, maintenance free and long life nature of LED technology with a proven tough housing design, this Blaze II minibar is designed to maximise resilience to excessive vibration and increase the life of the product.

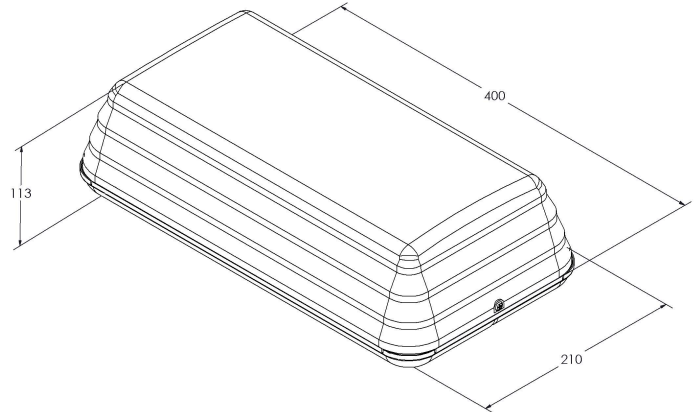
Features

- 6 ULT Modules
- Low profile design
- Free-form optical reflector maximises output

Model

MODEL	COLOUR	FLASH PATTERNS	NO. OF LEDs
CM8560CRB		3	6

Dimensions



Wiring

Function	Wire Colour	Wire Size (mm ²)	Wire Size (awg)	12V		24V	
				Current (peak)	Current (awg)	Current (peak)	Current (awg)
Ground	Black	1	16	-	-	-	-
Positive	Red	1	16	6.0A	2.3A	3.1A	1.1A

Wire sizes shown here are the minimum required cross sectional area. Unused wires should be left unconnected and insulated.