

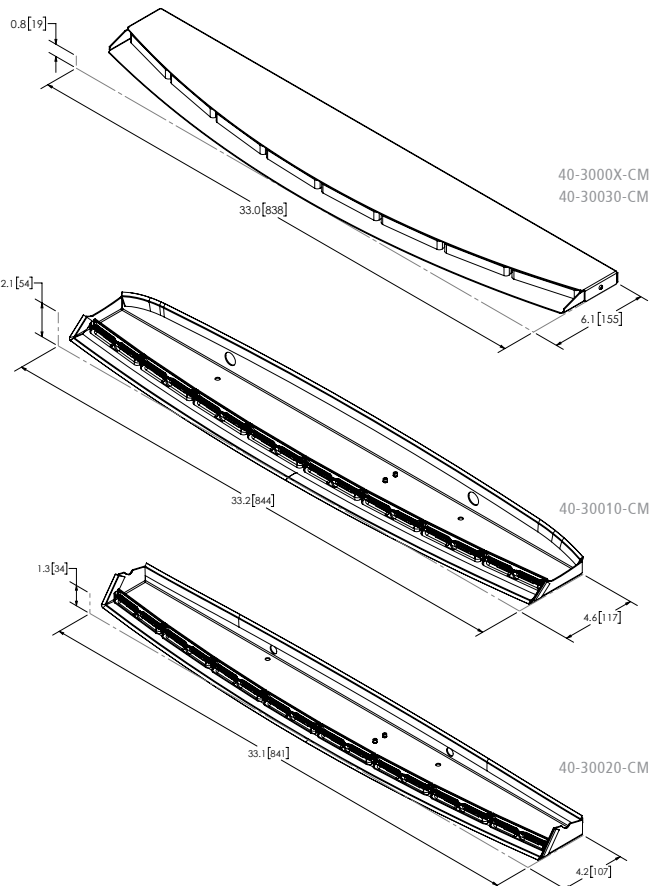
THIN WINGMAN™ - MATRIX® ENABLED REAR WINDOW MOUNTED INTERIOR LIGHT






40-30002-CM

The Thin WingMan™ Matrix® is powered by time-tested LED lighthead and features custom-shaped housing to fit tightly in the rear window of a PIU, Tahoe, or Durango. The compact design removes flash-back allowing the driver to stay focused and attentive. When the unit is inactive, it is virtually undetectable from outside of the vehicle. The tri-color LED lighthead can be customized with the Matrix software to produce an unlimited amount of flash patterns that can be synchronized across vehicles. Each unit comes with a simple to install CAT5 cable and power/ground cable, and a five-year warranty.

VOLTS AMPS	12-24V 6.8A
DIMS	Dimensions vary based on model number
FLASH PATTERNS	Unlimited
CERTS	CLASS I (SAE J595), CA T13 (excludes B)
DETAILS	<ul style="list-style-type: none"> • Dual- or tri-color lighthead • Minimal flashback • No drilling required for mounting • Contoured for installation against the rear interior windshield • Compact size is ideal for covert applications • Flash patterns synchronize with the rest of the vehicle



MODEL	VEHICLE BRACKET	VEHICLE TYPE	ILLUMINATION COLORS
40-30001-CM	Order Separately	Universal	AW
40-30002-CM	Order Separately	Universal	RB
40-30003-CM	Order Separately	Universal	BA
40-30004-CM	Order Separately	Universal	RW driver side / BW passenger side
40-30005-CM	Order Separately	Universal	BAW
40-30006-CM	Order Separately	Universal	RAW
40-30007-CM	Order Separately	Universal	RBA
40-30008-CM	Order Separately	Universal	RBW
40-30010-CM	Included	PIU 20+	RBA
40-30020-CM	Included	Tahoe 21+	RBA
40-30030-CM	Included	Durango 15+	RBA
40-30050-CM	Included	Blazer EV 24+	RBA

	GASKET
CZ4103	Thin WingMan Matrix
	MOUNTING BRACKET
TWMTG-CH15	2015+ Charger
	MOUNTING BRACKET
TWMTG-UNIV	Universal