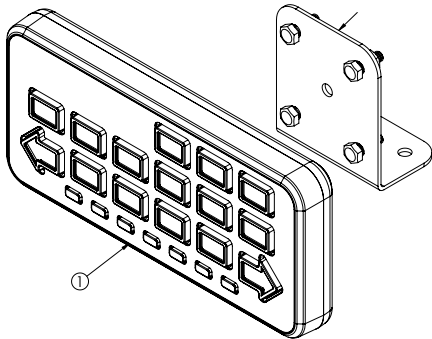


CZ0000 UNIVERSAL CONTROLLER



The Code 3 Universal Controller is designed to control Code 3 lightbars, relays and other products that utilize a low-power activation signal. The 15-button backlit controller is equipped with LED indicator lights to emulate Arrowstik® functionality and supports lightbar cut functions. Applications include police, fire, EMS or any other emergency vehicle application. Available in permanent or VHB mounting options.



DETAILS

- Compatible with 12+ Pro, Pursuit, 16 Series, and 27 Series lightbars
- 15 backlit buttons support a wide array of functions
- Legend with 76 button inserts to customize controller layout
- LED indicator lights to operate Arrowstik® functionality
- Discrete low-amp output wires
- 36" cable
- Permanent or VHB mounting option
- 12 VDC

MODEL	DESCRIPTION
CZ0000	Lightbar Controller

BUTTON INSERTS

ALL	FRONT	REAR	LEFT	CENTER	RIGHT	SIDE	RED	BLUE	AMBER	RIGHT
WHITE	GREEN	AMBER WARN	FLASHING WHITE	WHITE BURST	DAY	NIGHT	K9	K9 DOME	K9 FAN	LEFT
FAN	PUMP PANEL	INVERTER	MAIN	OVER-RIDE	PARK KILL	INTER SECTION	BLACK OUT	DIM	WIG WAG	→
GUN	GUN LOCK	GL	360	FLOOD	CITADEL	COM-MAND	D-PILLARS	LIGHT-BAR	OUT-LINERS	←
STIK LIGHT	SUPER-VISOR	WING-MAN	BACK LIGHT	BEACON	BRAKE	COMPART-MENT	DECK	EMTTR	GRILL	↔
GROUND LIGHTS	PRISONER LIGHT	PUDDLE LIGHTS	SPOT	STBY	TAIL	TAKE DOWN	TRUNK	WORK LIGHTS	CRUISE LIGHTS	↔
FRONT FOG	REAR FOG	ALLEYS	LA	RA	LEFT ALLEY	RIGHT ALLEY	ARROWS	LEFT ARROW	RIGHT ARROW	↔

CRUISE	CRUISE A	CRUISE B	FULL CRUISE	FRONT CUT	REAR CUT	LEFT CUT	RIGHT CUT	DOME	FRONT DOME	RIGHT
REAR DOME	FLASH	HLF	TLF	FRONT FLASH	REAR FLASH	SIDE FLASH	TAIL FLASH	CA STEADY	STEADY BURN	LEFT
FLOOD	FLOOD BAR	FRONT FLOOD	REAR FLOOD	LEFT FLOOD	RIGHT FLOOD	FRONT SCENE	REAR SCENE	CAM	CMD ALERT	→
EVAC	HANDS FREE	MANU AL	BACKUP ALARM	BNSHE	RAD	RRB	SIREN	SIR1	SIR2	←
SIR3	AIR HORN	ALT TONE	AUX TONE	AUX	AUX 1	AUX 2	AUX 3	AUX 4	DUAL TONE	↔
HI-LO	LEV1	LEV2	LEV3	LOW FREQ	WAIL	YELP	VIDEO	VOICE MSG	VOICE MSG 1	↔
VOICE MSG 2	VOICE MSG 3	VOICE MSG 4	VOICE MSG 5	🔊	☀️	📶	🏠	📺	📺	↔

↔	←	→	A	B	C	D	E	F	G	RIGHT
H	I	J	K	L	M	N	O	1	2	LEFT
3	4	5	6	7	8	9	10	11	12	→
13	14	15								←
										↔
										↔