



BEACONS



EB6362 SERIES Industrial Application

The EB6362 Series LED beacon delivers bright, reliable warning performance in a compact design suited for demanding industrial environments. Engineered for flexibility, these offer 2 bolt or 1/2" pipe mounting options that support a wide range of equipment and installation needs. Their efficient LED technology provides maintenance-free operation with long service life and low amp draw. SAE Class III warning paired with a 12-80 volt range make these ideal for electric vehicles and material-handling fleets. With rugged construction and consistent visibility, the EB6362 Series offers a dependable safety solution for industrial applications.

Models

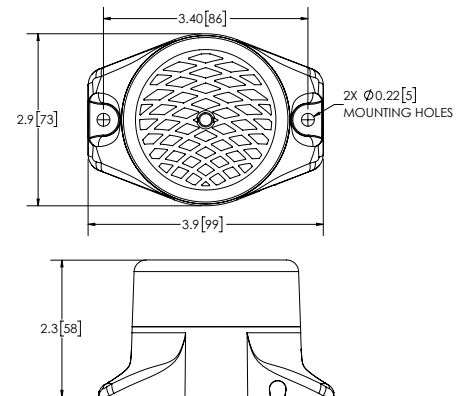
PART NO.	MOUNT	LENS COLOR OPTIONS	LED COLOR
EB6362X	2 Bolt	<input type="checkbox"/> A <input type="checkbox"/> B <input type="checkbox"/> G <input type="checkbox"/> R <input type="checkbox"/> W	<input type="checkbox"/> W
EB6367X	1/2" Pipe	<input type="checkbox"/> A <input type="checkbox"/> B <input type="checkbox"/> G <input type="checkbox"/> R <input type="checkbox"/> W	<input type="checkbox"/> W

Replace "X" in part number with desired color: A = amber, B = blue, G = green, R = red, W = white

Design Features

- 12-80 VDC, 0.61 Amps
- Pulse8 flash operation, 8 flashes per cycle (80FPM)
- Polycarbonate lens
- Reverse polarity, voltage spike and surge protected
- Temperature Range: -40°F to +149°F (-40°C to + 65°C)

EB6362



EB6367

