

E-FX[®]

FIRES



INSTALLATION, PRECAUTIONS & SERVICING



E-FX SL & E-FX SL Lite

IMPORTANT INFORMATION

- Please bear in mind the weight of the fire before removing from the packaging and installation.
- Consider if help is required.
- Carefully remove the fire from the packaging, making sure that the power cable and heater have not been damaged during transport.
- **DO NOT** operate the fire if damaged.
- The accessories are found in a box that is packed at the side of the fire.
- Always read this manual first before attempting to install or use and keep in a safe place.
- Your fire is guaranteed for three years from the date of purchase.

 **SAVE THESE INSTRUCTIONS**

CONTENTS

Important Information.....	4
UKCA & CE Declarations.....	7
ETL Declarations.....	8
Technical Specifications.....	9
Required Tools.....	10
What's In The Box.....	11
Before You Start.....	12
Flat Wall Installation.....	13
Rear Screen Options.....	17
Hardwire Installation.....	19
Front Glass Installation.....	25
Informational Requirements.....	27
Maintenance & Cleaning.....	28
Trouble Shooting.....	29
Wiring Diagram.....	31
Parts List.....	32
Exploded Diagram.....	33
Notes.....	34

IMPORTANT INSTRUCTIONS

IMPORTANT

REGISTRATION NO WEE/DH1656ZW

- In accordance with European Directive 2012/19/ EU, waste electrical and electronic equipment (WEEE) must not be disposed of with household waste.
- Please recycle responsibly.



DETAILS

- Read all the instructions before installing or using this heater.
- **WARNING:** In order to avoid overheating, do not cover the heater.
- For indoor use only.
- **DO NOT** use the fire in the vicinity of a bath, shower or swimming pool.
- **NEVER** use the fire to dry laundry.
- The heater must not be located immediately below a socket outlet.
- The use of an extension lead is **NOT** recommended.
- This appliance can be used by children aged from 8 years and above and persons with reduced physical, sensory or mental capabilities or lack of experience and knowledge if they have been given supervision or instruction concerning use of the appliance in a safe way and understand the hazards involved.
- Children shall **NOT** play with the appliance.

IMPORTANT INSTRUCTIONS

- Cleaning and user maintenance shall **NOT** be made by children without supervision.
- Children of less than 3 years should be kept away unless continuously supervised.
- Children aged from 3 years and less than 8 years shall only switch on/off the appliance provided that it has been placed or installed in its intended normal operating position and they have been given supervision or instruction concerning use of the appliance in a safe way and understand the hazards involved.
- Children aged from 3 years and less than 8 years shall not plug in, regulate and clean the appliance or perform user maintenance.
- Some parts of this product can become very hot and cause burns. Particular attention must be given where children and vulnerable people are present.
- The heater is hot when in use. To avoid burns, do not let bare skin touch hot surfaces. Keep combustible materials, such as furniture, pillows, bedding, paper, clothes, etc. and curtains at least 3 feet (0.9m) from the front of the heater and keep them away from the sides and rear (sides and rear restrictions apply to location dedicated heaters only).
- Extreme caution is necessary when any heater is used by or near children or invalids and whenever the heater is left operating and unattended.
- Do not operate any heater after it malfunctions. Disconnect power at service panel and have heater inspected by a reputable electrician before reusing.
- Do not use outdoors.
- To disconnect heater, turn controls to off and turn off power to heater circuit at min disconnect panel.
- Do not insert or allow foreign objects to enter any ventilation or exhaust opening as this may cause an electric shock or fire, or damage to the heater.
- To prevent a possible fire, do not block air intakes or exhaust in any manner.
- A heater has hot and arcing or sparking parts inside. Do not use it in areas where gasoline, paint, or flammable vapors or liquids are used or stored.
- Use this heater only as directed in this manual. Any other use not recommended by the manufacture may cause fire, electric shock, or injury to persons.

IMPORTANT INSTRUCTIONS



CAUTION
CAUTION
RISK OF ELECTRIC SHOCK
DO NOT OPEN
NO USER-SERVICEABLE PARTS INSIDE



- The heater must be properly installed before it is used.
- Caution should be applied to ensure that children **DO NOT** play with the fuel effects.
- As with any electrical appliance whilst the instructions aim to cover as many eventualities as possible, caution and common sense should be applied when operating your appliance, particularly in the vicinity of small children.
- **CAUTION:** The heater is fitted with an automatic cut out to prevent any damage due to overheating. The element will

continually and automatically cut out if the airflow is obstructed. Never cover the air outlets. To reset, switch the fire off, disconnect from the mains supply, remove the cause of the overheating. Allow to cool for a suitable period then switch the fire back on.

- **CAUTION:** In order to avoid a hazard due to inadvertent resetting of the thermal cut out, the appliance must not be supplied through an external switching device, such as a timer, or connected to a circuit regularly switched on and off by a utility.
- Save these instructions.

UKCA & CE DECLARATIONS

TRADE NAME	RATINGS	PRODUCT TYPE	MANUFACTURED BY
E-FX	220-240 Vac, 50Hz Class I	Electric Fire (fan heater)	Flamerite Fires LTD. Greenhough Road, Lichfield. Staffs. WS13 7AU. United Kingdom.
REQUIREMENTS:			
BS-EN 60335-2-30:2009 + A11:2012			
BS-EN 60335-1:2012 + A11:2014 + A13:2017 + A1:2019 + A14:2019 + A2:2019			
BS-EN 55014-1:2017		BS-EN IEC 6300 :2018	
BS-EN 55014-2:2015		BS-EN 301 489-1	
BS-EN61000-3-2:2014		BS-EN 300 489-3	
BS-EN 61000-3-3:2013		BS-EN 300 220	
BS-EN 50564:2011		BS-EN 60675:1995+A11:2019	

TRADE NAME	RATINGS	PRODUCT TYPE	MANUFACTURED BY
E-FX	220-240 Vac, 50Hz Class I	Electric Fire (fan heater)	Flamerite Fires LTD. Greenhough Road, Lichfield. Staffs. WS13 7AU. United Kingdom.
REQUIREMENTS:			
EN 60335-2-30:2009 + A11:2012			
EN 60335-1:2012 + A11:2014 + A13:2017 + A1:2019 + A14:2019 + A2:2019			
EN 55014-1:2017		EN IEC 6300 :2018	
EN 55014-2:2015		EN 301 489-1	
EN61000-3-2:2014		EN 300 489-3	
EN 61000-3-3:2013		EN 300 220	
EN 50564:2011		EN 60675:1995+A11:2019	

ETL DECLARATIONS

TRADE NAME	RATINGS	PRODUCT TYPE	MANUFACTURED BY
E-FX	120 Vac, 60Hz Class I	Electric Fire (fan heater)	Flamerite Fires LTD. Greenhough Road, Lichfield. Staffs. WS13 7AU. United Kingdom.
REQUIREMENTS:			
UL 2021 & CAN/CSA E60335-2-30			
CERTIFICATE NUMBER			
FFID	2AC7Z-ESP32WVROOM3		

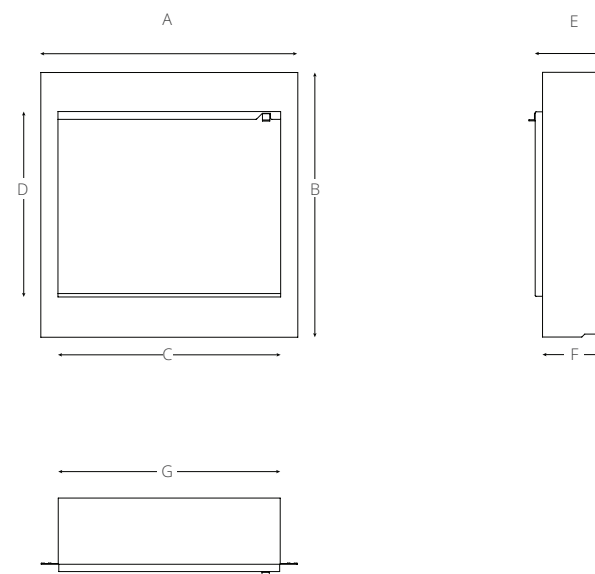
DETAILS

- A 120V 15A 60Hz or 240V 13A 50Hz supply is required.
- Maximum Power Consumption: 1500 Watts
- A 1.8 metre lead with plug is supplied with this appliance
- There must be enough clearance for the fire to comfortably fit inside or against a wall.
- **DO NOT** squeeze into an opening as this may deform the case and stop the glass from moving correctly.
- The fire must be well supported in or on any structure. Never secure to just plaster board alone.
- A wall support or lintel should be fitted at the required height to ensure the appliance does not support the weight of the finished wall or chimney breast.

WARNING

DO NOT twist, force or squeeze the fire during the installation process.

TECHNICAL SPECIFICATIONS



E-FX MODEL					
	E-FX SL600 - 24"	E-FX SL750S - 30S"	E-FX SL750T - 30T"	E-FX SL1000 - 40"	
DIMENSIONS	A	700mm / 27 9/16	850mm / 33 7/16	850mm / 33 7/16	1100mm / 43 5/16
	B	721mm / 28 3/8	631mm / 24 13/16	876mm / 31 1/2	572mm / 22 1/2
	C	605mm / 23 13/16	755 mm / 29 3/4	755 mm / 29 3/4	1005mm / 39 9/16
	D	502mm / 19 3/4	413mm / 16 1/4	658mm / 25 15/16	353mm / 13 7/8
	E	201mm / 7 15/16	201mm / 7 15/16	201mm / 7 15/16	201mm / 7 15/16
	F	178mm / 7	178mm / 7	178mm / 7	178mm / 7
	G	607mm / 23 7/8	756mm / 29 3/4	756mm / 29 3/4	1006mm / 39 5/8

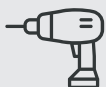
REQUIRED TOOLS



HEX KEY



HAMMER &
SCREWDRIVER



DRILL &
DRILL BITS



TAPE MEASURE



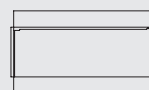
PENCIL



SPIRIT LEVEL

WHAT'S IN THE BOX...

01



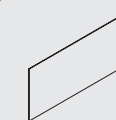
E-FX FIRE

02



LOG SET

03



FRONT GLASS

04



ACCESSORY &
HARDWARE PACK

05



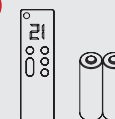
INSTRUCTIONS &
WARRANTY CARDS

06



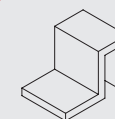
POWER LEAD

07



REMOTE &
BATTERIES

08



GLASS HANDLE

09



FIXING PACK

BEFORE YOU START...

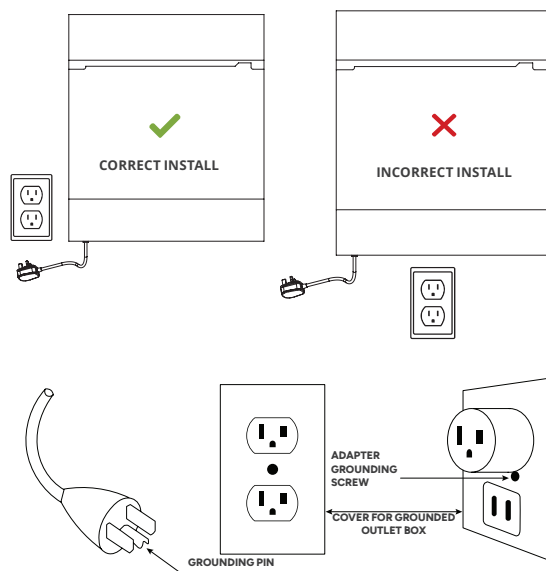
PLUG SOCKETS & WALL CONSTRUCTION

All fires must have an accessible plug. Do not fit a fire above a socket. Building regulations require the socket to be located at the side of the unit. It is preferable to fit the fire to a fused spur for safety. This ensures it has its own supply and will not overload current installations and the power can be turned off when required

IMPORTANT

Please speak with a qualified expert before undertaking any work, and if required, ask them to carry out the installation for you. Due to the nature of this product, precautions to fireproof the wall should be taken according to local legislations. Make sure airflow is allowed around the fire by leaving at least 5mm of room around all sides of the fire.

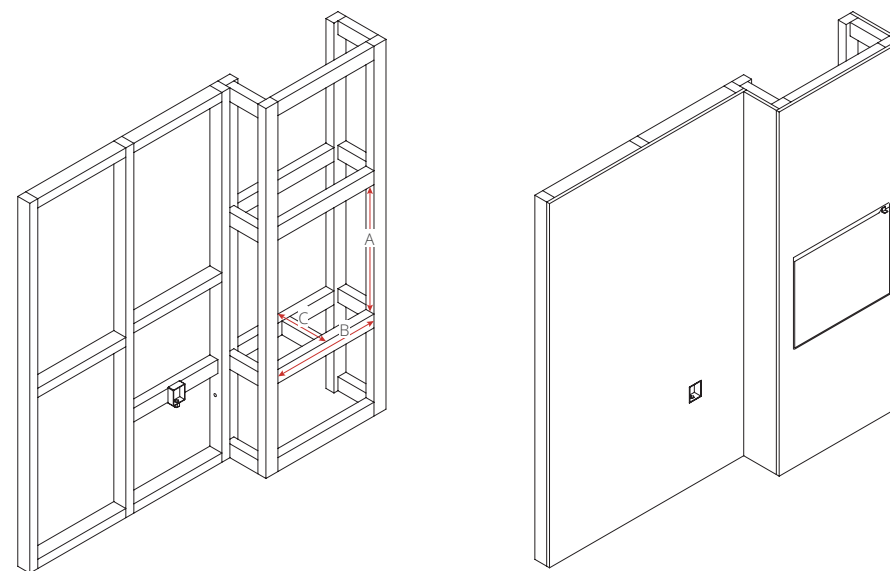
The cord has a plug as shown in Figure A. An adapter shown at B is available for connecting three-blade grounding type plugs in two slot receptacles. The green grounding lug extending from the adapter must be connected to a permanent ground such as a properly grounded outlet box. The adapter should not be used if a three-slot grounded receptacle is available.



FLAT WALL INSTALLATION

01

Start by building the framework for the wall. The sizes are listed in the table below for your fire. We recommend installing the fused spur at this stage, in the position shown below, so power to the fire is easily accessible. You can choose the height your fire is fitted to the wall, but take any local building regulations into account.

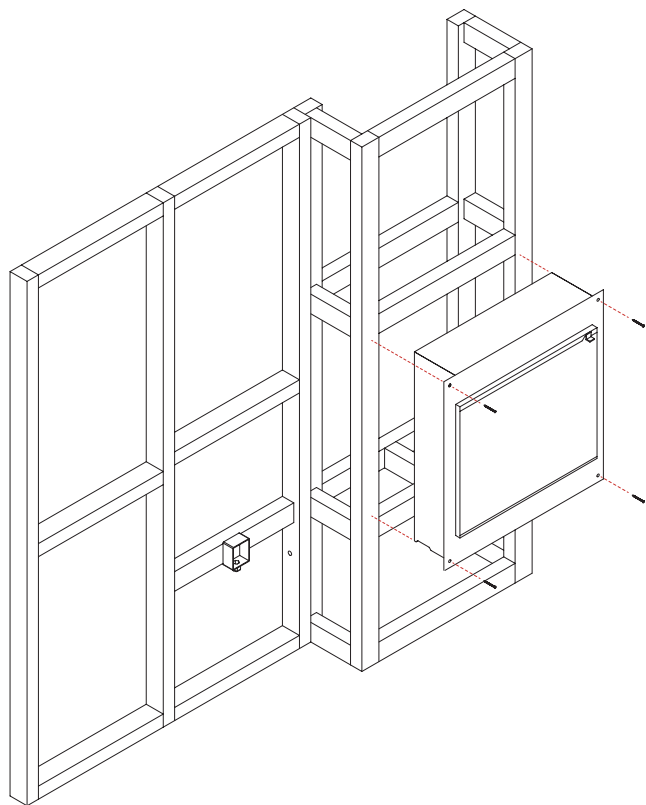


E-FX MODEL					
		E-FX SL600 - 24"	E-FX SL750S - 30S"	E-FX SL750T - 30T"	E-FX SL1000 - 40"
DIMENSIONS	A	725mm / 28 9/16	635mm / 25	880mm / 34 5/8	575mm / 22 5/8
	B	610mm / 28 3/8	760mm / 29 15/16	760mm / 29 15/16	1010mm / 39 3/4
	C	180mm / 7 1/16	180mm / 7 1/16	180mm / 7 1/16	180mm / 7 1/16

FLAT WALL INSTALLATION

02

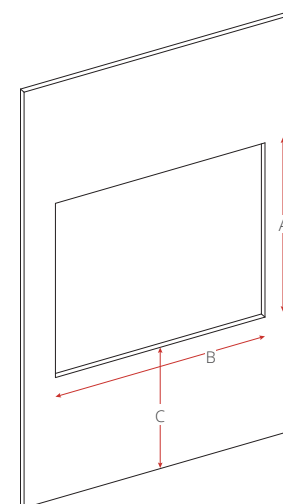
Now the framework and sockets are installed, you can fix your fire to the frame. Be sure you plug anything in before you start to add any panel work. Fix the fire to the framework using the correct fixings. If you are fixing to a timber frame, use the gold 2" screws that come in the fixing pack, found in the accessory pack. Be sure to use suitable fixings for the material you are fixing to.



FLAT WALL INSTALLATION

03

Now the fire is installed, you can fix the panels the wall. Make sure everything is working before you do this step, so that any issues can be sorted before plastering or any finishing takes place. The height from the floor will depend on the install height. See the below table for cut-outs for the front panel. Be sure to double check all dimensions against the actual fire to get the most accurate cut-out you can.

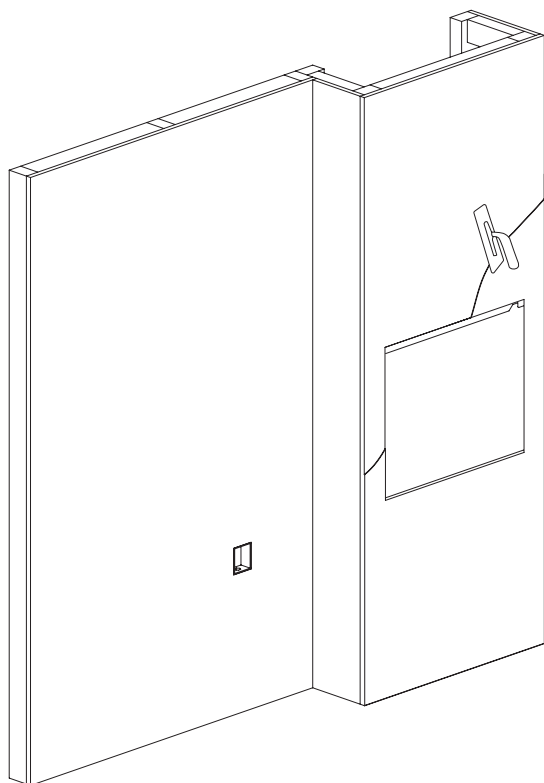


E-FX MODEL				
	E-FX SL600 - 24"	E-FX SL750S - 30S"	E-FX SL750T - 30T"	E-FX SL1000 - 40"
DIMENSIONS				
A	725mm / 28 9/16	635mm / 25	880mm / 34 5/8	575mm / 22 5/8
B	610mm / 28 3/8	760mm / 29 15/16	760mm / 29 15/16	1010mm / 39 3/4
C	Variable	Variable	Variable	Variable

FLAT WALL INSTALLATION

04

Screw the panelling to the framework and make sure everything lines up and is working. We recommend using 15-18mm finishing boards. This is so you can apply any finishes such as plaster coatings or decorative panelling.



REAR SCREEN OPTIONS

STANDARD E-FX

As standard one of the two rear screens in the E-FX fire has a reflective coating to mirror the log effect. When the fire is on, the flame simulates a 3 dimensional burn between the actual log effect and the reflection generated by the coating. If your preference is non-reflective, the glass with the reflective coating can be removed leaving only the projection screen in place. This is for E-FX fire only.

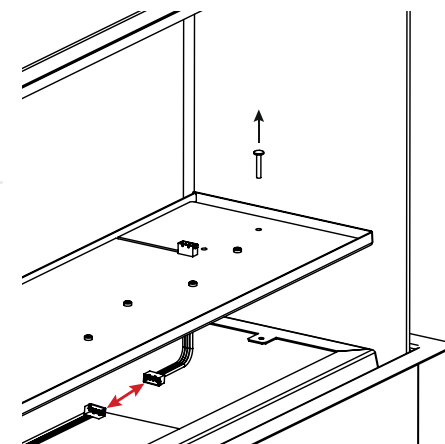
WARNING

Before any maintenance is undertaken, always disconnect the fire from the mains power supply.

NON REFLECTIVE SCREEN OPTION

01

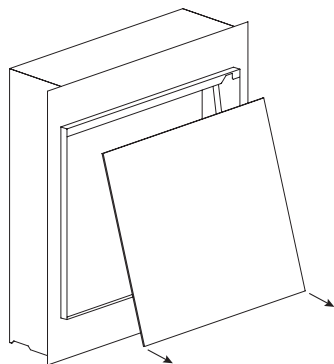
To remove the reflective rear glass, remove the fuel bed by removing the two screws at either side of the fuel bed. Gently lift the right side, you will need to disconnect a cable from the fuel bed to the circuit board below the connector marked "A" on the top of the fuel bed. Once this is done, you may now carefully remove the fuel bed.



REAR SCREEN OPTIONS

02

Using the glass sucker provided, remove the rear glass. Leave the projection screen in place. You can then reconnect the fuelbed and screw it back into place.



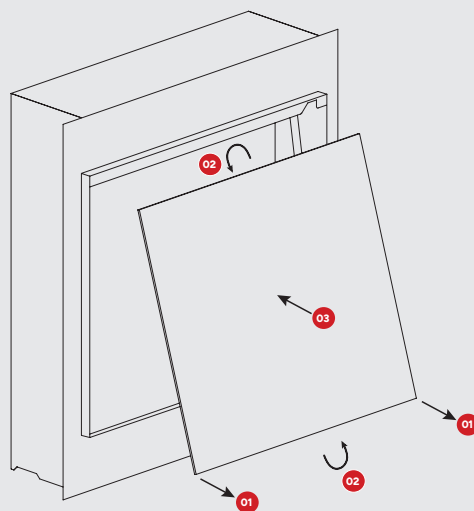
E-FX LITE

NON REFLECTIVE SCREEN OPTION

01

For E-FX Lite Fires, you can make the screen non reflective by removing the fuel bed and flipping the rear screen.

Once the screen has been flipped, refit the screen and fuel bed, making sure to reconnect it before screwing it back in.



HARDWIRE INSTALLATION

WARNING!

Before any wiring work is undertaken, make sure the power for the socket has been turned off at the fuse box and check that the power is off. Make sure the unit is disconnected from any power source. Ensure proper safety precautions are taken before attempting any work.



This should only be carried out by a competent person who has the knowledge to complete the task. If you have a hardwire ready fire, you will need to wire the fire into a **SWITCHED FUSED SPUR**.

Bring the cable out as close to you can as the fire, ensuring it will not be in the way of any woodwork, suites, or walls being built.

THE SOCKET CANNOT BE LOCATED BELOW THE FIRE. It must be located to the side of the fire. The fire should be fitted in the correct position to the wall before hard-wiring is completed, so minimal cable is exposed.

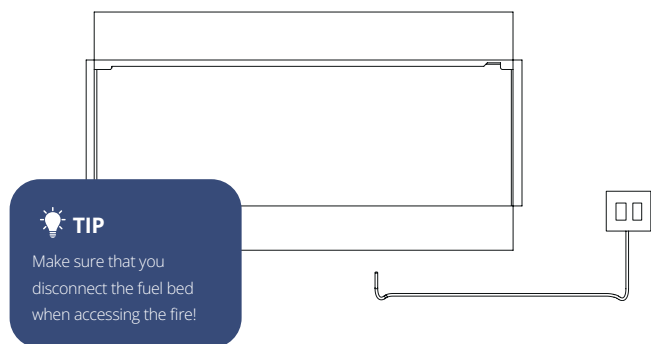
When the fire is fitted you can hardware the fire as per the following instructions. Ensure that the fused spur socket is located in the correct position so that it avoids any interference with any suites or woodwork.

If access is required to the fused spur, it is advised that the cable is hidden in the wall/cavity so there is no visible cable between the fire and the fused spur.

HARDWIRE INSTALLATION

01

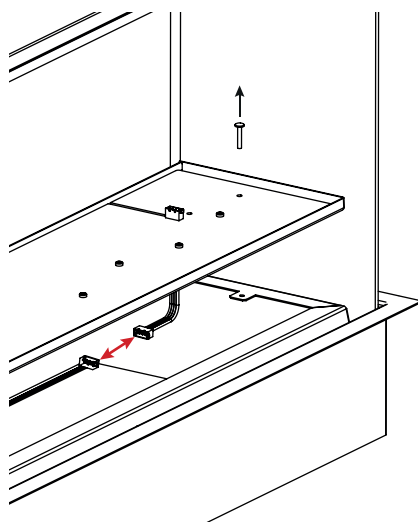
Fit the fused spur socket leaving enough power cable to get to the fire, leaving plenty of wire to trim back.



02

You will need to remove the fuel bed from the fire to hardwire the appliance. To do this, you will need to remove the 2 screws located at either side of the fire.

If you have a E-FX Lite fire, you will remove the log set, and the lighting panel found under the logs.



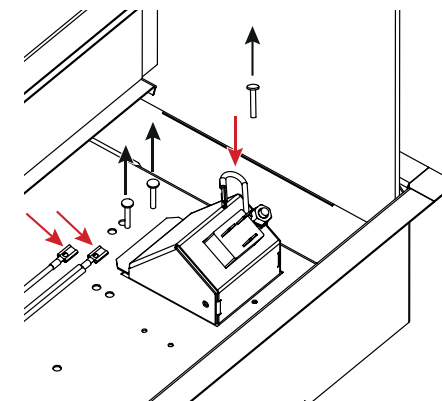
IMPORTANT

Be careful and disconnect the fuel bed from the fire using the connecting cable found under the fuel bed.

HARDWIRE INSTALLATION

03

Disconnect the current power bracket, found on the right inside the fire. Remove the terminals from the power inlet and unscrew the bracket from the fire.

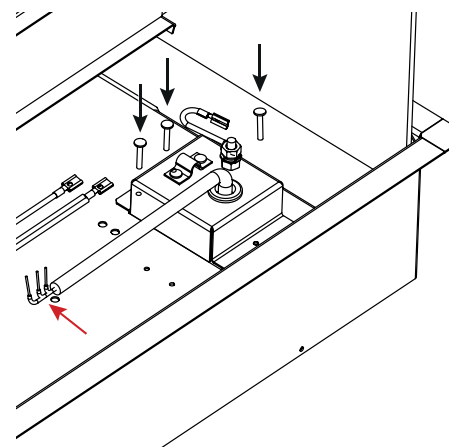


04

Fit the new hardwire bracket, found in the accessory pack by screwing it to the fire where the old bracket was removed.

IMPORTANT

Leave the earthing cable attached to the new bracket.



05

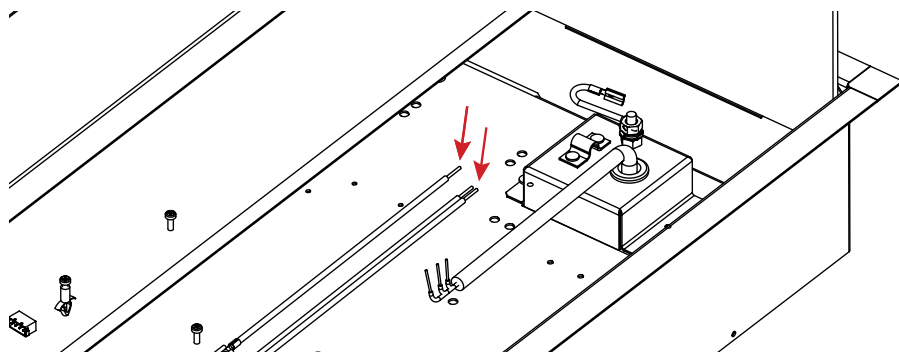
To connect the fire to the mains supply, feed the cable through the rubber grommet found on the new bracket.

Trim the power supply cables leaving 13mm of bare cable exposed to connect the fire to.

HARDWIRE INSTALLATION

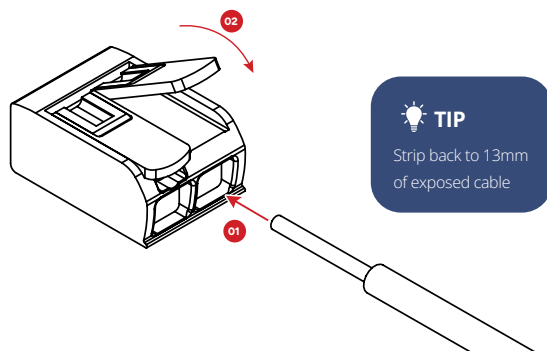
06

Now trim the fire power cables by removing the terminals and leave 13mm of cable exposed to connect the mains supply. The Neutral gray cable is a twin cable.



07

In the hardwire pack, there are 3 clear cable connectors. Place the connectors on the end of 3 cables from the mains cable, by lifting the orange levers and inserting the wire into one side of the connector, ensuring there is no bare cable showing.

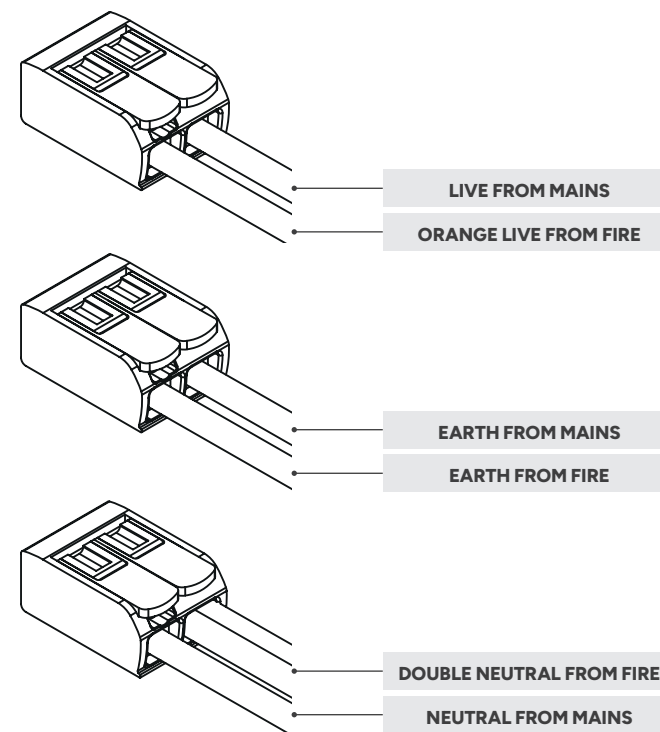


HARDWIRE INSTALLATION

08

Now the mains cables are connected, connect the fire by inserted the trimmed cables into the corresponding connector. The neutral is a double cable, and both should go into the same side of the connector, pictured below.

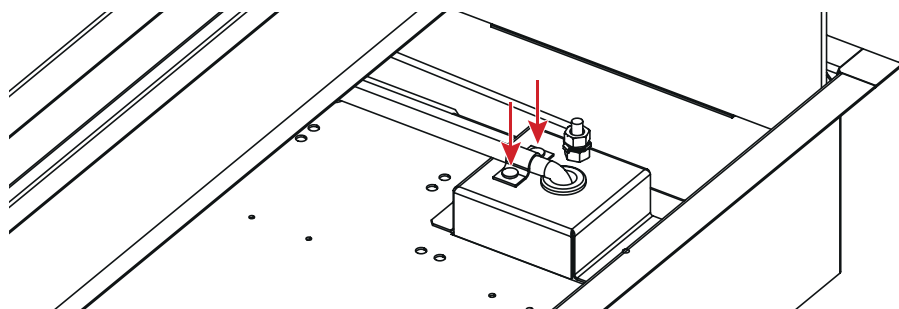
Make sure all the connectors are secure and do not come loose. Make sure you connect the earth cable from the mains, to the earth cable fitted to the new hardwire bracket.



HARDWIRE INSTALLATION

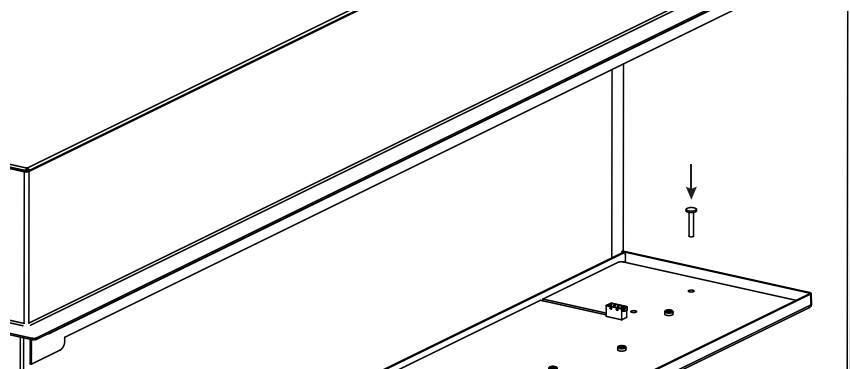
09

Before reinstalling the fuel bed, remove the cable clip from the hardwire bracket and use it to secure the mains cable in place. This will ensure that nothing can be disconnected if the cable is accidentally pulled, so make sure its on securely.



10

Finally, now everything is connected and secure, reconnect the fuel bed cable and screw the fuel bed back into position.

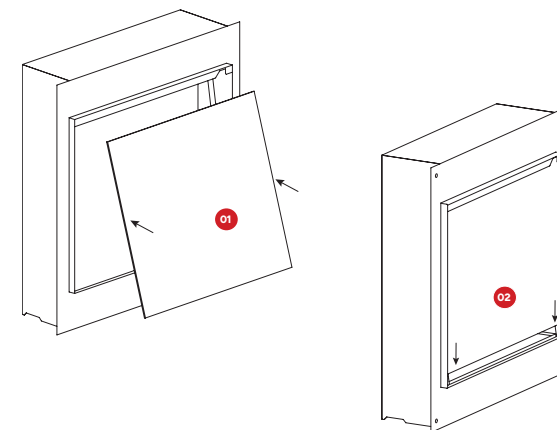


FRONT GLASS INSTALLATION

01

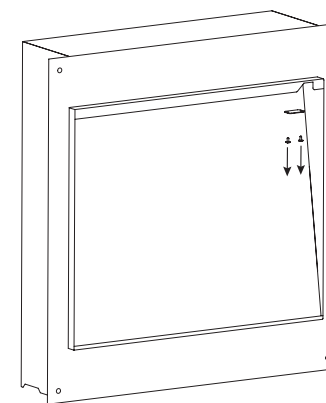
To install the front glass, first clean the glass with a soft clean cloth and make sure it is free from dust and residue.

Using the glass sucker provided, lift the front glass into position, making sure the bottom edge sits between the fuelbed and front lip.



02

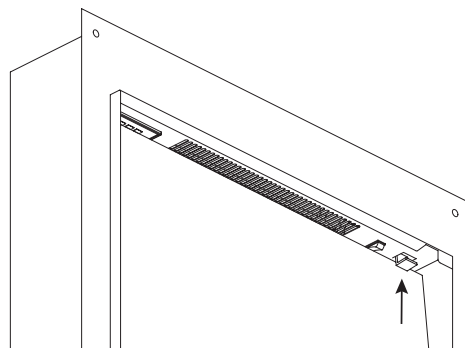
Push the glass back and using a screwdriver, remove the cover plate from the inside top right of the fire. The hole it reveals will allow you to fit the glass handle.



FRONT GLASS INSTALLATION

03

Using the glass suction cup, pull the glass forward slightly so you can fit the glass handle. You will need to slide the glass handle up into the hole, pulling the glass into position so it can slide down onto the glass.

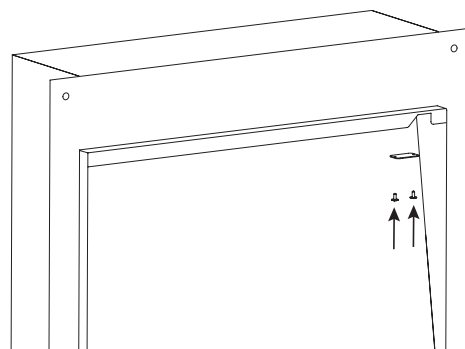


TIP

To prevent the handle from being loose, adjust the glass handle screw using a Hex Key before fitting it to the glass. The glass is 4mm thick.

04

Now the glass handle has been fitted, screw the cover plate back into position and give the glass a final polish.



TIP

If your glass is not sitting properly, check the bottom channel for debris and make sure it is clean and free to any dirt.

INFORMATIONAL REQUIREMENTS

E-FX SL

E-FX SL: INFORMATIONAL REQUIREMENTS FOR ELECTRIC LOCAL SPACE HEATERS						
MODEL		SL600 - 24"	SL750 S- 30"	SL750T - 30"	SL1000 - 40"	
Item @ 110V 60Hz or 240V 50Hz	Symbol	Value	Value	Value	Value	Unit
HEAT OUTPUT						
Nominal Heat Output	Pnon	1.5	1.5	1.5	1.5	kW
Minimum Heat Output (Indicative)	Pmin	0.75	0.75	0.75	0.75	kW
Maximum Continuous Heat Output	PMax,c	1.5	1.5	1.5	1.5	kW
AUXILIARY ELECTRICITY CONSUMPTION						
At Normal Heat	elmax	0.0151	0.0253	0.0253	0.0279	kW
At Minimum Heat	elmin	0.0151	0.0253	0.0253	0.0279	kW
In Standby Mode	elSB	0.0005	0.0005	0.0005	0.0005	kW

With Distance Control: Yes
 Room temperature control with open window detection: Yes
 Adaptive Start With electronic room temperature control plus week timer: Yes

E-FX SL LITE

E-FX SL LITE: INFORMATIONAL REQUIREMENTS FOR ELECTRIC LOCAL SPACE HEATERS						
MODEL		SL600 - 24"	SL750 S- 30"	SL750T - 30"	SL1000 - 40"	
Item @ 110V 60Hz or 240V 50Hz	Symbol	Value	Value	Value	Value	Unit
HEAT OUTPUT						
Nominal Heat Output	Pnon	1.5	1.5	1.5	1.5	kW
Minimum Heat Output (Indicative)	Pmin	0.75	0.75	0.75	0.75	kW
Maximum Continuous Heat Output	PMax,c	1.5	1.5	1.5	1.5	kW
AUXILIARY ELECTRICITY CONSUMPTION						
At Normal Heat	elmax	0.0135	0.0217	0.0217	0.0237	kW
At Minimum Heat	elmin	0.0135	0.0217	0.0217	0.0237	kW
In Standby Mode	elSB	0.0005	0.0005	0.0005	0.0005	kW

With Distance Control: Yes
 Room temperature control with open window detection: Yes
 Adaptive Start With electronic room temperature control plus week timer: Yes

MAINTENANCE & CLEANING

WARNING!

Before any wiring work is undertaken, make sure the power for the socket has been turned off at the fuse box and check that the power is off.

Make sure the unit is disconnected from any power source. Ensure proper safety precautions are taken before attempting any work.



Maintenance **MUST** be undertaken by a qualified engineer.

Please contact your local retailer where you purchased the fire from.

- To clean your fire, make sure the power is off at the circuit breaker and the heater is cool before cleaning.
- Wipe with a clean dry cloth that is free from lint and dust. Do not use cleaning chemicals or abrasives.
- Make sure the heater is free from any dust by wiping the surface with a clean dry cloth. This should be done weekly at a minimum.
- All other servicing should be performed by a qualified service personnel.

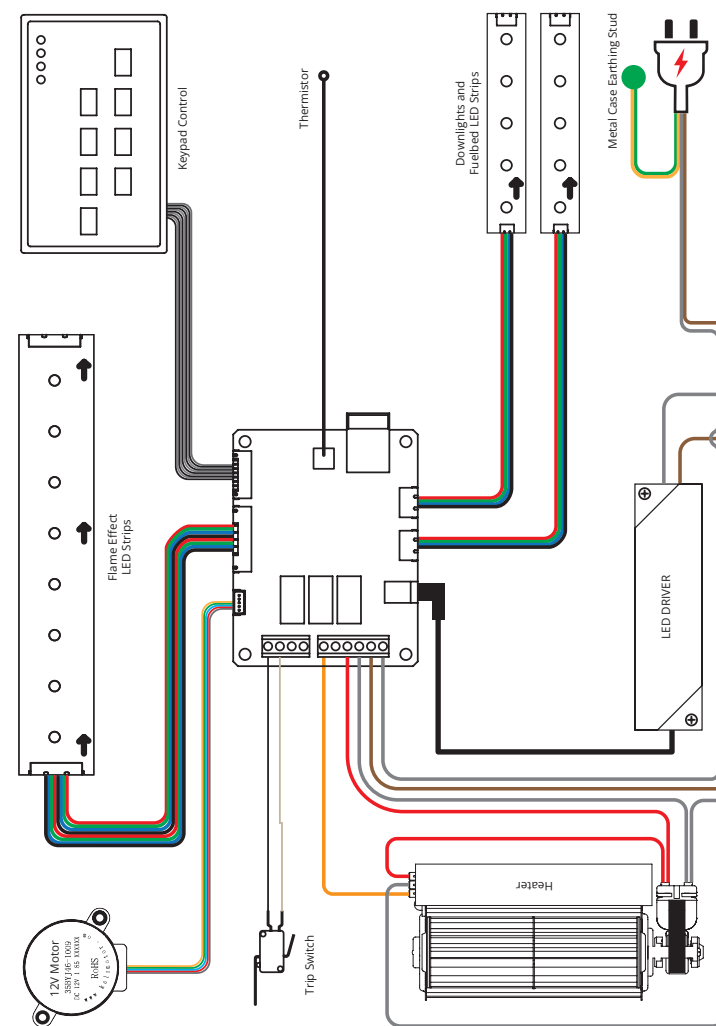
TROUBLE SHOOTING

PROBLEM	CAUSE	SOLUTION
NO POWER TO FIRE	Mains lead not plugged in	Check lead is plugged in securely and p-clipped in place (PAGE 17-23)
	Circuit board	Replacement part required (QUOTE PART NUMBER E50)
	Mains socket	Check socket is switched on
NO LIGHTING OR ILLUMINATION	Dimmer turned down	Use remote or app to adjust the dimmer settings
	Led failure	Replacement part required (QUOTE PART NUMBER E73 150MM STRIP) (QUOTE PART NUMBER E76) 280MM STRIP)
LED FLICKERING	Led cable connections	Ensure all connections are secure and fully in place
	Damaged cable	Replacement part required (QUOTE PART LED CABLE PACK)
	Faulty led	Replacement part required (QUOTE PART NUMBER E73 150MM STRIP) (QUOTE PART NUMBER E76) 280MM STRIP)
FLAME ILLUMINATED WITHOUT MOVEMENT	Spindle	Check spindle is securely attached to the motor
	Motor	New Motor maybe required (QUOTE PART NUMBER E41-1)
LOGS NOT FULLY ILLUMINATED ACROSS THE FIRE	Log wiring & connectors	Remove glass; check each log is tightly connected together
	Log led	Replacement log maybe required (SEE LOG PACK INSTRUCTIONS FOR PART CODES)
	Fuel bed led	Replacement part required (QUOTE PART NUMBER E73 150MM STRIP)
HEATER BLOWING COLD AIR	The safety cut out may have operated	Check for obstruction around the heater. If continually a problem and fitted into a cavity wall or chimney breast, check with installer that the opening has been 100% fully sealed from drawn air and draft
HEATER NOT COMING ON AT ALL	Trip switch not engaged	Check that the glass is pushed fully back. An audible click lets you know it is engaged
	Thermostat is set to low	Use the remote or app or keypad to increase the temperature
HEAT TURNS OFF QUICKLY AFTER TURNING ON	Thermostat is set to low	Use the remote or app or keypad to increase the temperature
FRONT GLASS WILL NOT FIT	Debris is front channel	Remove any obstructions and fit (PAGE 26 - PAGE 27)

TROUBLE SHOOTING

PROBLEM	CAUSE	SOLUTION
REMOTE CONTROL NON RESPONSIVE	Lost rf connection to fire	Turn fire off & on using the rocker switch next to keypad and repair the remote. See App instructions.
	Batteries	Replace with 2 x AAA
FRONT GLASS WILL NOT GLIDE FREELY	Debris from fuel bed in channel	Remove debris
	Fitted incorrectly	Refer to Installation Instructions (PAGE 26 - PAGE 27)
GLOWING LOGS NOT WORKING	Poor connection	Check all connections are secure
	Damaged cable	Replacement part required (QUOTE PART LED CABLE PACK)
	Led faulty	Replace faulty log(s) (SEE LOG PACK INSTRUCTIONS FOR PART CODES)
RHYTHMIC TICKING	Cable loose	Make sure all flame effect LED's are tied back to the LED bar and out the way of the spindle.
CAN NOT PAIR FIRE	Space after email	Remove space from email
	Wrong wi-fi password	Check password
	No 2.4ghz network available	Check 2.4GHz internet connection

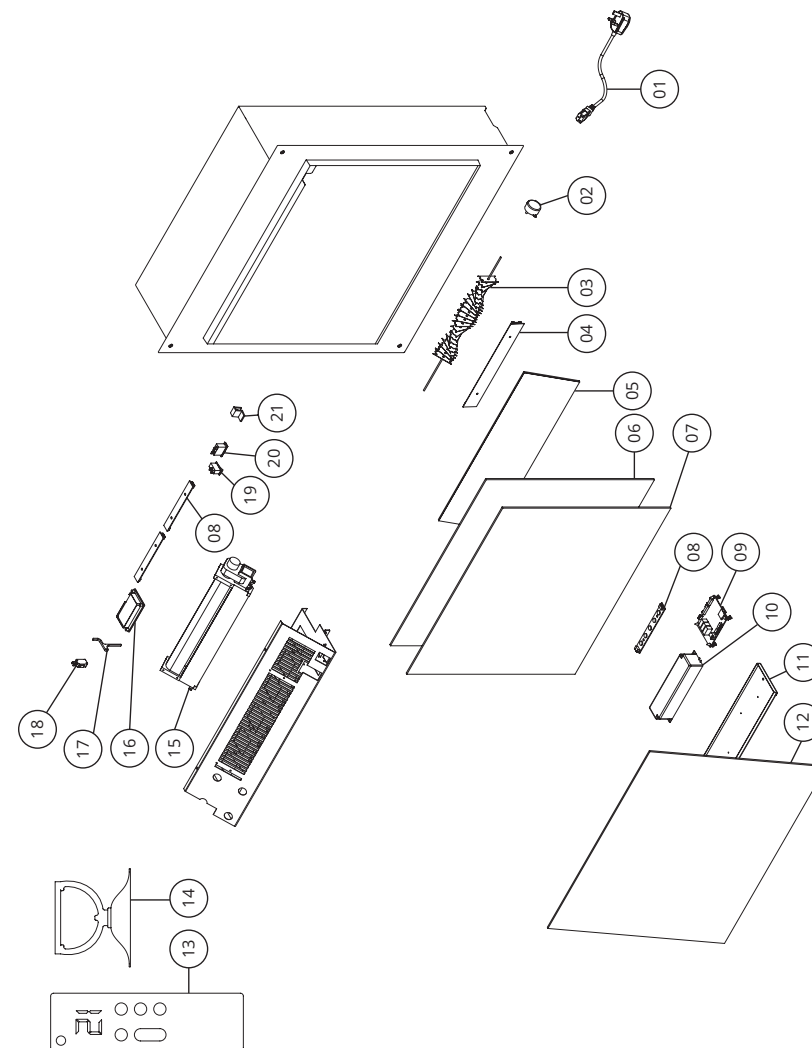
WIRING DIAGRAM



PARTS LIST

PART NUMBER	PART NAME	E-FX				E-FX LITE			
		SL600 (24")	SL750S (30")	SL750T (30")	SL1000 (40")	SL600 (24")	SL750S (30")	SL750T (30")	SL1000 (40")
1	Power Lead	E90-1	E90-1	E90-1	E90-1	E90-1	E90-1	E90-1	E90-1
2	Motor	E99	E99	E99	E99	E99	E99	E99	E99
3	Spindle	M24	M21	M22	M23	M24	M21	M22	M23
4	280mm LED	E76	E76	E76	E76	E76	E76	E76	E76
5	Patent Glass	G45	G47	G47	G8	G45	G47	G47	G8
6	Rear Screen	FE225	FE226	FE227	FE228	FE229	FE230	FE231	FE323
7	Rear Glass	G46	G48	G49	G50	G46	G48	G49	G50
8	150mm LED	E3	E3	E3	E3	E3	E3	E3	E3
9	PCB Board	E50	E50	E50	E50	E50	E50	E50	E50
10	LED Driver	E42	E42	E42	E42	E42	E42	E42	E42
11	Fuel Bed Tray	FE219	FE221	FE221	FE223	FE233	FE235	FE235	FE237
12	Front Glass	G46	G48	G49	G50	G24	G26	G34	G51
13	Remote	E47-2	E47-2	E47-2	E47-2	E47-2	E47-2	E47-2	E47-2
14	Glass Sucker	C112	C112	C112	C112	C112	C112	C112	C112
15	Heater	E17	E17	E17	E17	E17	E17	E17	E17
16	Keypad	E50	E50	E50	E50	E50	E50	E50	E50
17	Trip Arm	C110	C110	C110	C110	C110	C110	C110	C110
18	Trip Switch	E102	E102	E102	E102	E102	E102	E102	E102
19	Power Switch	E77	E77	E77	E77	E77	E77	E77	E77
20	Fuse Holder	E27	E27	E27	E27	E27	E27	E27	E27
21	Glass Handle	C54	C54	C54	C54	C54	C54	C54	C54

EXPLODED DIAGRAM



NOTES

Dotted lines for notes

NOTES

Dotted lines for notes



www.flameritefires.com/efx

Flamerite Fires Ltd, Greenhough Road, Lichfield, Staffordshire WS13 7AU

Tel: +44 1543 251122 | **Fax:** +44 1543 251133 | **Email:** info@flameritefires.com

These products are only suitable for well insulated spaces or occasional use.

Manufactured in the United Kingdom. All products are protected by patents, registered design and intellectual property rights. Flamerite Fires Ltd. will protect these rights.

All specifications are correct at the time of publishing but are subject to change.



ELECTRIC FIRES MADE IN EUROPE