

E-FX[®]

FIRES



MILAN 1200 & LAZIO 1500 INSTALLATION, PRECAUTIONS & SERVICING



E-FX & E-FX Lite

IMPORTANT

- Please bear in mind the weight of the fire before removing from the packaging and installing.
- Consider if help is required.
- Carefully remove the fire from the packaging, making sure that the power cable and heater have not been damaged during transport.
- **DO NOT** operate the fire if damaged.
- The accessories are found in a box that is packed at the side of the fire.
- Always read this manual first before attempting to install or use and keep in a safe place.
- Your fire is guaranteed for three years from the date of purchase.

 **IMPORTANT
SAVE THESE
INSTRUCTIONS**

CONTENTS

| | |
|---------------------------------|----|
| Important Instructions..... | 4 |
| UKCA & CE Declarations..... | 7 |
| ETL Declarations..... | 8 |
| Technical Specifications..... | 9 |
| Required Tools..... | 10 |
| What's In The Box..... | 11 |
| Before You Start..... | 12 |
| Flat Wall Installation..... | 13 |
| Rear Screen Options..... | 17 |
| Informational Requirements..... | 19 |
| Cleaning & Maintenance..... | 20 |
| Trouble Shooting..... | 21 |
| Wiring Diagram..... | 23 |
| FAQs..... | 24 |
| Suite Wiring Diagram..... | 25 |
| Parts List..... | 26 |

IMPORTANT INSTRUCTIONS

IMPORTANT

REGISTRATION NO WEE/DH1656ZW

- In accordance with European Directive 2012/19/ EU, waste electrical and electronic equipment (WEEE) must not be disposed of with household waste.
- Please recycle responsibly.



DETAILS

- Read all the instructions before installing or using this heater.
- **WARNING:** In order to avoid overheating, do not cover the heater.
- For indoor use only.
- **DO NOT** use the fire in the vicinity of a bath, shower or swimming pool.
- **NEVER** use the fire to dry laundry.
- The heater must not be located immediately below a socket outlet.
- The use of an extension lead is **NOT** recommended.
- This appliance can be used by children aged from 8 years and above and persons with reduced physical, sensory or mental capabilities or lack of experience and knowledge if they have been given supervision or instruction concerning use of the appliance in a safe way and understand the hazards involved.
- Children shall **NOT** play with the appliance.

IMPORTANT INSTRUCTIONS

- Cleaning and user maintenance shall **NOT** be made by children without supervision.
- Children of less than 3 years should be kept away unless continuously supervised.
- Children aged from 3 years and less than 8 years shall only switch on/off the appliance provided that it has been placed or installed in its intended normal operating position and they have been given supervision or instruction concerning use of the appliance in a safe way and understand the hazards involved.
- Children aged from 3 years and less than 8 years shall not plug in, regulate and clean the appliance or perform user maintenance.
- Some parts of this product can become very hot and cause burns. Particular attention must be given where children and vulnerable people are present.
- The heater is hot when in use. To avoid burns, do not let bare skin touch hot surfaces. Keep combustible materials, such as furniture, pillows, bedding, paper, clothes, etc. and curtains at least 3 feet (0.9m) from the front of the heater and keep them away from the sides and rear (sides and rear restrictions apply to location dedicated heaters only).
- Extreme caution is necessary when any heater is used by or near children or invalids and whenever the heater is left operating and unattended.
- Do not operate any heater after it malfunctions. Disconnect power at service panel and have heater inspected by a reputable electrician before reusing.
- Do not use outdoors.
- To disconnect heater, turn controls to off and turn off power to heater circuit at min disconnect panel.
- Do not insert or allow foreign objects to enter any ventilation or exhaust opening as this may cause an electric shock or fire, or damage to the heater.
- To prevent a possible fire, do not block air intakes or exhaust in any manner.
- A heater has hot and arcing or sparking parts inside. Do not use it in areas where gasoline, paint, or flammable vapors or liquids are used or stored.
- Use this heater only as directed in this manual. Any other use not recommended by the manufacture may cause fire, electric shock, or injury to persons.

IMPORTANT INSTRUCTIONS



CAUTION

CAUTION
RISK OF ELECTRIC SHOCK
DO NOT OPEN
NO USER-SERVICEABLE PARTS INSIDE



- The heater must be properly installed before it is used.
- Caution should be applied to ensure that children **DO NOT** play with the fuel effects.
- As with any electrical appliance whilst the instructions aim to cover as many eventualities as possible, caution and common sense should be applied when operating your appliance, particularly in the vicinity of small children.
- **CAUTION:** The heater is fitted with an automatic cut out to prevent any damage due to overheating. The element will

continually and automatically cut out if the airflow is obstructed. Never cover the air outlets. To reset, switch the fire off, disconnect from the mains supply, remove the cause of the overheating. Allow to cool for a suitable period then switch the fire back on.

- **CAUTION:** In order to avoid a hazard due to inadvertent resetting of the thermal cut out, the appliance must not be supplied through an external switching device, such as a timer, or connected to a circuit regularly switched on and off by a utility.
- Save these instructions.

UKCA & CE DECLARATIONS

| TRADE NAME | RATINGS | PRODUCT TYPE | MANUFACTURED BY |
|--|---------------------------|----------------------------------|--|
| E-FX | 220-240 Vac, 50Hz Class I | Electric Fire (fan heater) | Flamerite Fires LTD. Greenhough Road, Lichfield. Staffs. WS13 7AU. United Kingdom. |
| REQUIREMENTS: | | | |
| BS-EN 60335-2-30:2009 + A11:2012 | | | |
| BS-EN 60335-1:2012 + A11:2014 + A13:2017 + A1:2019 + A14:2019 + A2:2019 | | | |
| BS-EN 55014-1:2017 | | BS-EN IEC 6300 :2018 | |
| BS-EN 55014-2:2015 | | BS-EN 301 489-1 | |
| BS-EN61000-3-2:2014 | | BS-EN 300 489-3 | |
| BS-EN 61000-3-3:2013 | | BS-EN 300 220 | |
| BS-EN 50564:2011 | | BS-EN 60675:1995+A11:2019 | |

| TRADE NAME | RATINGS | PRODUCT TYPE | MANUFACTURED BY |
|---|---------------------------|-------------------------------|--|
| E-FX | 220-240 Vac, 50Hz Class I | Electric Fire (fan heater) | Flamerite Fires LTD. Greenhough Road, Lichfield. Staffs. WS13 7AU. United Kingdom. |
| REQUIREMENTS: | | | |
| EN 60335-2-30:2009 + A11:2012 | | | |
| EN 60335-1:2012 + A11:2014 + A13:2017 + A1:2019 + A14:2019 + A2:2019 | | | |
| EN 55014-1:2017 | | EN IEC 6300 :2018 | |
| EN 55014-2:2015 | | EN 301 489-1 | |
| EN61000-3-2:2014 | | EN 300 489-3 | |
| EN 61000-3-3:2013 | | EN 300 220 | |
| EN 50564:2011 | | EN 60675:1995+A11:2019 | |

ETL DECLARATIONS

| TRADE NAME | RATINGS | PRODUCT TYPE | MANUFACTURED BY |
|-------------------------------|-----------------------|----------------------------|--|
| E-FX | 120 Vac, 60Hz Class I | Electric Fire (fan heater) | Flamerite Fires LTD. Greenhough Road, Lichfield. Staffs. WS13 7AU. United Kingdom. |
| REQUIREMENTS: | | | |
| UL 2021 & CAN/CSA E60335-2-30 | | | |
| CERTIFICATE NUMBER | | | |
| FFID | 2AC7Z-ESP32WVROOM3 | | |

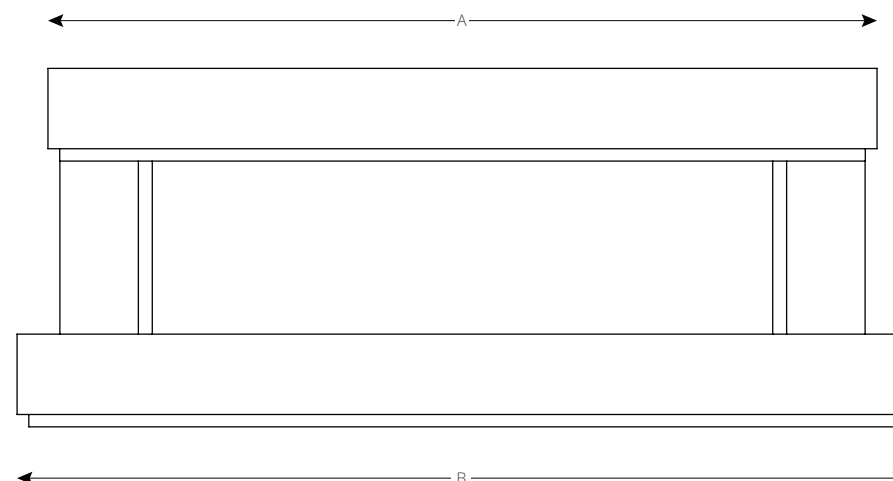
DETAILS

- A 240V or 120V supply is required.
- Maximum Power Consumption: 1500 Watts
- A 1.8 metre lead with plug is supplied with this appliance.
- There must be enough clearance for the fire to comfortably fit inside or against a wall.
- **DO NOT** squeeze into an opening as this may deform the case and stop the glass from moving correctly.
- The fire must be well supported in or on any structure. Never secure to just plaster board alone.
- A wall support or lintel should be fitted at the required height to ensure the appliance does not support the weight of the finished wall or chimney breast.

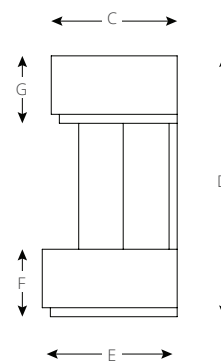
WARNING

DO NOT twist, force or squeeze the fire during the installation process.

TECHNICAL SPECIFICATIONS



FRONT VIEW



SIDE VIEW

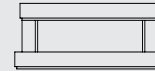
| | SUITE MODEL | |
|----------|------------------|------------------|
| | MILAN 1200 | LAZIO 1500 |
| A | 1100mm / 43 5/16 | 1400mm / 55 1/8 |
| B | 1200mm / 47 1/4 | 1500mm / 59 1/16 |
| C | 265mm / 10 7/8 | 265mm / 10 7/8 |
| D | 700mm / 27 9/16 | 640mm / 25 13/64 |
| E | 285mm / 11 7/32 | 285mm / 11 7/32 |
| F | 150mm / 5 29/32 | 150mm / 5 29/32 |
| G | 150mm / 5 29/32 | 150mm / 5 29/32 |

REQUIRED TOOLS



WHAT'S IN THE BOX...

01



E-FX FIRE

02



LOG SET

03



**ACCESSORY &
HARDWARE PACK**

04



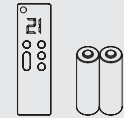
**INSTRUCTIONS &
WARRANTY CARDS**

05



POWER LEAD

06



**REMOTE &
BATTERIES**

07



FIXING PACK

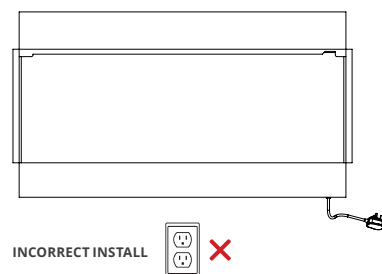
BEFORE YOU START...

PLUG SOCKETS

All fires must have an accessible plug. Do not fit a fire above a socket. Building regulations require the socket to be located at the side of the unit. It is preferable to fit the fire to a fused spur for safety. This ensures it has its own supply and will not overload current installations.

IMPORTANT

Please speak with a qualified expert before undertaking any work, and if required, ask them to carry out the installation for you.

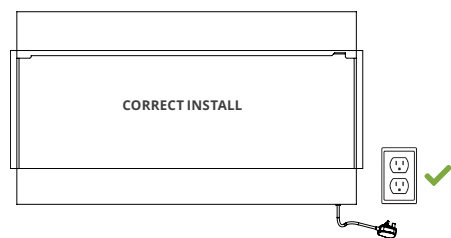


WALL FIXINGS

If fixing the fire to a wall, please ensure suitable fixings are used for the material the fire is being fixed to.

Often the wall is not completely flat and the floor uneven. When hanging the fire be sure to take this into account to ensure a good solid fit that supports the fire safely.

Your retailer may offer a fitting service, or alternatively you can find a builder to fit the fire for you.



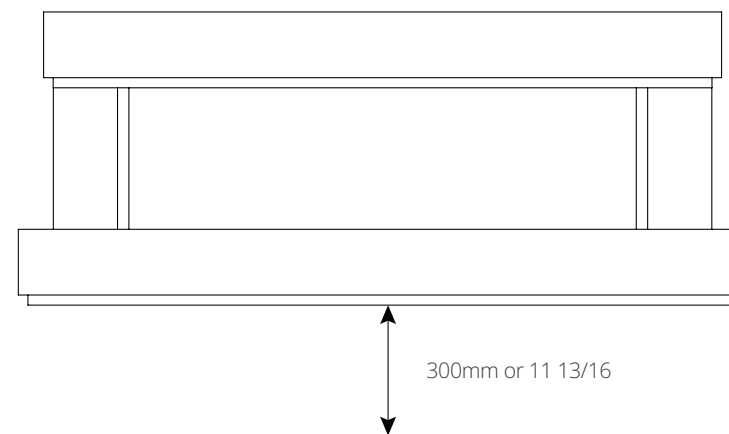
FLAT WALL INSTALLATION

FITTING YOUR E-FX FIRE ONTO A WALL OR INTO A STRUCTURE...

If purchased as a fire only or as a standard wall mount suite, the height at which you may wish to fix the fire in, or on the wall, is up to you. Be sure to take account of local building regulations, and if not sure, always consult a professional.

01

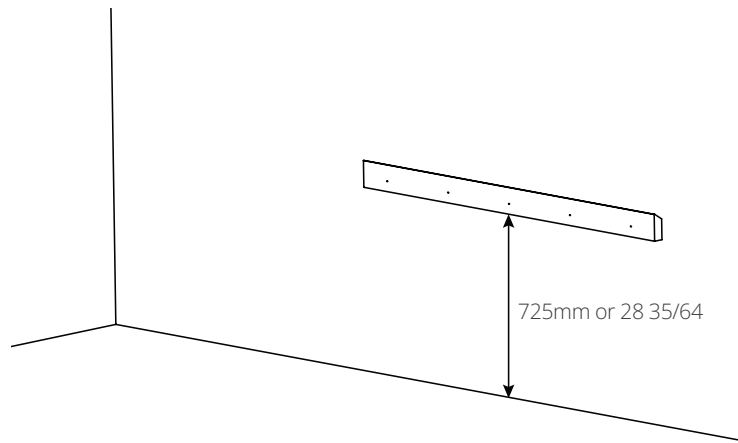
The height at which you fit the fire is up to you, however we recommend fitting it around 300mm or 11 & 13/16 inches from the floor to the bottom of the suite.



FLAT WALL INSTALLATION

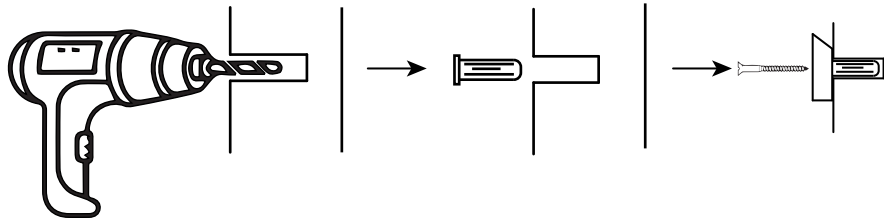
02

Start by marking a line on the wall 725mm or 28 35/64 from the floor and use a level to draw a straight line on the wall. This is where the bottom of the wall bracket will be fitted.



03

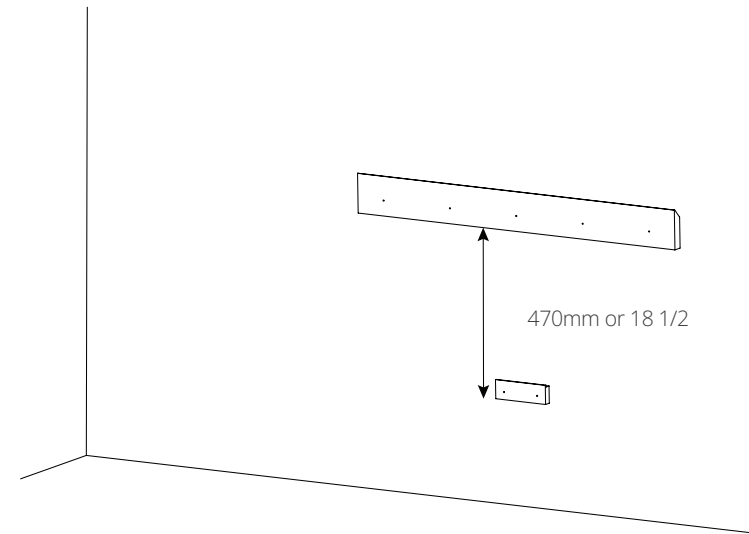
Using suitable fixings, fix the wall bracket into position, making sure all the fixings are tight and secure.



FLAT WALL INSTALLATION

04

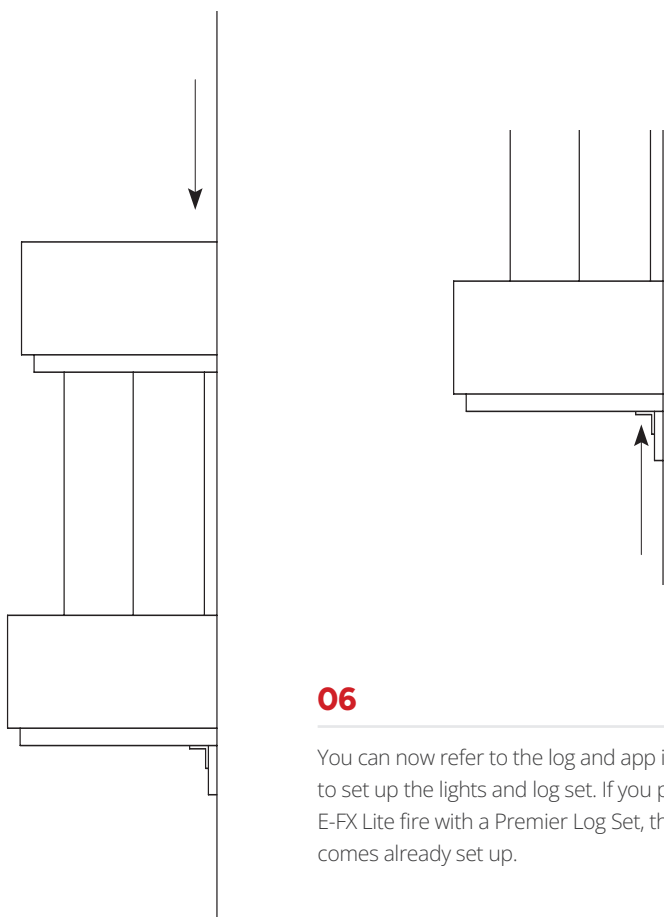
Now the top bracket is fitted, mark a line 470mm or 18 1/2 below the bottom of the wall bracket. This will be where the bottom of the support bracket goes. The support bracket can be found in the accessory pack. Fix this to the wall in the same way as the wall bracket.



FLAT WALL INSTALLATION

05

Lift the fire onto the brackets to finish the installations. Make sure that any power cables are tucked out the way. Use a screw to secure the woodwork to the bottom bracket using the metal bracket. This will prevent the unit from being lifted off the wall.



06

You can now refer to the log and app instructions to set up the lights and log set. If you purchase an E-FX Lite fire with a Premier Log Set, the fuel bed comes already set up.

REAR SCREEN OPTIONS

STANDARD E-FX

As standard one of the two rear screens in the E-FX fire has a reflective coating to mirror the log effect. When the fire is on, the flame simulates a 3 dimensional burn between the actual log effect and the reflection generated by the coating. If your preference is non-reflective, the glass with the reflective coating can be removed leaving only the projection screen in place. This is for E-FX fire only.

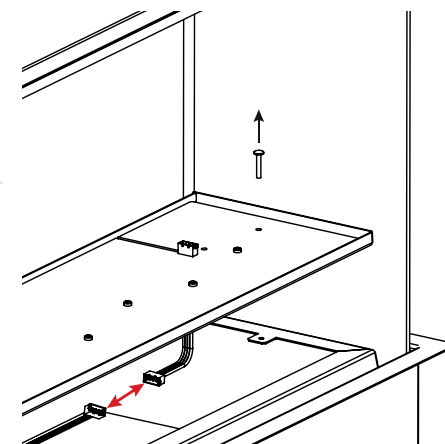
WARNING

Before any maintenance is undertaken, always disconnect the fire from the mains power supply.

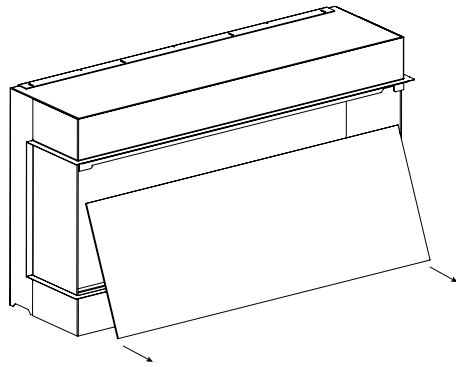
NON REFLECTIVE SCREEN OPTION

01

To remove the reflective rear glass, remove the fuel bed by removing the two screws at either side of the fuel bed. Gently lift the right side, you will need to disconnect a cable from the fuel bed to the circuit board below the connector marked "A" on the top of the fuel bed. Once this is done, you may now carefully remove the fuel bed.



REAR SCREEN OPTION



02

Now remove the rear glass, leaving the projection screen in place.

You can then reconnect the fuel bed and screw it back into place.

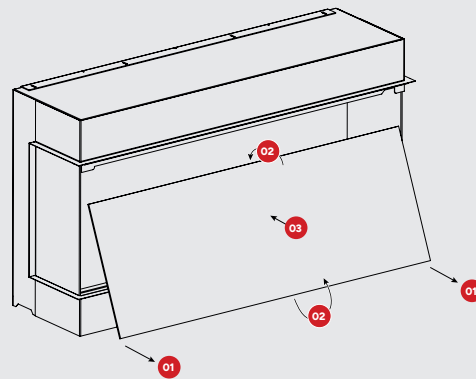
E-FX LITE

NON REFLECTIVE SCREEN OPTION

01

For E-FX Lite Fires, you can make the screen non reflective by removing the fuel bed and flipping the rear screen.

Once the screen has been flipped, refit the screen and fuel bed, making sure to reconnect it before screwing it back in.



INFORMATIONAL REQUIREMENTS

E-FX SL

| E-FX SL: INFORMATIONAL REQUIREMENTS FOR ELECTRIC LOCAL SPACE HEATERS | | | | | | |
|--|--------|-------------|---------------|--------------|--------------|------|
| MODEL | | SL600 - 24" | SL750 S - 30" | SL750T - 30" | SL1000 - 40" | |
| Item @ 110V 60Hz / 240V 50Hz | Symbol | Value | Value | Value | Value | Unit |
| HEAT OUTPUT | | | | | | |
| Nominal Heat Output | Pnon | 1.5 | 1.5 | 1.5 | 1.5 | kW |
| Minimum Heat Output (Indicative) | Pmin | 0.75 | 0.75 | 0.75 | 0.75 | kW |
| Maximum Continuous Heat Output | PMax,c | 1.5 | 1.5 | 1.5 | 1.5 | kW |
| AUXILIARY ELECTRICITY CONSUMPTION | | | | | | |
| At Normal Heat | elmax | 0.0151 | 0.0253 | 0.0253 | 0.0279 | kW |
| At Minimum Heat | elmin | 0.0151 | 0.0253 | 0.0253 | 0.0279 | kW |
| In Standby Mode | elSB | 0.0005 | 0.0005 | 0.0005 | 0.0005 | kW |

With distance control: Yes
 Room temperature control with open window detection: Yes
 Adaptive start with electronic room temperature control puls week timer: Yes

E-FX SL LITE

| E-FX SL LITE: INFORMATIONAL REQUIREMENTS FOR ELECTRIC LOCAL SPACE HEATERS | | | | | | |
|---|--------|-------------|---------------|--------------|--------------|------|
| MODEL | | SL600 - 24" | SL750 S - 30" | SL750T - 30" | SL1000 - 40" | |
| Item @ 110V 60Hz / 240V 50Hz | Symbol | Value | Value | Value | Value | Unit |
| HEAT OUTPUT | | | | | | |
| Nominal Heat Output | Pnon | 1.5 | 1.5 | 1.5 | 1.5 | kW |
| Minimum Heat Output (Indicative) | Pmin | 0.75 | 0.75 | 0.75 | 0.75 | kW |
| Maximum Continuous Heat Output | PMax,c | 1.5 | 1.5 | 1.5 | 1.5 | kW |
| AUXILIARY ELECTRICITY CONSUMPTION | | | | | | |
| At Normal Heat | elmax | 0.0135 | 0.0217 | 0.0217 | 0.0237 | kW |
| At Minimum Heat | elmin | 0.0135 | 0.0217 | 0.0217 | 0.0237 | kW |
| In Standby Mode | elSB | 0.0005 | 0.0005 | 0.0005 | 0.0005 | kW |

With distance control: Yes
 Room temperature control with open window detection: Yes
 Adaptive start with electronic room temperature control puls week timer: Yes

MAINTENANCE

WARNING!

Before any wiring work is undertaken, make sure the power for the socket has been turned off at the fuse box and check that the power is off.

Make sure the unit is disconnected from any power source. Ensure proper safety precautions are taken before attempting any work.

Maintenance **MUST** be undertaken by a qualified engineer.

Please contact your local retailer where you purchased the fire from.



- To clean your fire, make sure the power is off at the circuit breaker and the heater is cool before cleaning.
- Wipe with a clean dry cloth that is free from lint and dust. Do not use cleaning chemicals or abrasives.
- Make sure the heater is free from any dust by wiping the surface with a clean dry cloth. This should be done weekly at a minimum.
- All other servicing should be performed by a qualified service personnel.

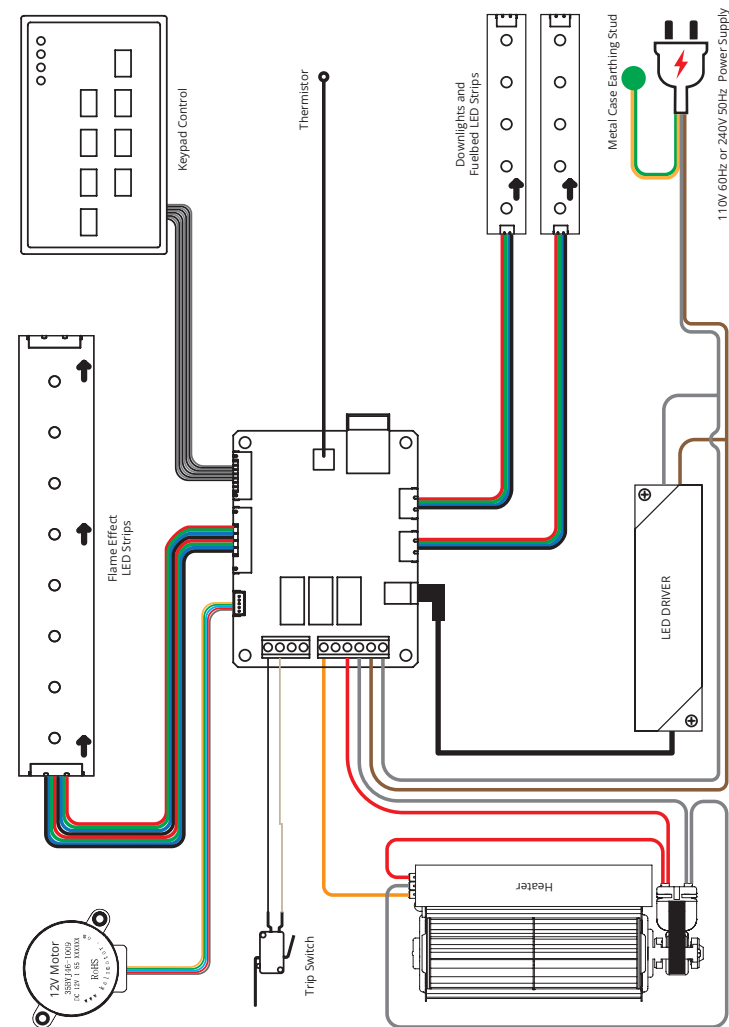
TROUBLE SHOOTING

| PROBLEM | CAUSE | SOLUTION |
|--|--------------------------------------|--|
| NO POWER TO FIRE | Mains lead not plugged in | Check lead is plugged in securely and p-clipped in place |
| | Circuit board | Replacement part required |
| | Mains socket | Check socket is switched on |
| NO LIGHTING OR ILLUMINATION | Dimmer turned down | Use remote or app to adjust the dimmer settings |
| | Led failure | Replacement part required |
| LED FLICKERING | Led cable connections | Ensure all connections are secure and fully in place |
| | Damaged cable | Replacement part required |
| | Faulty led | Replacement part required |
| FLAME ILLUMINATED WITHOUT MOVEMENT | Spindle | Check spindle is securely attached to the motor |
| | Motor | New Motor maybe required |
| LOGS NOT FULLY ILLUMINATED ACROSS THE FIRE | Log wiring & connectors | Remove glass; check each log is tightly connected together |
| | Log led | Replacement log maybe required |
| | Fuel bed led | Replacement part required |
| HEATER BLOWING COLD AIR | The safety cut out may have operated | Check for obstruction around the heater. If continually a problem and fitted into a cavity wall or chimney breast, check with installer that the opening has been 100% fully sealed from drawn air and draft |
| HEATER NOT COMING ON AT ALL | Trip switch not engaged | Check that the glass is pushed fully back. An audible click lets you know it is engaged |
| | Thermostat is set to low | Use the remote or app or keypad to increase the temperature |
| HEAT TURNS OFF QUICKLY AFTER TURNING ON | Thermostat is set to low | Use the remote or app or keypad to increase the temperature |
| FRONT GLASS WILL NOT FIT | Debris is front channel | Remove any obstructions and fit |

TROUBLE SHOOTING

| PROBLEM | CAUSE | SOLUTION |
|-----------------------------------|---------------------------------|--|
| REMOTE CONTROL NON RESPONSIVE | Lost rf connection to fire | Turn fire off & on using the rocker switch next to keypad and repair the remote. See App instructions. |
| | Batteries | Replace with 2 x AAA |
| FRONT GLASS WILL NOT GLIDE FREELY | Debris from fuel bed in channel | Remove debris |
| | Fitted incorrectly | Refer to Installation Instructions |
| GLOWING LOGS NOT WORKING | Poor connection | Check all connections are secure |
| | Damaged cable | Replacement part required |
| | Led faulty | Replace faulty log(s) |
| RHYTHMIC TICKING | Cable loose | Make sure all flame effect LED's are tied back to the LED bar and out the way of the spindle. |
| CAN NOT PAIR FIRE | Space after email | Remove space from email |
| | Wrong wi-fi password | Check password |
| | No 2.4ghz network available | Check 2.4GHz internet connection |

FIRE WIRING DIAGRAM



FAQS

01

Q How do I pair and work my down lights?

A Please refer to the Cloud eControl App Instruction manual. Alternatively there is a switch located under the top right of the suite.

02

Q Why are my down lights not working?

A Make sure the switch inside the suite is turned on and the plugs are seated properly.

03

Q How do I fit the plinth?

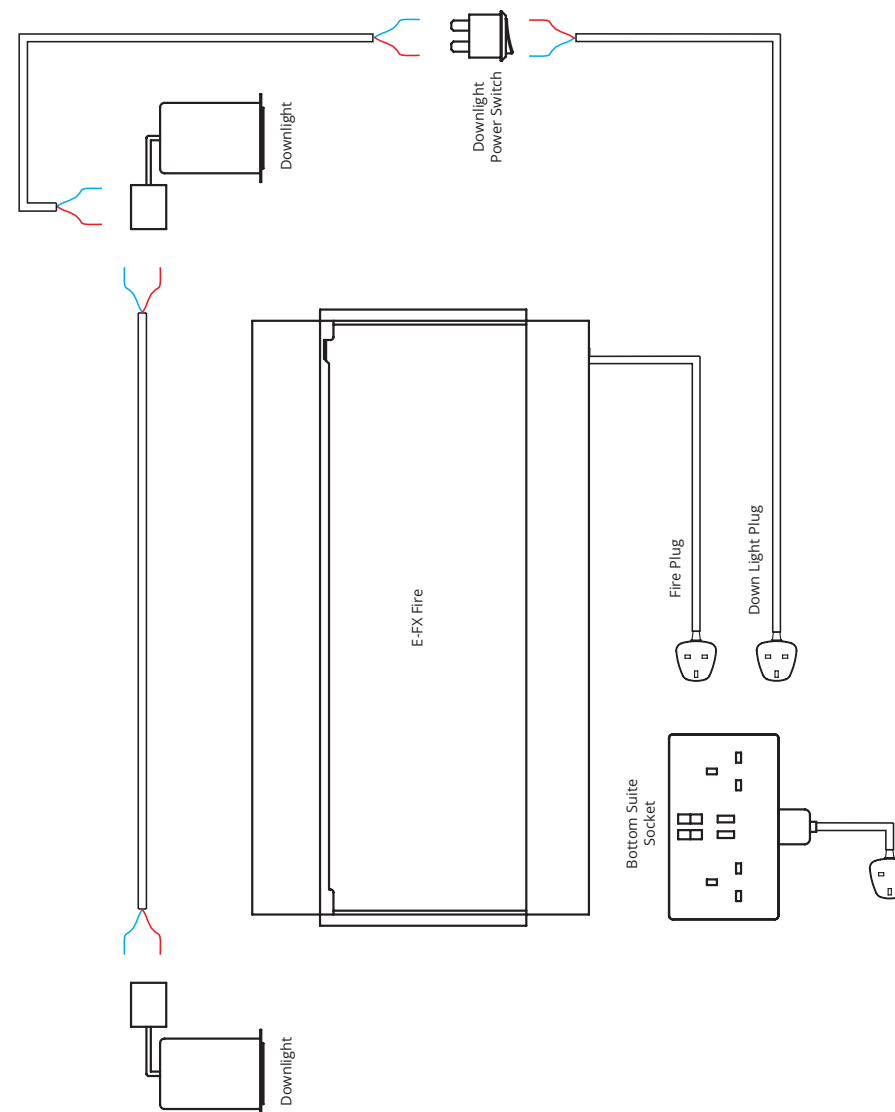
A The plinth simply slides under the unit. Make sure you plug any LED lighting kits in before fitting the bottom of the suite. Check the Fire Installation Instructions for the correct height to install the fire for use with a plinth suite.

04

Q What height should my fire be at to install the suite?

A Check the Fire Installation Instructions for the correct height to install the fire for use with the type of suite you have.

SUITE WIRING DIAGRAM

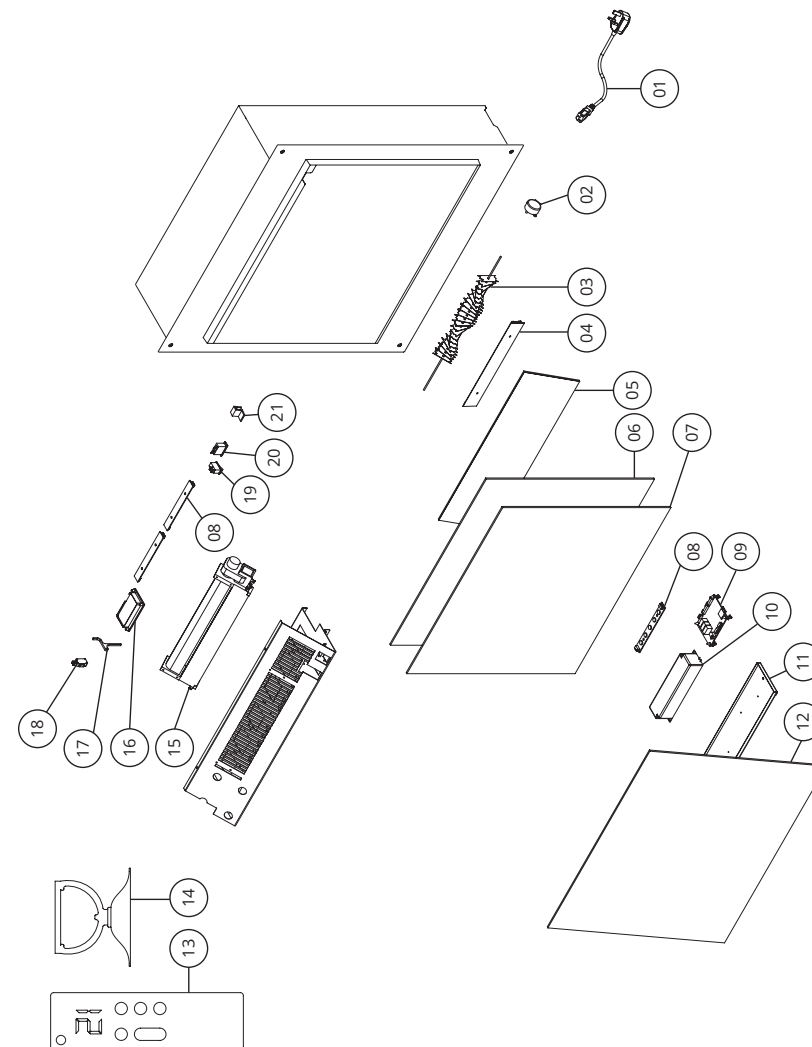


PARTS LIST

| PART NUMBER | PART NAME | E-FX | | | | E-FX LITE | | | |
|-------------|---------------|-------------|--------------|--------------|--------------|-------------|--------------|--------------|--------------|
| | | SL600 (24") | SL750S (30") | SL750T (30") | SL1000 (40") | SL600 (24") | SL750S (30") | SL750T (30") | SL1000 (40") |
| 1 | Power Lead | E90-1 | E90-1 | E90-1 | E90-1 | E90-1 | E90-1 | E90-1 | E90-1 |
| 2 | Motor | E99 | E99 | E99 | E99 | E99 | E99 | E99 | E99 |
| 3 | Spindle | M24 | M21 | M22 | M23 | M24 | M21 | M22 | M23 |
| 4 | 280mm LED | E76 | E76 | E76 | E76 | E76 | E76 | E76 | E76 |
| 5 | Patent Glass | G45 | G47 | G47 | G8 | G45 | G47 | G47 | G8 |
| 6 | Rear Screen | FE225 | FE226 | FE227 | FE228 | FE229 | FE230 | FE231 | FE323 |
| 7 | Rear Glass | G46 | G48 | G49 | G50 | G46 | G48 | G49 | G50 |
| 8 | 150mm LED | E3 | E3 | E3 | E3 | E3 | E3 | E3 | E3 |
| 9 | PCB Board | E50 | E50 | E50 | E50 | E50 | E50 | E50 | E50 |
| 10 | LED Driver | E42 | E42 | E42 | E42 | E42 | E42 | E42 | E42 |
| 11 | Fuel Bed Tray | FE219 | FE221 | FE221 | FE223 | FE233 | FE235 | FE235 | FE237 |
| 12 | Front Glass | G46 | G48 | G49 | G50 | G24 | G26 | G34 | G51 |
| 13 | Remote | E47-2 | E47-2 | E47-2 | E47-2 | E47-2 | E47-2 | E47-2 | E47-2 |
| 14 | Glass Sucker | C112 | C112 | C112 | C112 | C112 | C112 | C112 | C112 |
| 15 | Heater | E17 | E17 | E17 | E17 | E17 | E17 | E17 | E17 |
| 16 | Keypad | E50 | E50 | E50 | E50 | E50 | E50 | E50 | E50 |
| 17 | Trip Arm | C110 | C110 | C110 | C110 | C110 | C110 | C110 | C110 |
| 18 | Trip Switch | E102 | E102 | E102 | E102 | E102 | E102 | E102 | E102 |
| 19 | Power Switch | E77 | E77 | E77 | E77 | E77 | E77 | E77 | E77 |
| 20 | Fuse Holder | E27 | E27 | E27 | E27 | E27 | E27 | E27 | E27 |
| 21 | Glass Handle | C54 | C54 | C54 | C54 | C54 | C54 | C54 | C54 |

Please note the Milan and Lazio do not come with front glass.

PARTS LIST





www.flameritefires.com/efx

Flamerite Fires Ltd, Greenhough Road, Lichfield, Staffordshire WS13 7AU
Tel: 01543 251122 | **Fax:** 01543 251133 | **Email:** info@flameritefires.com

These products are only suitable for well insulated spaces or occasional use.

Manufactured in the United Kingdom. All products are protected by patents, registered design and intellectual property rights. Flamerite Fires Ltd. will protect these rights.

All specifications are correct at the time of publishing but are subject to change.



ELECTRIC FIRES MADE IN EUROPE