

FLOYD

**Media
Console**

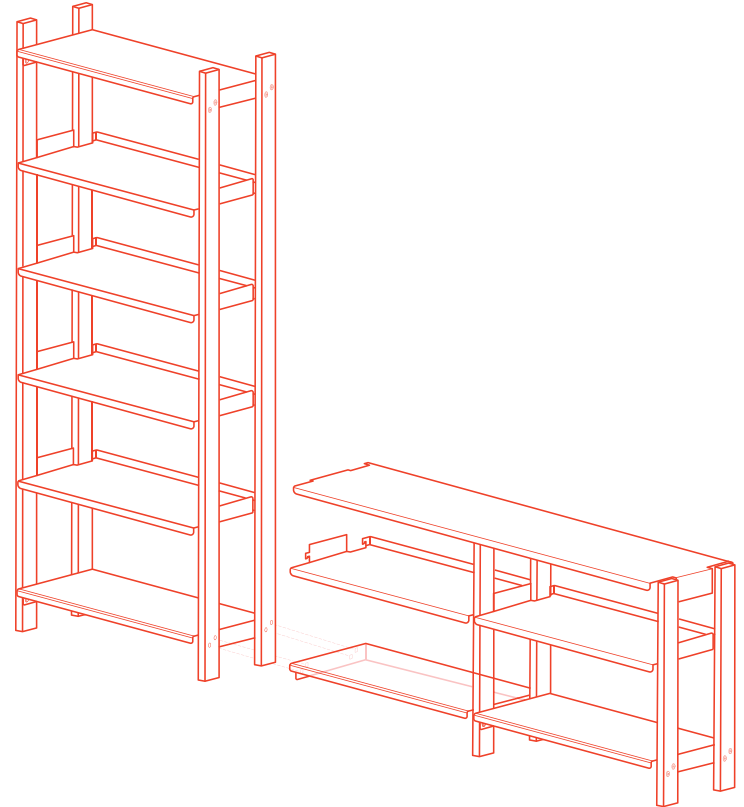
Table of Contents

05	Conversion Kit
09	Components
13	Setting up a Media Console with four Shelves
39	Setting up a Media Console with two Cabinets
71	Setting up a Media Console with two Shelves + one Cabinet
103	+ Expanding a Tall Shelf with a Media Console
105	+ Expanding a Short Shelf with a Media Console
107	Warning



Expanding a Media Console to a Shelf Unit Purchased before 10-12-2020?

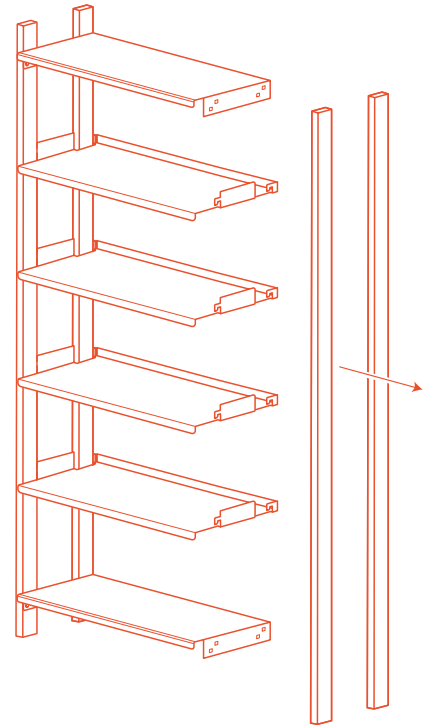
If expanding to a shelf unit
purchased before **10-12-2020**,
you'll need a conversion kit in
order to complete your set up.





Cont.

Remove the supports on the side that you'd like to expand to and replace them with your updated supports. Once you've replaced your supports, follow the instructions for expanding a media console onto an existing shelf unit.



Components

MEDIA CONSOLE

4 Shelves

2 Cabinets

2 Shelves + 1 Cabinet

1x

1x

1x

Hex Tool



12x

12x

12x

Bolts



12x

12x

12x

Nuts

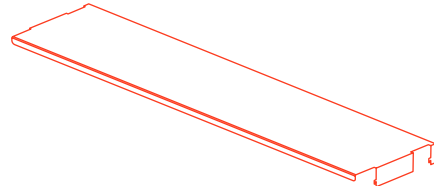


1x

1x

1x

**Media
Console
Shelf**



Components

MEDIA CONSOLE

4 Shelves

2 Cabinets

2 Shelves + 1 Cabinet

6x

6x

6x

**Wood
Verticles**

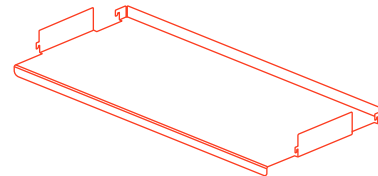


2x

0x

1x

Shelves

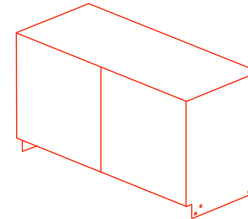


0x

2x

1x

Cabinets

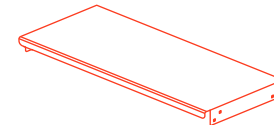


0x

0x

1x

Loops

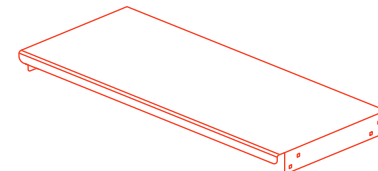


0x

2x

0x

**Fixed
Shelves**



Media Console

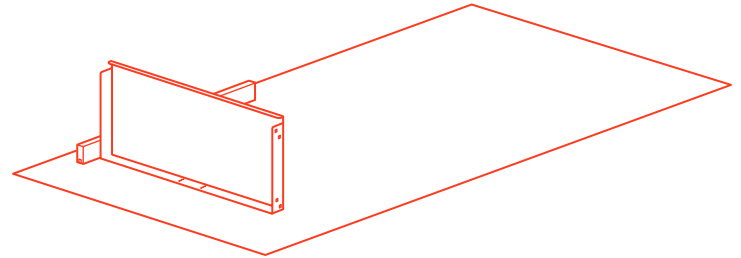
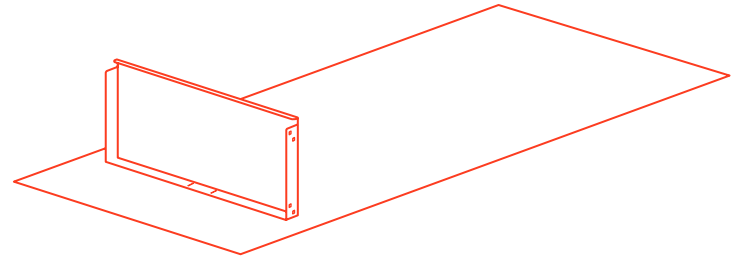
Four Shelves

1

Position the first fixed shelf

Place the fixed shelf with its back edge on the floor and have a friend hold in place. Align the holes on the wood supports to the holes on the fixed shelf. The metal plate on the wood supports should be facing the ground.

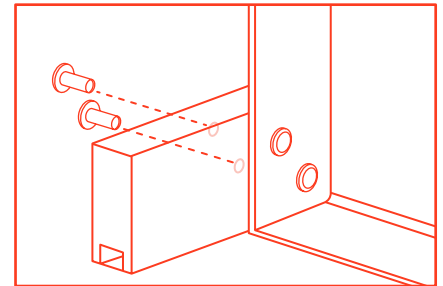
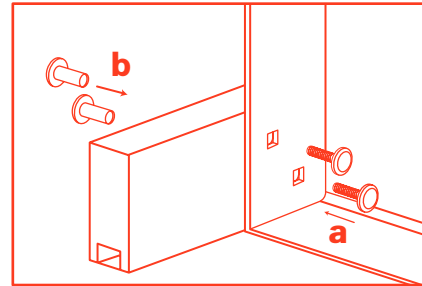
Note: To identify the bottom of the vertical, look for the end that has a notch cut out in the wood.



2a

Begin to attach the first fixed shelf

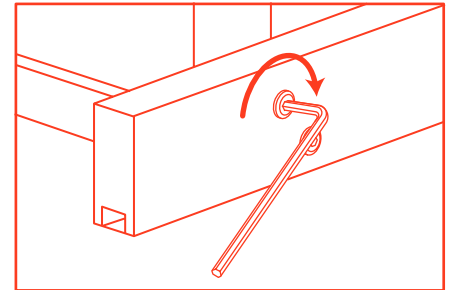
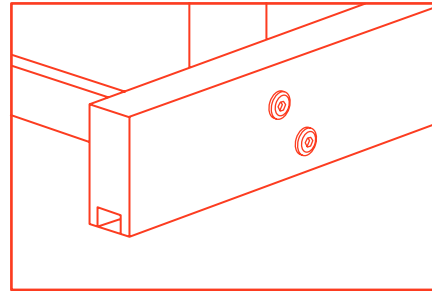
Insert two bolts through the square holes in the fixed shelf (a) and until they are fully inserted. Next, insert the nuts (b) through the holes in the wood and begin to tighten them to the bolts by hand.



2b

Tighten fasteners to secure the fixed shelf to the wood supports

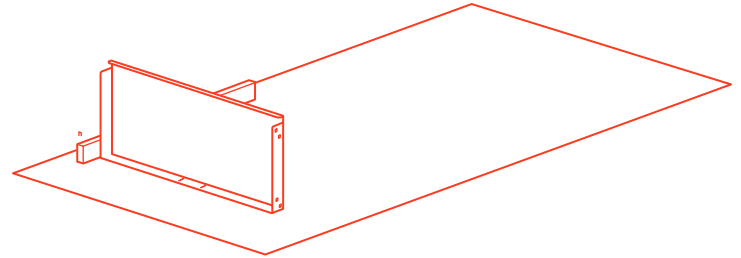
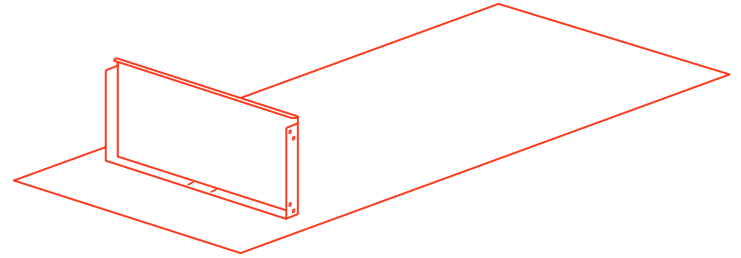
Finish tightening the nuts with the hex tool. The bolt should stay in place, but may need to be pressed to hold in place when tightening the nut.



3

Set up second fixed shelf

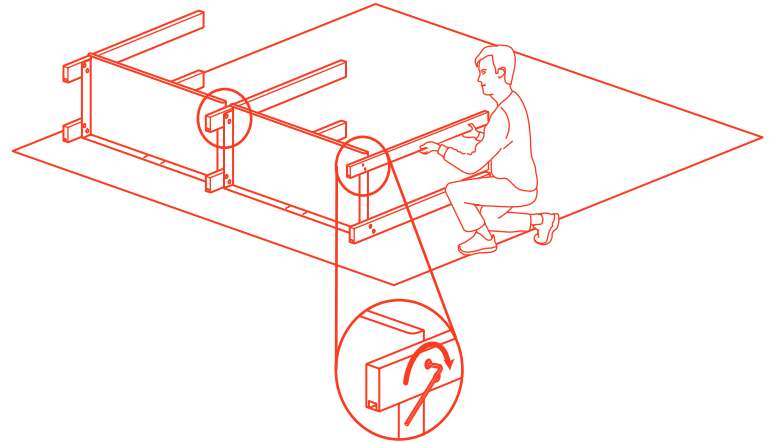
Take the second fixed shelf and two more wood supports and attach them together following steps 2a-2b.



4

Attach the remaining wood supports

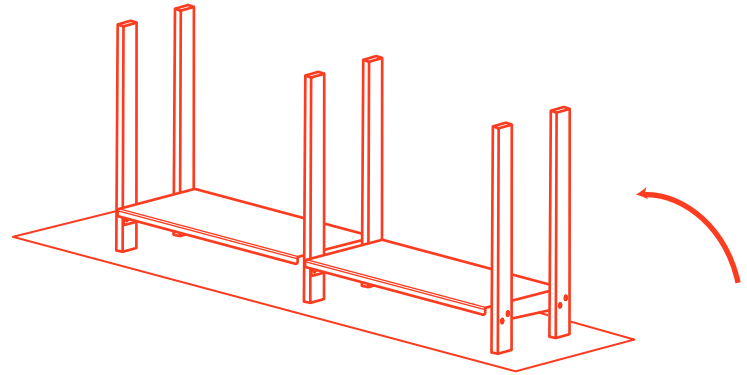
Take the three remaining wood supports and attach them to the fixed shelves as shown in steps 2a-2b. Have a friend help hold the wood supports in place while you attach them to the fixed shelves.



5

Stand the shelf upright

Note: After standing up the shelf, double check each connection to make sure fasteners are fully tightened and secure.

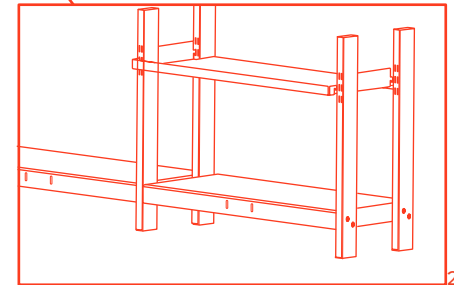
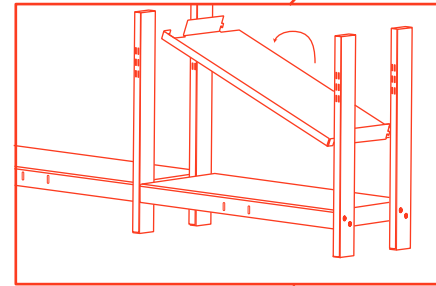
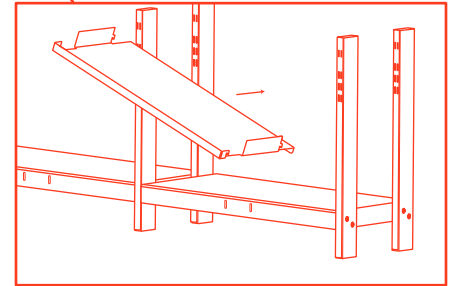
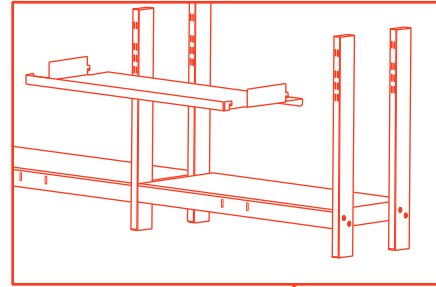


6

Add the shelves

To attach the shelves, insert each shelf from the back at a 45 degree angle. Rotate the shelf parallel to the floor so that the tall side flanges of the shelf are in between the wood supports. Insert the hooks on each shelf into the slots in the metal tracks on the back side of each wood support.

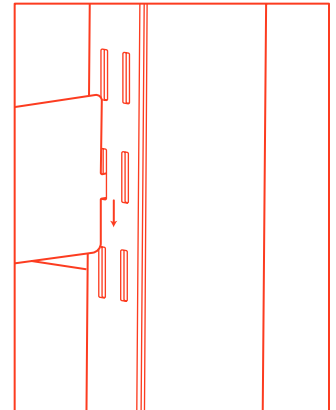
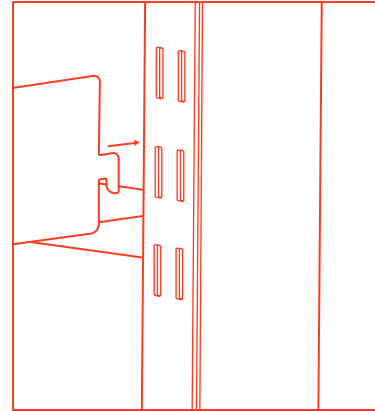
Note: Make sure all four hooks on each shelf are inserted into the slots in the metal tracks on the wood supports.



6

Adjust the shelves (optional)

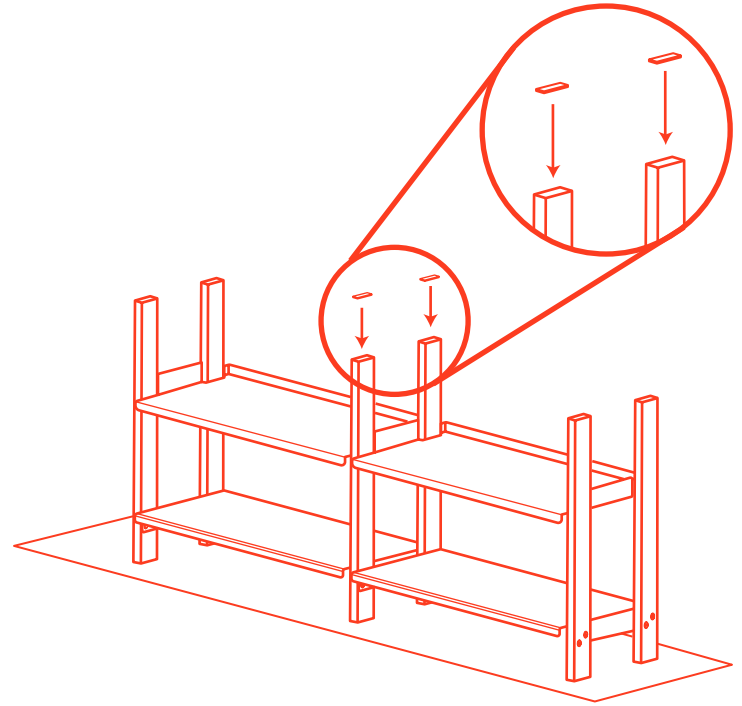
The shelf spacing is adjustable. With each shelf attached to the middle slot, the shelves will be evenly spaced. To increase or decrease shelf spacing, insert the hooks on the shelves into the slots above or below the middle slots.



7

Place felt pads on top of middle supports

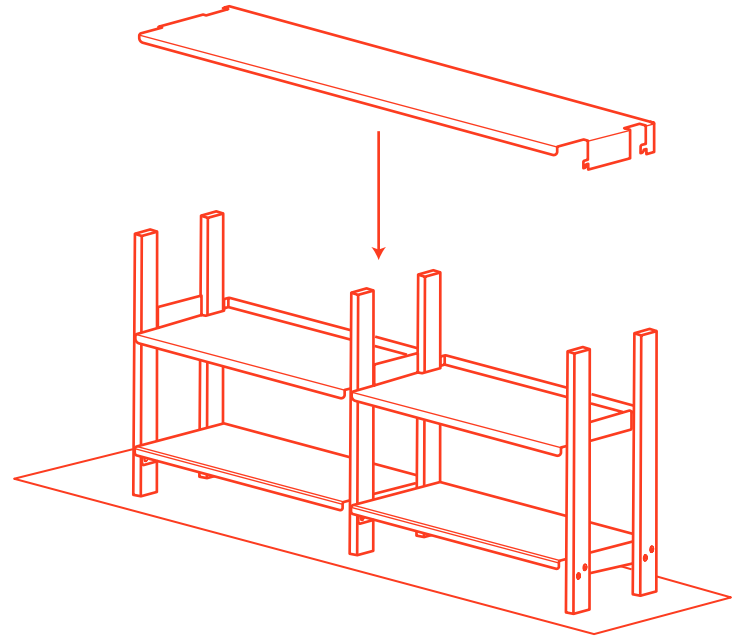
Take two felt pads from the assembly components box and attach them to the tops of the two middle supports. These will help prevent wear between the wood supports and metal shelf.



8a

Position the media console shelf

Place the media console shelf
down so it rests on the center
wood supports.

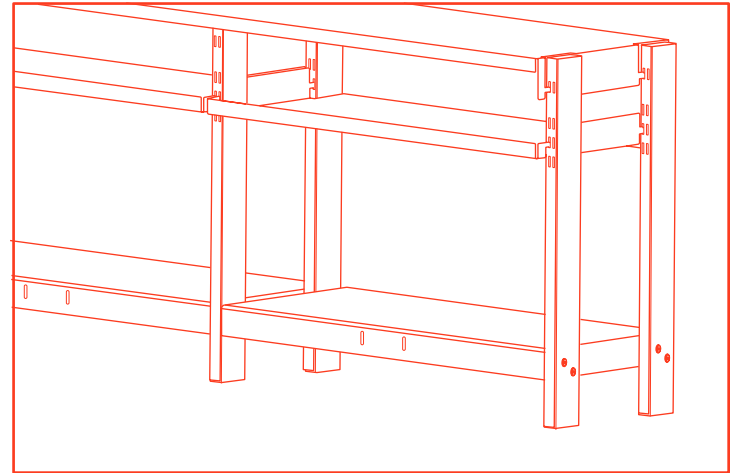


8b

Attach the media console shelf

From behind, insert the hooks on the media console shelf into the slots in the metal tracks on the back of the four outer wood supports.

Note: Make sure all four hooks on each shelf are inserted into the slots in the metal tracks on the wood supports.



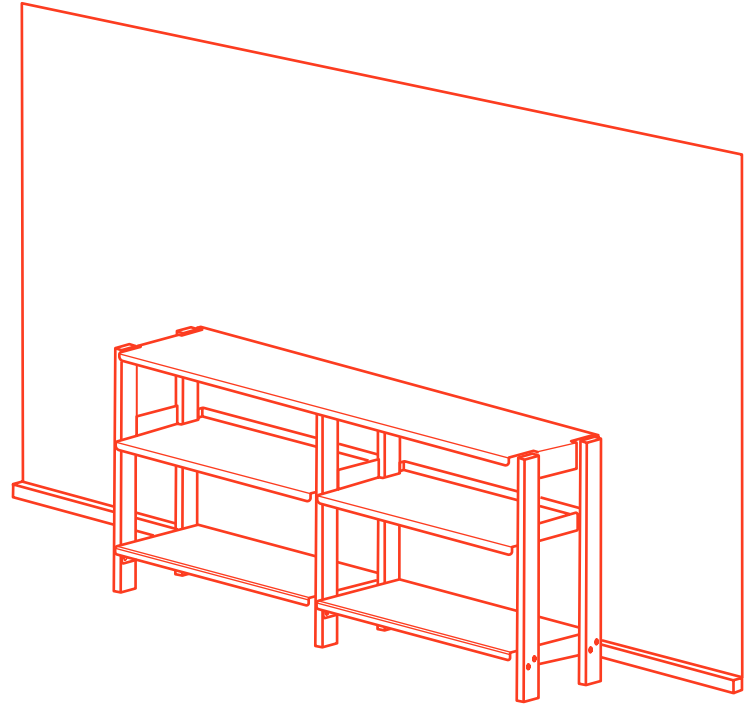
9

That's it!

Place the fully assembled shelf unit against the wall.

Don't be shy – we'd love to see your shelf's new home!

**@floyddetroit
#thefloydshelf**



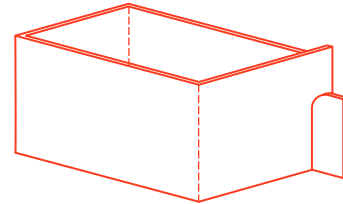
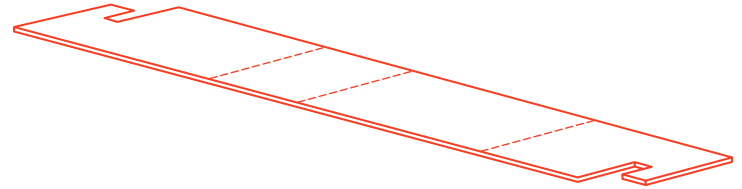
Media Console

Two Cabinets

1

Set up the cardboard assembly box

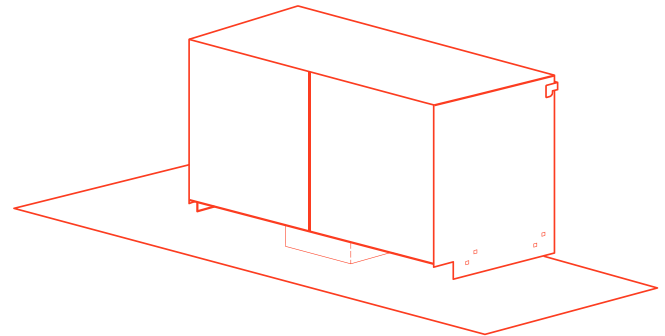
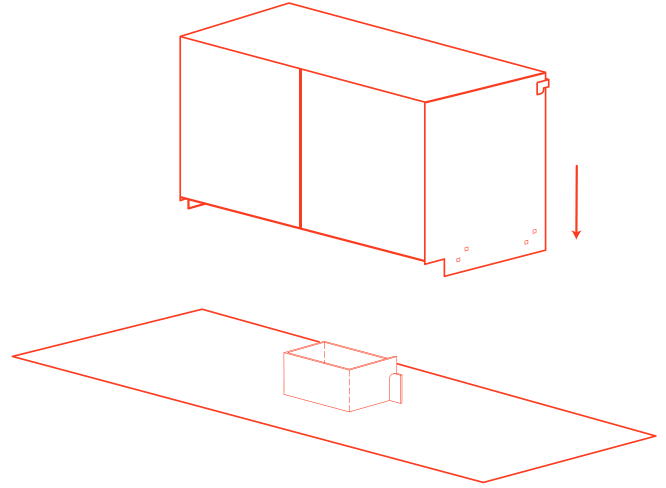
Take the notched cardboard sheet that's included with the packaging and fold it up into a 4-sided box.



2

Place the cardboard assembly box

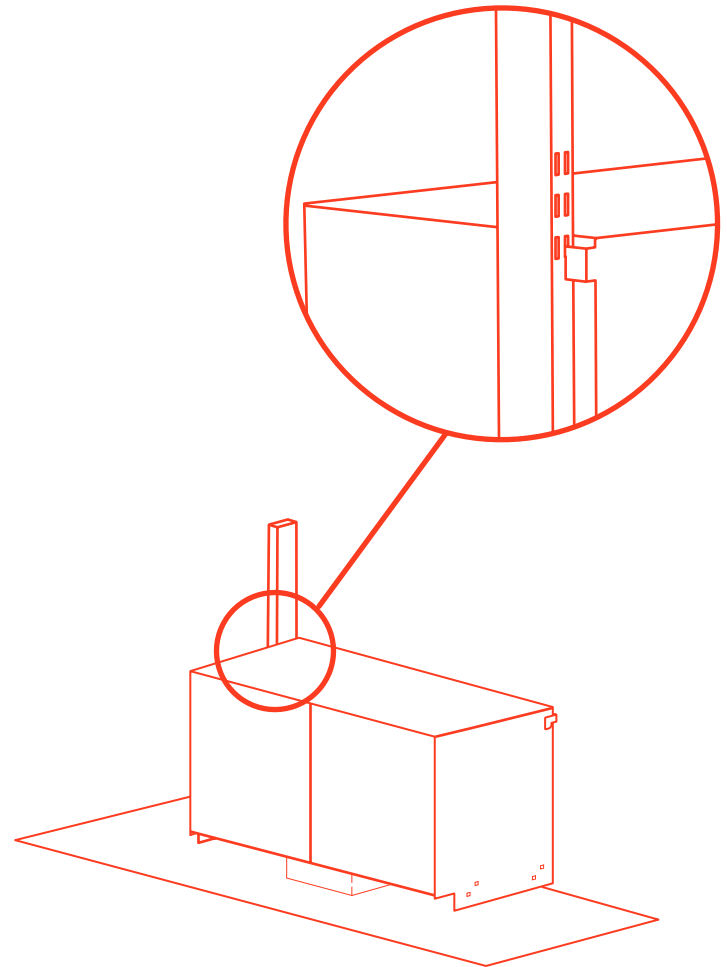
Place the cardboard assembly box on the floor then carefully set the cabinet down so it rests on the box.



3

Attach cabinet to back wood supports

Starting with the back outside wood support, attach the hook of the cabinet unit to the bottom slot on the metal track on the back of the wood support.

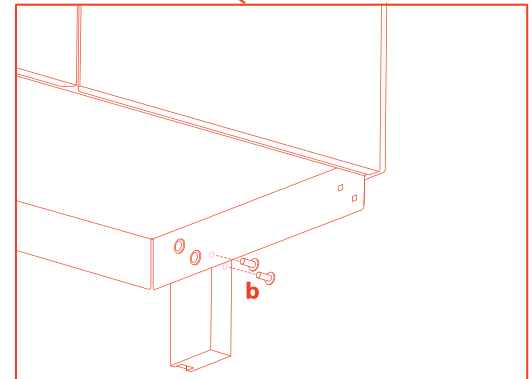
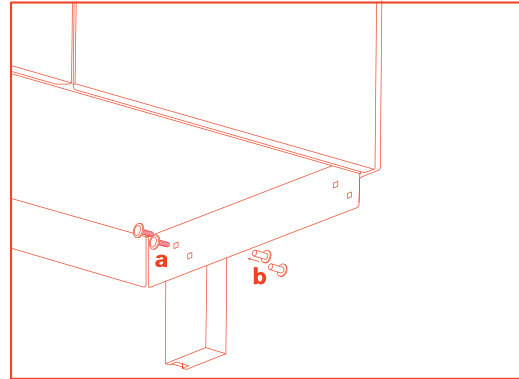


4

Secure the cabinet to the wood supports

Underneath the cabinet, insert the bolts through the square holes on the bottom edge of the unit. Make sure the bolts are fully seated. Then, insert the nuts through the holes on the outside of the vertical wood supports and begin tightening them with the hex tool.

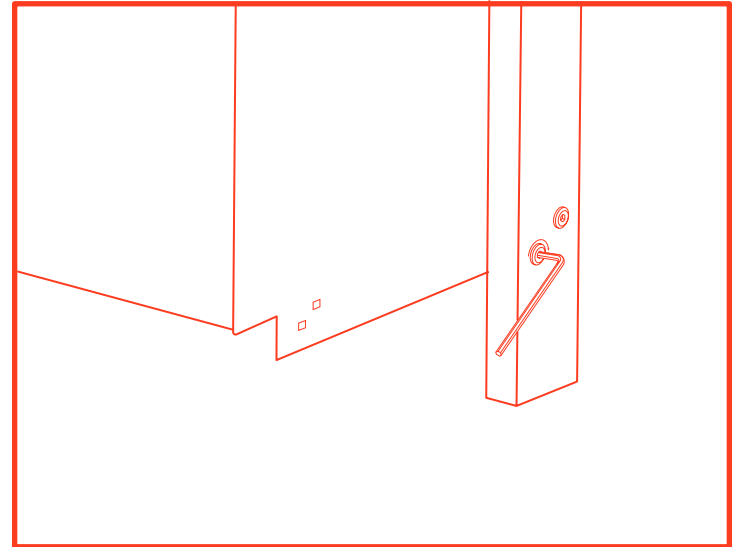
Note: It may be easier to begin tightening the nuts by hand, then finish tightening with the hex tool.



5

Tighten the fasteners

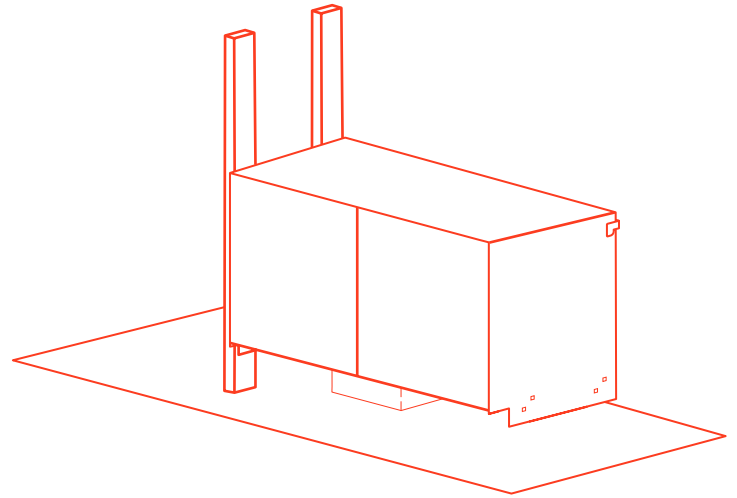
Finish tightening all of the
nuts on both sides (8x) with
the hex tool.



6

Attach the front wood support

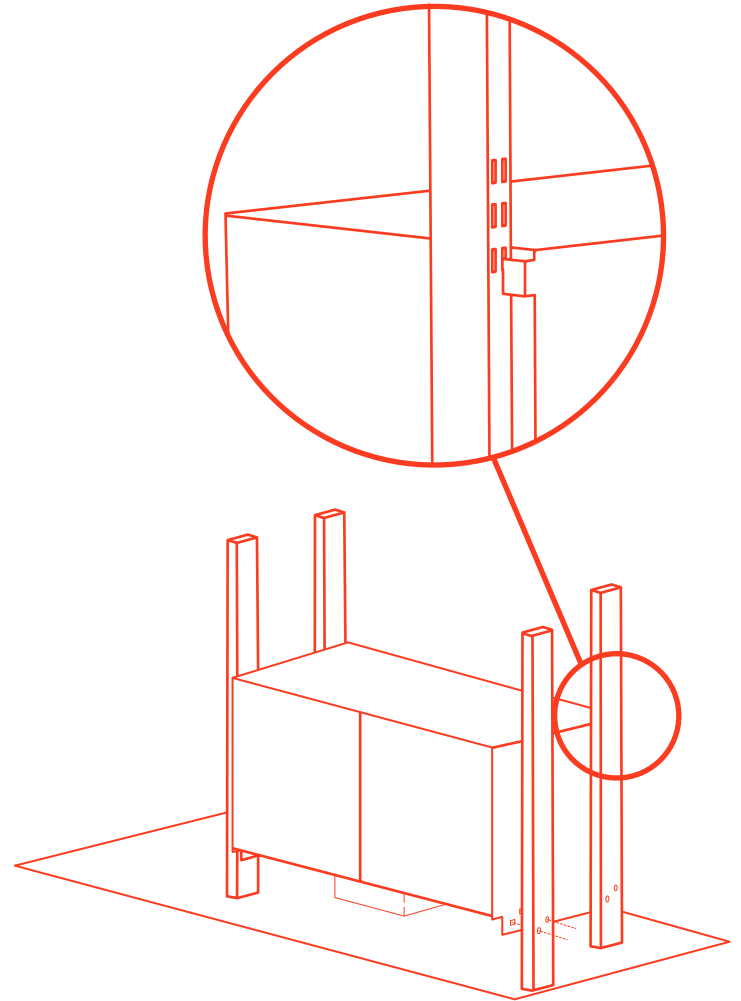
Repeat steps 4-5 with the front left wood support. Since there is no hook in the front to attach to the wood support, have a friend help hold it in place while you tighten the fasteners.



7a

Attach the middle wood supports

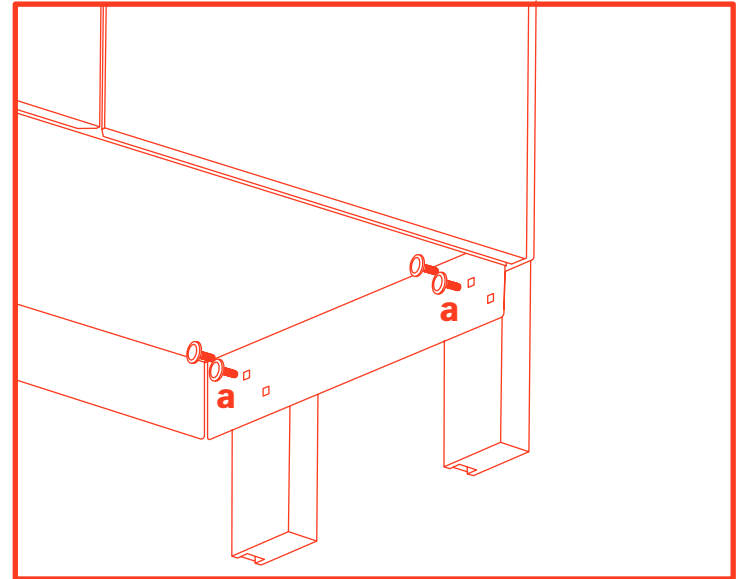
Take the next two wood supports and attach them to the cabinet. Start with the back wood support, setting the hook on cabinet into the bottom slot in the metal track on the back of the wood support.



7b

Insert bolts through holes in cabinet

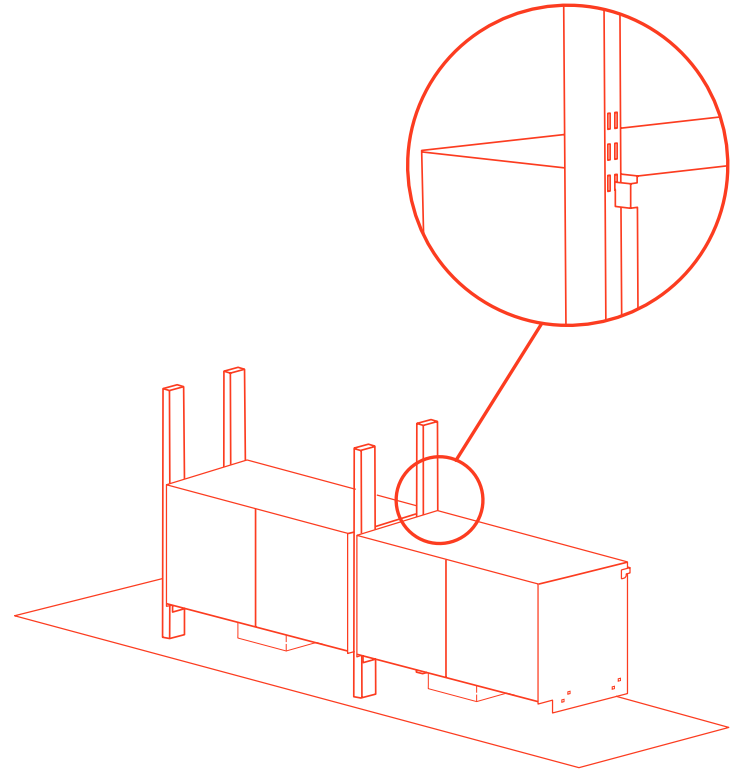
Then have a friend hold the front wood support and insert the bolts through the square holes on the bottom edge of the unit into the holes on the wood supports.



8

Place second cabinet

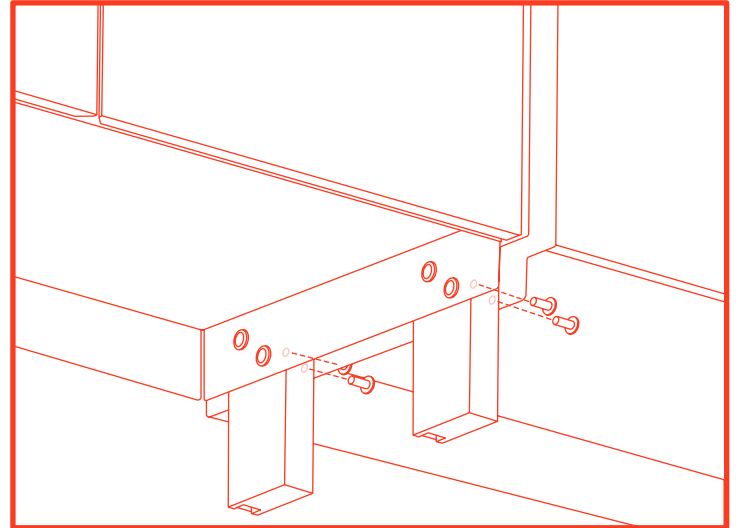
Place the cardboard assembly box on the floor then carefully set the cabinet down so it rests on the box. Place the hook on the cabinet into the bottom slot of the metal track on the back of the wood support.



9

Secure fasteners to attach cabinets to middle wood supports

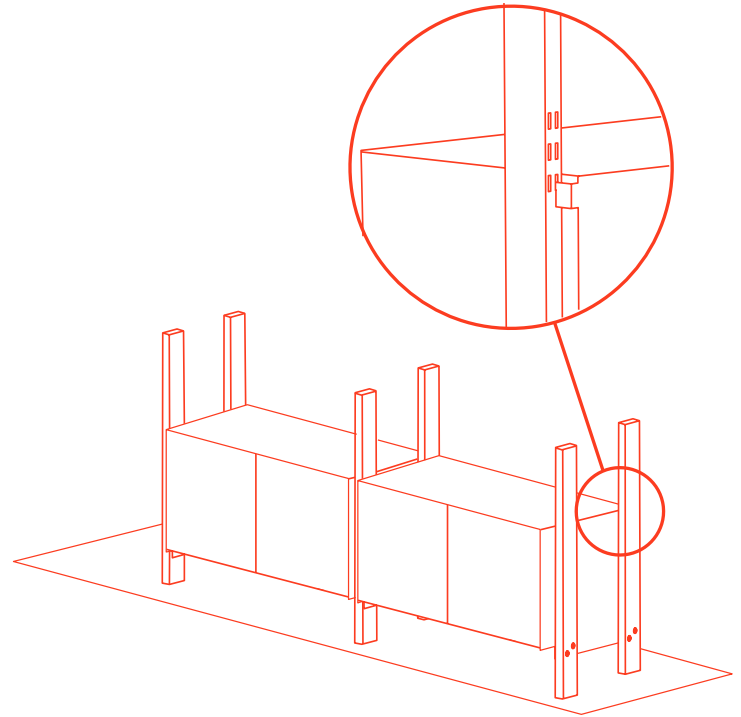
Insert the nuts through the square holes on the second cabinet and begin tightening them to the bolts by hand. Finish tightening with the hex tool.



10

Attach the right side outer wood supports

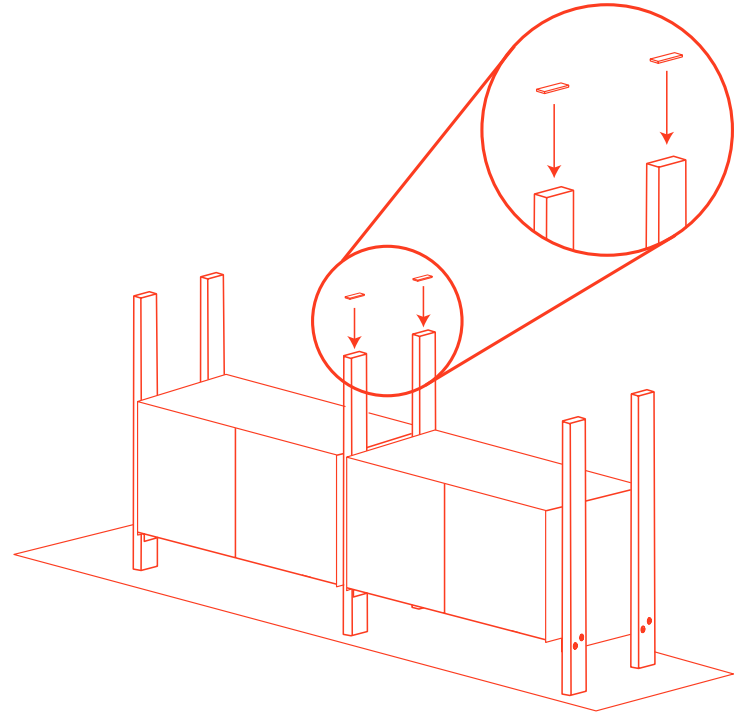
Repeat steps 3-5 with the back right and front right wood supports. Since there is no hook for the front wood support, have a friend hold it in place while you tighten the fasteners.



11

Place felt pads on top of middle supports

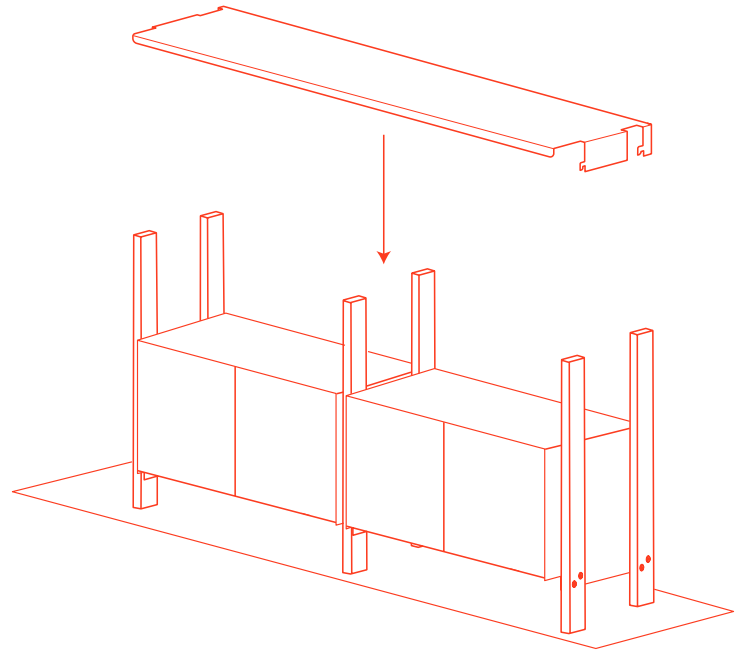
Take two felt pads from the assembly components box and attach them to the tops of the two middle supports. These will help prevent wear between the wood supports and metal shelf.



12a

Position the media console shelf

Place the media console shelf
down so it rests on the center
wood supports.

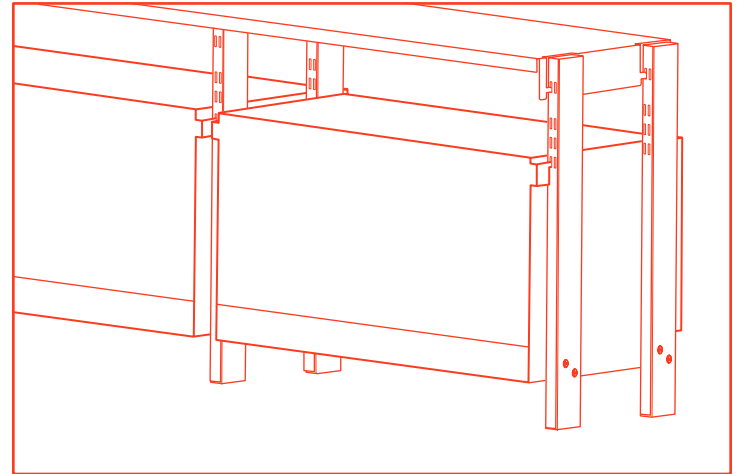


12b

Attach the media console shelf

From behind, insert the hooks on the media console shelf into the slots in the metal tracks on the back of the four outer wood supports.

Note: Make sure all four hooks on each shelf are inserted into the slots in the metal tracks on the wood supports.



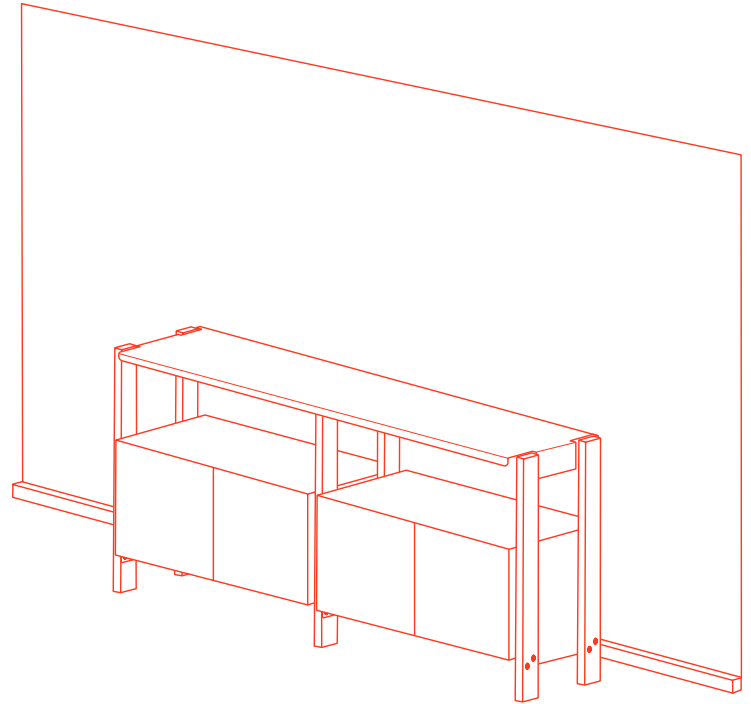
13

That's it!

Place the fully assembled shelf unit against the wall.

Don't be shy – we'd love to see your shelf's new home!

**@floyddetroit
#thefloydshelf**



Media Console

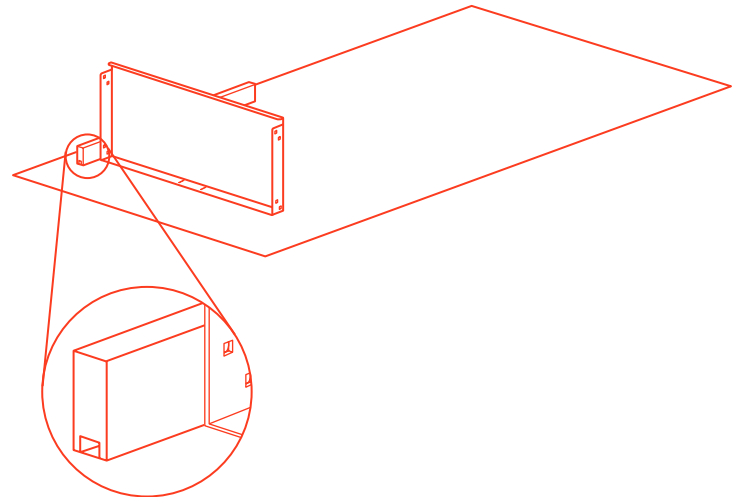
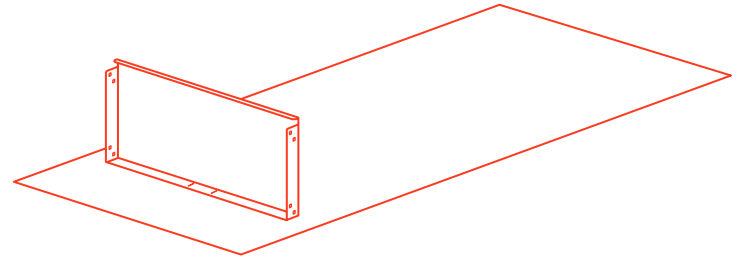
Two Shelves,
one cabinet

1

Position the first fixed shelf

Place the fixed shelf with its back edge on the floor and have a friend hold in place. Align the holes on the wood supports to the holes on the fixed shelf. The metal plate on the wood supports should be facing the ground.

Note: To identify the bottom of the vertical, look for the end that has a notchcut out in the wood.

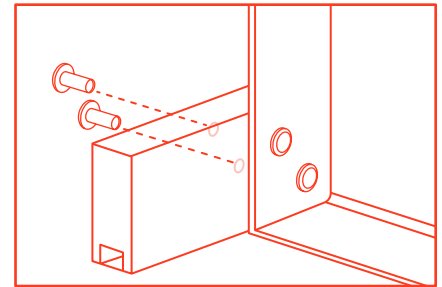
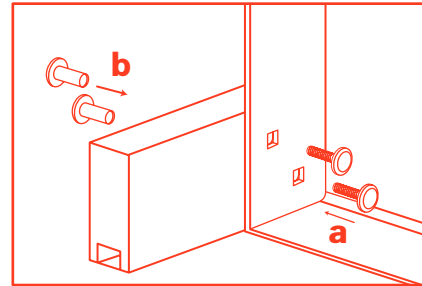


2a

Begin to attach the first fixed shelf

Insert two bolts through the square holes in the fixed shelf (a) and until they are fully inserted. Next, insert the nuts (b) through the holes in the wood and begin to tighten them to the bolts by hand.

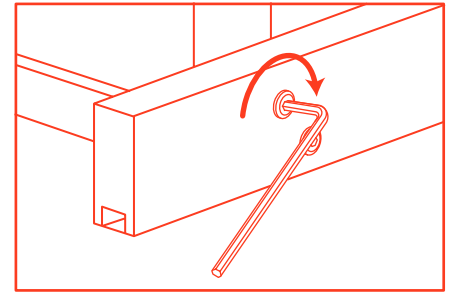
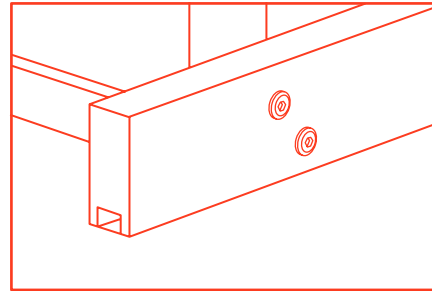
Note: It may be easier to get the bolts engaged with the nuts by using your hands to turn the nuts first.



2b

Tighten fasteners to secure the fixed shelf to the wood supports

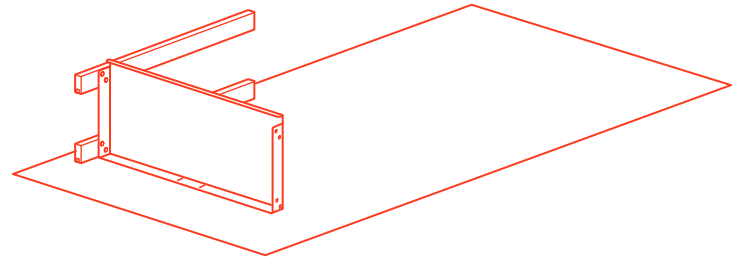
Finish tightening the nuts with the hex tool. The bolt should stay in place, but may need to be pressed to hold in place when tightening the nut.



3

**Attach
front wood
support.**

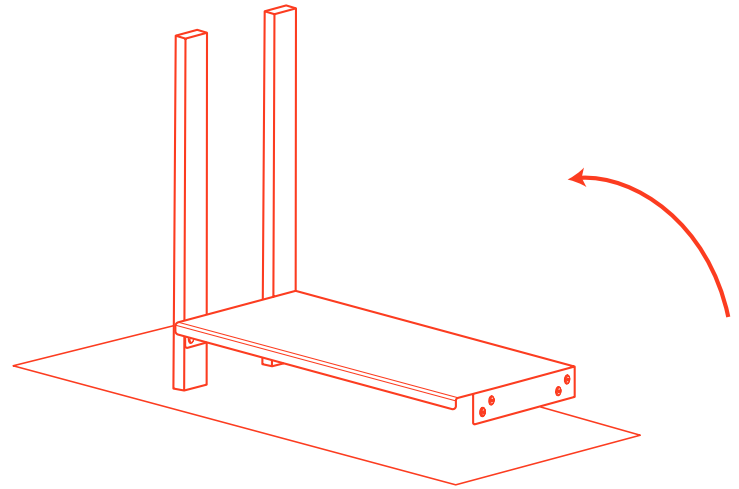
**Repeat step 2 for the front
wood support.**



3

Stand the assembly upright

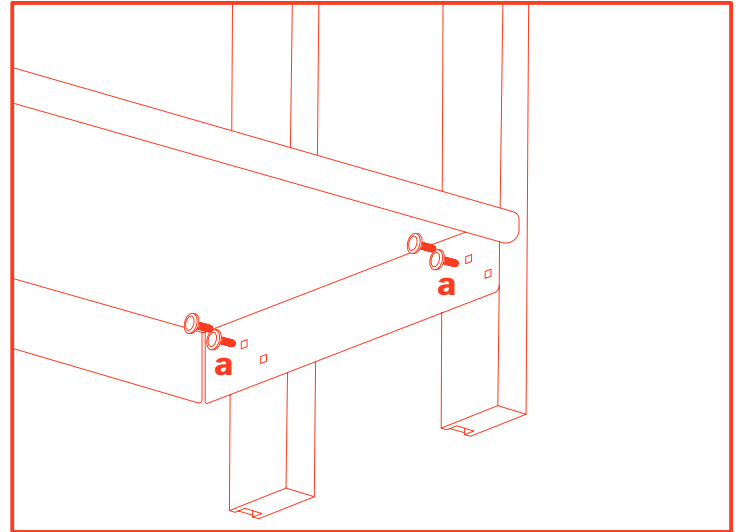
Stand the fixed shelf and wood supports upright. Have a friend help hold them in place while you get the next two wood supports and the cabinet.



4

Insert the bolts

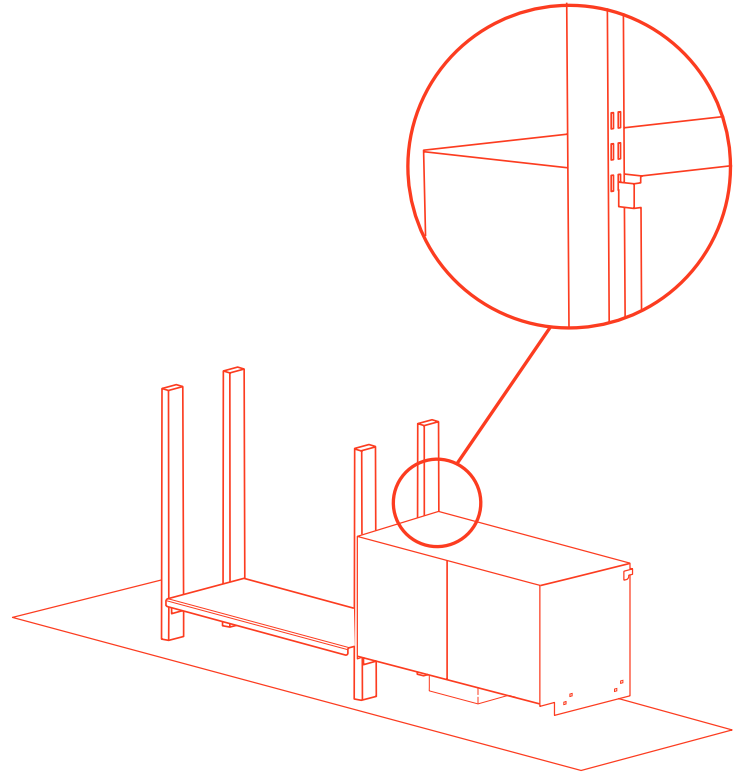
Have a friend hold the middle wood supports while you insert the bolts through the bottom edge of the cabinet.



5

Place the cabinet

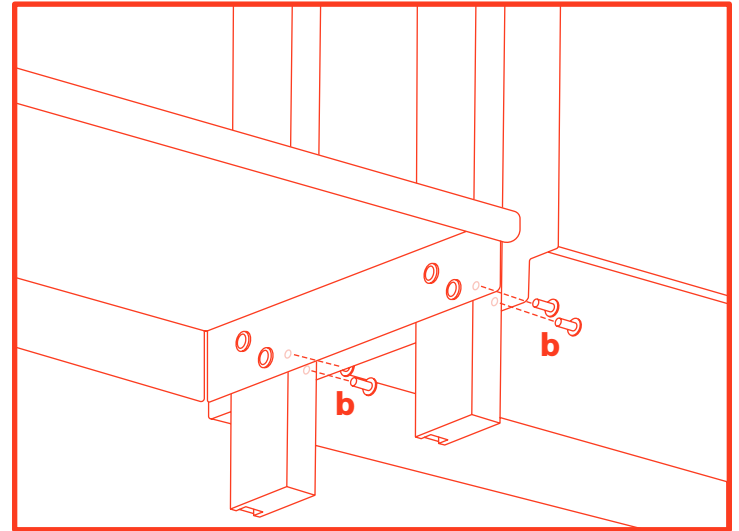
Place the cardboard assembly box on the floor then carefully set the cabinet down so it rests on the box. Place the hook on the cabinet into the bottom slot of the metal track on the back of the wood support.



6

Tighten the fasteners

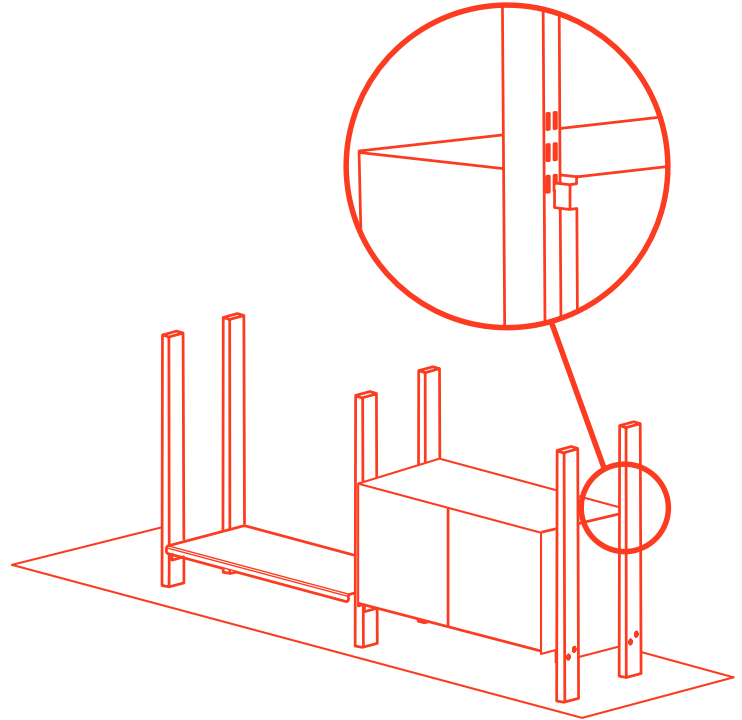
Insert the nuts through the square holes on the bottom edge of the cabinet and begin tightening by hand. Finish tightening with the hex tool.



7

Attach front wood supports to cabinet

Repeat step 2 with the back right and front right wood supports. Since there is no hook for the front wood support, have a friend hold it in place while you tighten the fasteners.

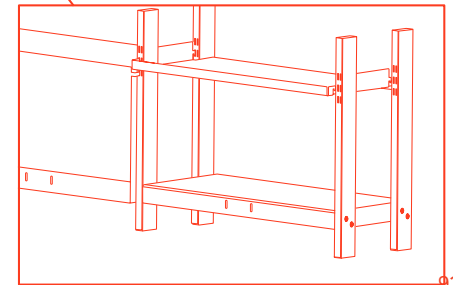
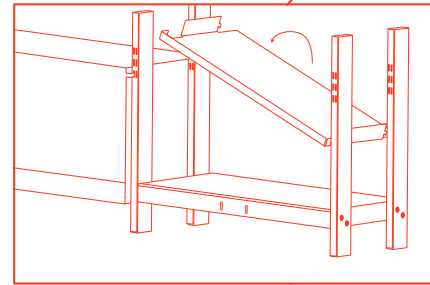
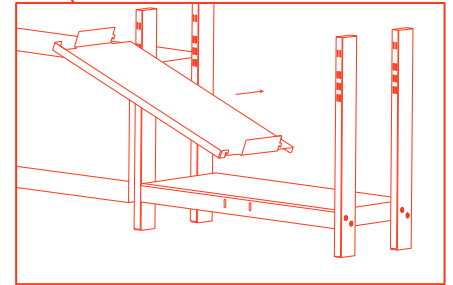
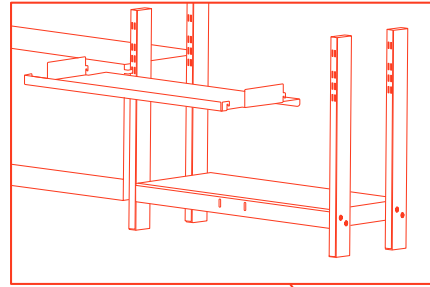


8

Add the shelf

To attach the shelf, insert it from the back at a 45 degree angle. Rotate the shelf parallel to the floor so that the tall side flanges of the shelf are in between the wood supports. Insert the hooks on each shelf into the slots in the metal tracks on the back side of each wood support.

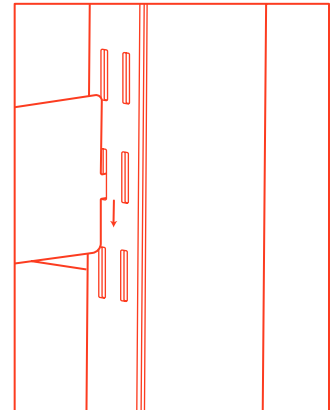
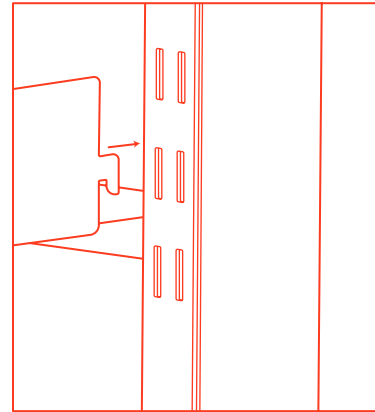
Note: Make sure all four hooks on each shelf are inserted into the slots in the metal tracks on the wood supports.



9

Adjust the shelf (optional)

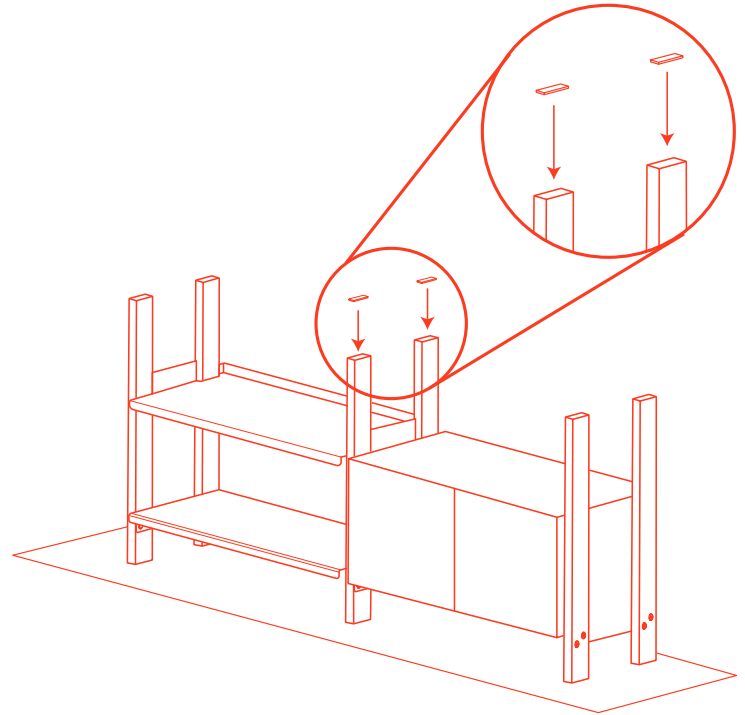
The shelf spacing is adjustable. With each shelf attached to the middle slot, the shelves will be evenly spaced. To increase or decrease shelf spacing, insert the hooks on the shelves into the slots above or below the middle slots.



10

Place felt pads on middle supports

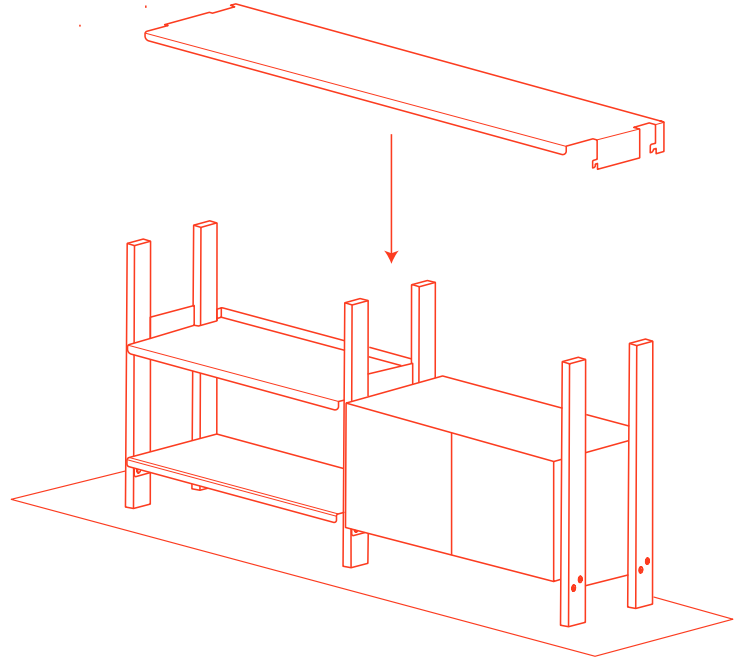
Take two felt pads from the assembly components box and attach them to the tops of the two middle supports. These will help prevent wear between the wood supports and metal shelf.



11a

Position the media console shelf

Place the media console shelf down so it rests on the center wood supports.

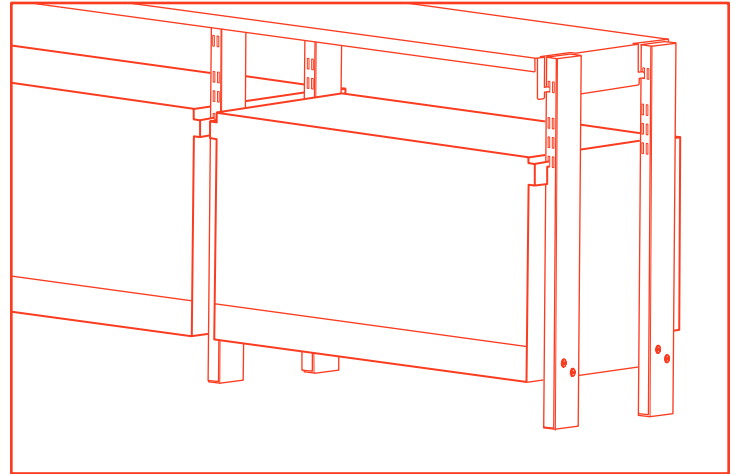


11b

Attach the media console shelf

From behind, insert the hooks on the media console shelf into the slots in the metal tracks on the back of the four outer wood supports.

Note: Make sure all four hooks on each shelf are inserted into the slots in the metal tracks on the wood supports.



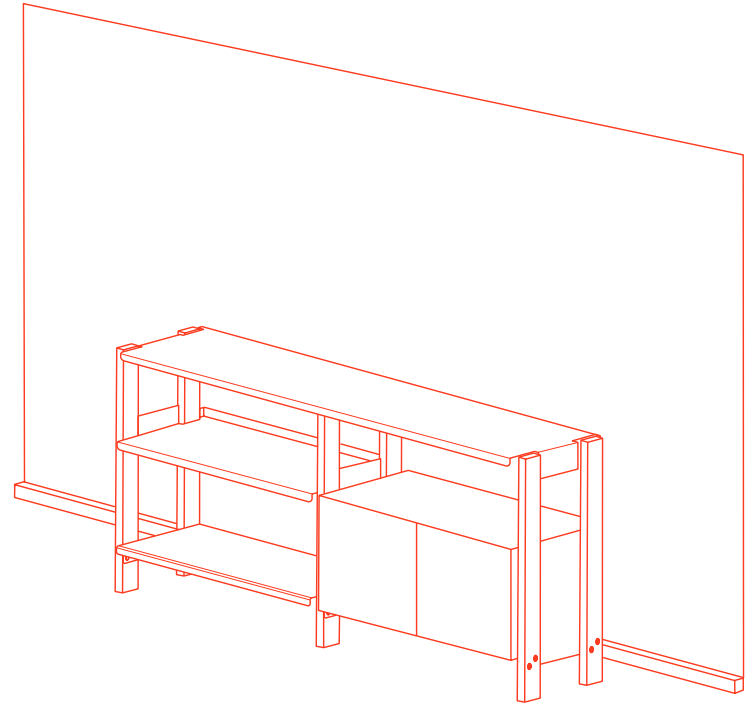
12

That's it!

Place the fully assembled shelf unit against the wall.

Don't be shy — we'd love to see your shelf's new home!

**@floyddetroit
#thefloydshelf**





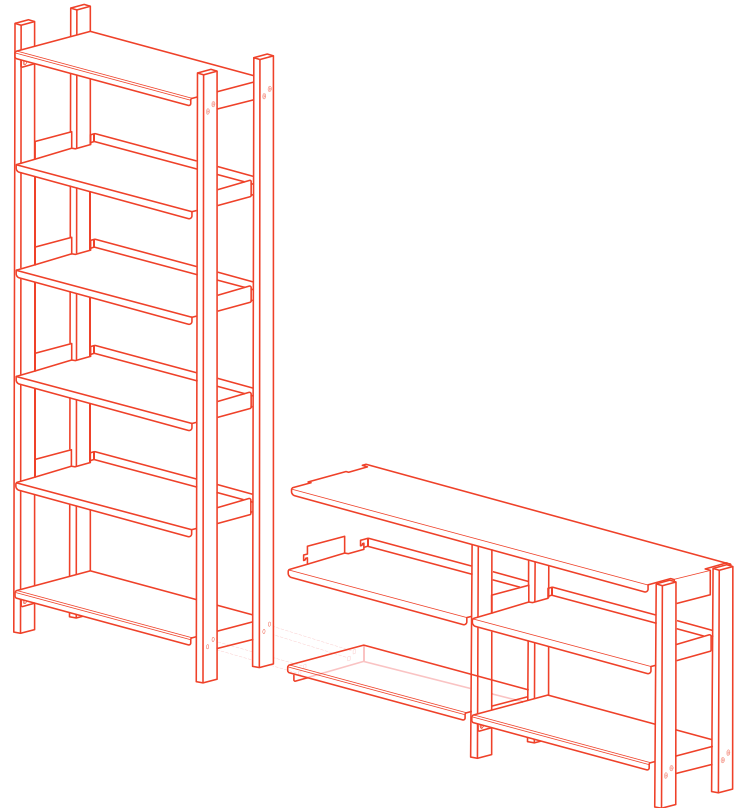
Expanding a Tall Shelf with a Media Console?

First, choose which side you wish to attach the additional tall shelf with a media console to. Release the fasteners on the top fixed shelf and attach the new fixed shelf to the center wood supports before releasing the fasteners on the bottom fixed shelf. Then attach the media console to the center wood supports with the first bottom fixed shelf.

After tightening all fasteners, add the new shelves from the back.

Note: When adding a tall shelf with a cabinet to an existing shelf, or when assembling two together, the shelf units will share two center wood supports and the fasteners used to attach the fixed shelves to the center wood.

Follow the instructions for set up as you would for a complete unit but for only one side.





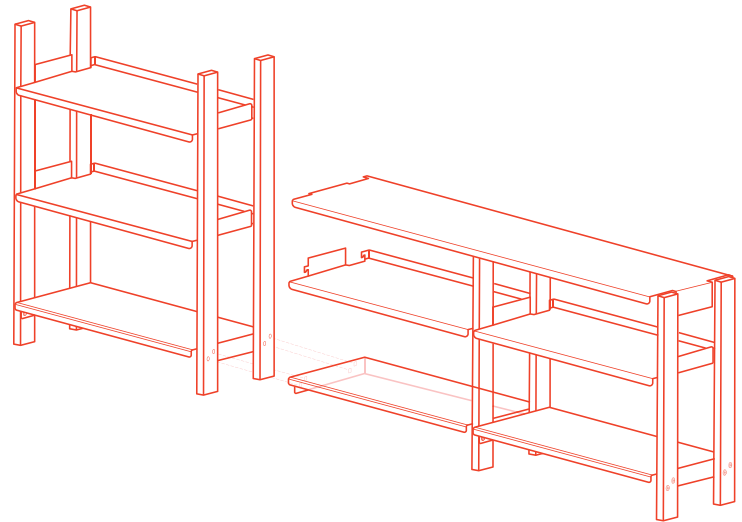
Expanding a Short Shelf with a Media Console?

First, choose which side you wish to attach the additional short shelf with a media console to. Release the fasteners on the bottom fixed shelf and attach the media console to the center wood supports with the first bottom fixed shelf.

After tightening all fasteners, add the new shelf from the back.

Note: When adding a media console to an existing shelf, or when assembling two together, the shelf units will share two center wood supports and the fasteners used to attach the fixed shelves to the center wood.

Follow the instructions for set up as you would for a complete unit but for only one side.



WARNING

READ ALL INSTRUCTIONS **BEFORE** ASSEMBLY & USE. ADULT ASSEMBLY REQUIRED.
KEEP SMALL PARTS AND PACKAGING AWAY FROM CHILDREN.

NOTES ON USE:

Keep children and others safe by following these simple rules:

Do not allow any child to play on furniture

Do not allow climbing on any piece of furniture

Do not allow hanging from any piece of furniture

ASSEMBLY:

Use extra caution when assembling and have someone assist you. Do not change the specifications or modify this product. Incorrect assembly can cause product to fail and cause personal injury. Double check that all fasteners are tightened before use.

FURNITURE TIP-OVER:

Children have died from furniture tip-over.

To reduce the risk of furniture tip-over:

- Place heaviest items in the lowest shelves.
- Never allow children to stand, climb, or hang on shelves.

NOTE: If you are unsure about your wall type or what mounting method you should use, consult a qualified professional or your local hardware store.

USAGE:

Remove all packaging before first use. Check fasteners occasionally to make sure all connections are secure, and re-tighten if necessary. Only meant for indoor use. Only place The Shelving System on the floor against a wall. Disassemble before moving. The maximum weight limit per shelf is 65 lbs (29 kg). The maximum weight limit for the Cabinet is 130 lbs (59 kg) distributed between the interior of the cabinet and the top surface area. The maximum weight limit of the Media Console shelf is 65 lbs (29 kg). The maximum weight limit for the wardrobe bar is 50 lbs (22 kg). Do not exceed these weight limits. Inspect fastener connections and wall anchor system regularly for signs of wear. Replace if metal parts are worn, bent, rusted, deformed, or damaged. The components included with the Shelving System are only intended for use with the Floyd Shelving System. Failure to observe recommended practices such as loading beyond capacities can result in unsafe conditions and product damage or personal injury.

CARE:

Metal shelves and wood supports can be dusted with a clean, soft, dry and lint free cloth. Spills can be cleaned with a damp rag. Hardware can loosen over time.

CONTACT

Have a question,
comment, or suggestion?
Just want to say hi?

hello@floydhome.com

VISIT

The Floyd Shop
1948 Division St. Suite 101
Detroit, MI 48207

FLOYDHOME.COM

FLOYD

FLOYDHOME.COM