

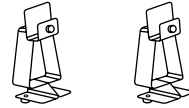
**Headboard**

**FLOYD**

# Components

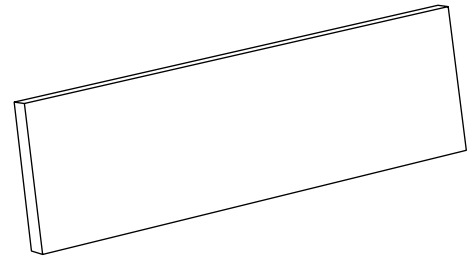
---

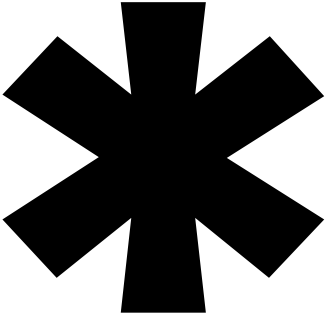
**2x**      **Brackets**



---

**1x**      **Headboard panel**



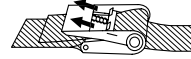


## Just adding the headboard?

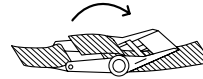
**If you already have a Floyd bed and are just adding the headboard:**

- A** Loosen the strap on the bed frame (just a few inches).
- B** Separate the bed panels a few inches.
- C** Continue to step 1

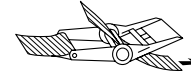
**A**



Pull and compress release bar.

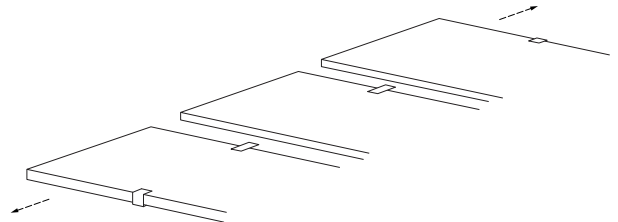


Keeping release bar compressed, open ratchet all the way.



Continue to hold release bar and pull strap down until it loosens.

**B**

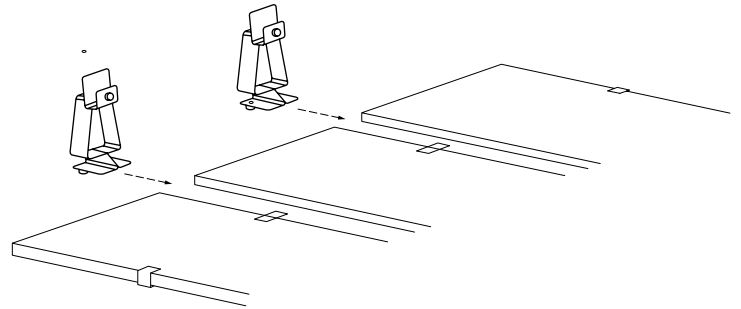


# 1

## Insert the brackets

**Insert the headboard brackets between panels. Brackets should be 2" from the ends of the panels.**

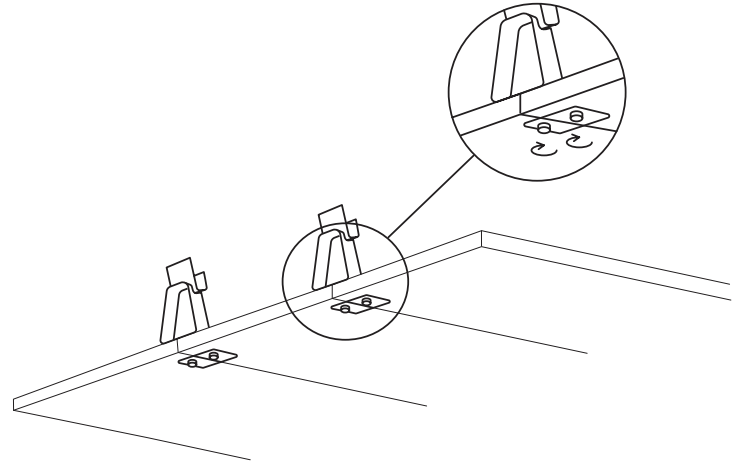
**If you are setting up a king Floyd bed headboard, attach the headboard brackets between the two outermost panels.**



# 2

## Tighten the fasteners

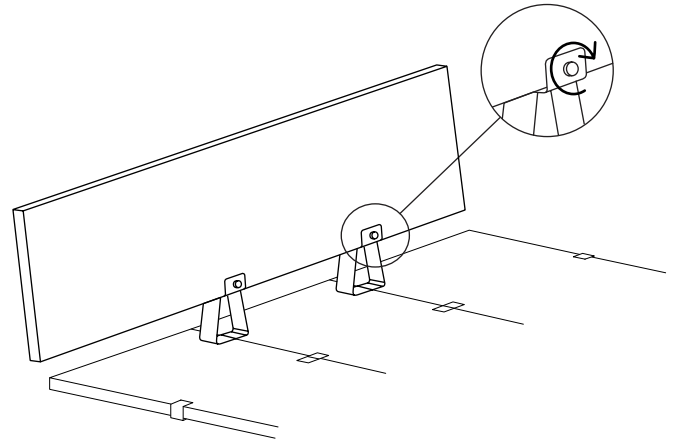
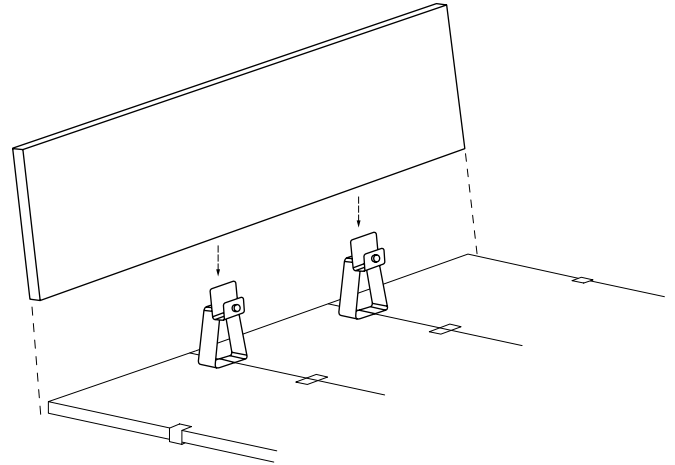
Hand-tighten the two  
fasteners on the bottom of  
each headboard bracket.



# 3

## Insert the headboard & tighten

Set headboard panel in brackets, making sure the ends of the panel align with the bed platform. Then tighten fasteners on both brackets to secure headboard panel in place.



# 4

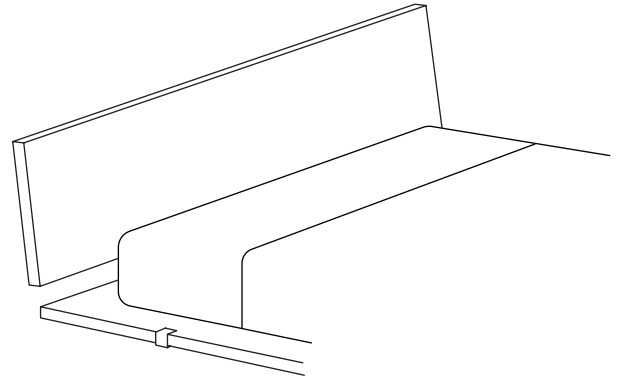
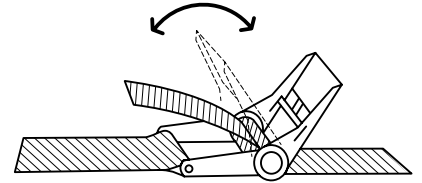
## Re-tighten the strap

Don't forget to tighten the strap at the head of your bed to hold everything in place.

Then you're all done!  
Don't be shy—we'd love to see your bed's new home!

@floyddetroit  
#thefloydbed

To tighten strap, crank ratchet back and forth until strap is taut.



## **⚠ WARNING**

### **ASSEMBLY:**

Only assemble as shown in these instructions. The Floyd Headboard should only be used with the Floyd Platform Bed Frame. Use extra precaution when assembling and have someone assist you. Do not change the specifications or modify this product. Incorrect assembly can cause product to fail and cause personal injury.

### **USAGE:**

Remove all packaging before first use. Only use with the Floyd Platform Bed Frame. Use only indoors. Disassemble before moving. Do not sit on the top of the Headboard panel. Keep open flames such as candles away from the Headboard panel. Inspect metal brackets regularly for signs of wear. Replace if brackets are bent, rusted, deformed, or damaged. Failure to observe recommended practices such as sitting on the top of the panel can result in unsafe conditions and product damage or personal injury. Do not allow children to play with product or components. Keep all packaging and parts away from children. There is a risk of choking and suffocation.

## **CONTACT**

Have a question,  
comment, or suggestion?  
Just want to say hi?

[hello@floydhome.com](mailto:hello@floydhome.com)

[FLOYDHOME.COM](http://FLOYDHOME.COM)

Visit the Floyd Shop

The Floyd Shop  
1948 Division St. Suite 101  
Detroit, MI 48207



**FLOYD**

**FLOYDHOME.COM**