

**Jarvis
Standing
Desk**

FLOYD

CAUTIONS:

Please read this manual carefully. If this desk changes hands, please provide this manual to the new owner.

Make sure the desktop is not touching any obstacles or walls and that no obstacles are in the desk's path. Make sure all cords are an appropriate length to accommodate the full range of height adjustment.

Keep children away from desk components. There is risk of injury and electric shock.

Do not sit or stand on the desk frame. Do not crawl or lie under the desk frame.

Do not open or modify any of the components, include the Lifting Columns, Control Box or Handset. Doing so risks electric shock and voids any warranty claims.

Placing objects taller than 20" underneath the desk will obstruct the desk's movement and may result in physical damage.

VOLTAGE CONVERTERS:

Using a voltage converter could cause damage to the desk and is considered improper use. Resulting damage is not covered by the warranty.

Verify the voltage of the Control Box as labeled to avoid damage. Alternate voltage Control Boxes are available from Fully.

USE & LIABILITY:

This Jarvis height adjustable desk has electric motors and is designed for use in dry work environments only.

This Jarvis desk is adjustable so it can be positioned at an optimal ergonomic height. Any extracurricular use is at user's own risk.

Under no circumstances does the manufacturer accept warranty claims or liability claims for damage caused by improper use or handling of the desk frame.

Jarvis is registered trademark of Fully, LLC. All rights reserved.

BEFORE STARTING:

On a padded or carpeted area, take all of the items out of your Jarvis frame box and confirm that nothing is missing. (Reference the included parts listing on the next page.)

SPECS:

Height Range (w/o desktop)	24.5" - 50"
Travel Speed	1.5" per second
Operating Noise	<50db w/o top
Load Capacity	1000N
Duty Cycle	10% with max 2 mins on
Frame Width Min-Max	42.5" - 74"

Components

2x **Lifting Column**



1x **Frame End**
(w/ Capture Plate)



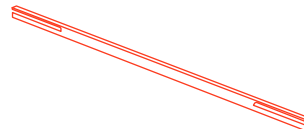
1x **Frame End**



2x **Foot**



2x **Center Rail**



Components Cont.

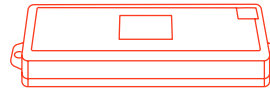
1x Right Side Bracket



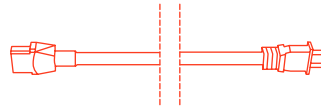
1x Left Side Bracket



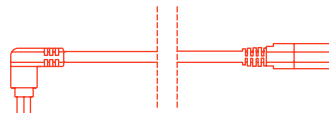
1x Control Box



1x Power Cable

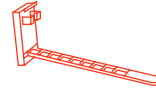


1x Leg Cable

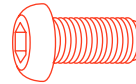


Components Cont.

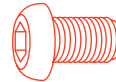
10x **Cable Clip**



12x **Media Machine Screw**



8x **Small Machine Screw**



8x **Medium Set Screw**
(Pre-Installed)



5x **Noise Attenuation**
(extra) **Grommet**

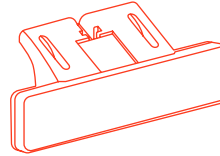


Components Cont.

9x Desktop Washer



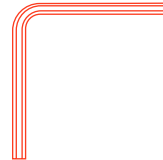
1x Memory Handset



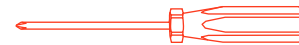
1x 3mm Hex Wrench



1x 4mm Hex Wrench



**Not Included
Phillips Screw Driver**

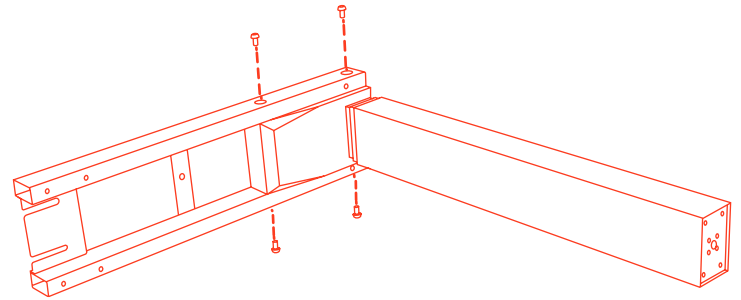





1

Insert one of the Lifting Columns (either one; they're identical) into the Frame End with the Capture Plate.

To Secure the Frame End to the Lifting Column, thread four (4) of the Small Machine Screws into the holes as shown, but do not tighten them all the way.

Once all four screws are in place, tighten completely.



1x	Lifting Column	
1x	Frame End (w/ Capture Plate)	
4x	Small Machine Screws	

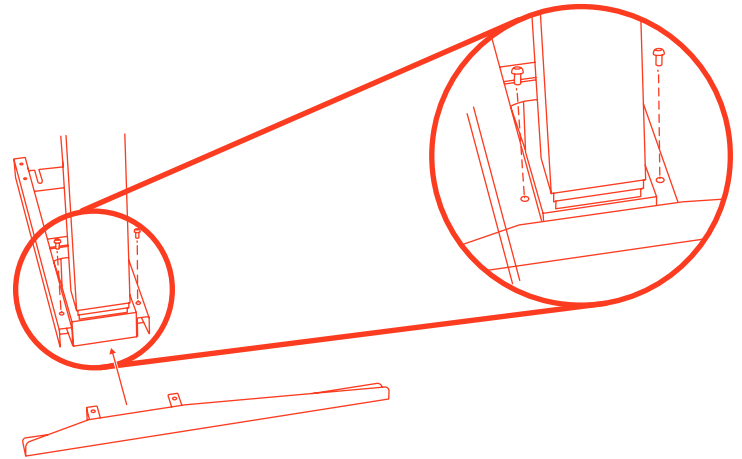
2

Decide if you want your Handset on the left side or the right side of your finished desk.

Select the Left or Right Side Bracket (corresponding to the side your Handset will be mounted on). The two tabs on the Side Bracket will slot into the Frame End with the Capture Plate, around the Lifting Column.

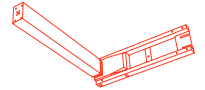
Use two of the Medium Machine Screws to secure the Side Bracket. As before, don't tighten all the way until both screws are in place and then tighten completely.

Repeat **Steps 1-2** for the remaining Lifting Column, Frame End and Side Bracket.



1x

Step 1 Assembly



1x

Left or Right Side Bracket



2x

Medium Machine Screws

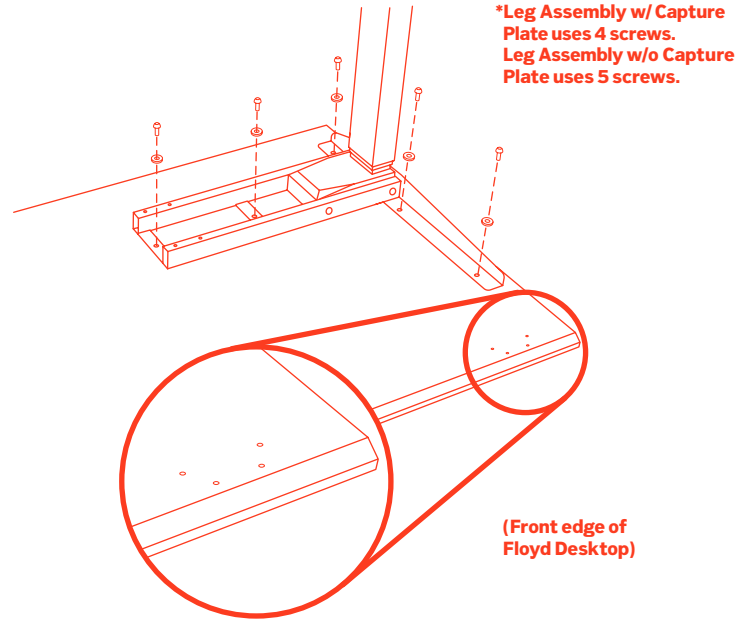


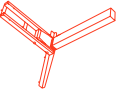



3

Lay your desktop on a padded surface with the underside facing up, and the front of the desktop towards you.

Place the Left Leg Assembly on the desktop to the right, with the Frame End pointing towards the center of the top. (Once you flip your desk over, this will become the left side, and the world will make sense again.)

Insert all screws part way. Once they are all in place, tighten them all completely.

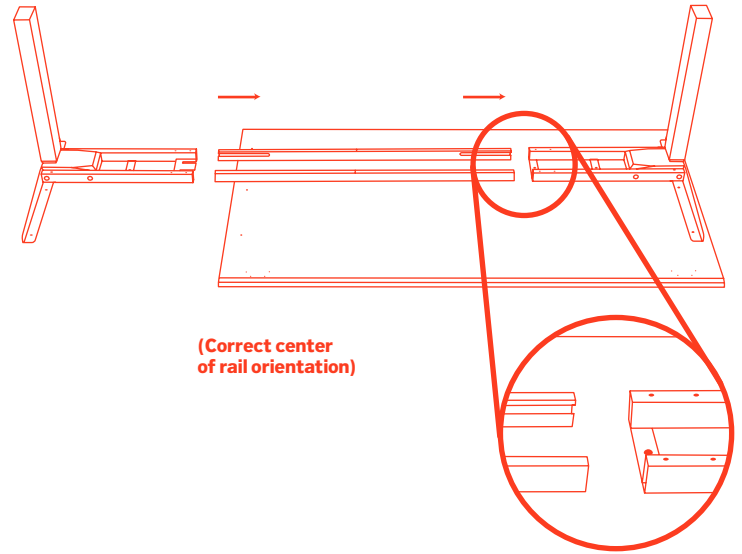


1x	Step 2 Assembly	
1x	Floyd Desktop	
4x/5x*	Desktop Machine Screws	
4x/5x*	Desktop Washer	

4

Slide the Center Rails into the Frame End attached to the desktop, so that the midpoint mark is facing up and the cut-out slots are facing inwards.

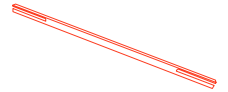
Slide the Right Leg Assembly onto the other end of the Center Rails (your left-hand side). The entire frame should now fit onto the desktop.



**(Correct center
of rail orientation)**

2x

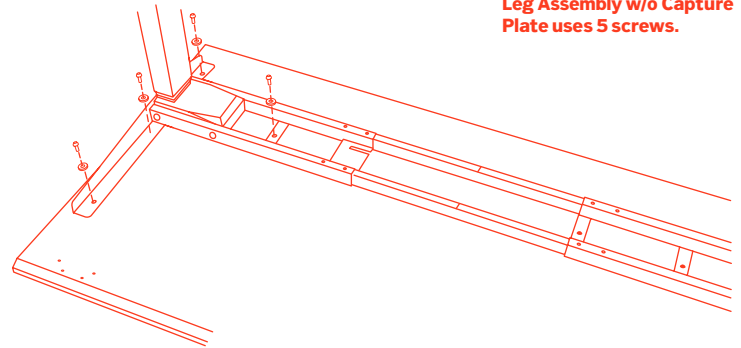
Center Rail



5

Secure the Right Leg Assembly to the desktop with the appropriate screws.

Insert all screws part way. Once they are in place, tighten them completely.



***Leg Assembly w/ Capture Plate uses 4 screws.
Leg Assembly w/o Capture Plate uses 5 screws.**

4x/5x*

Desktop Machine Screws



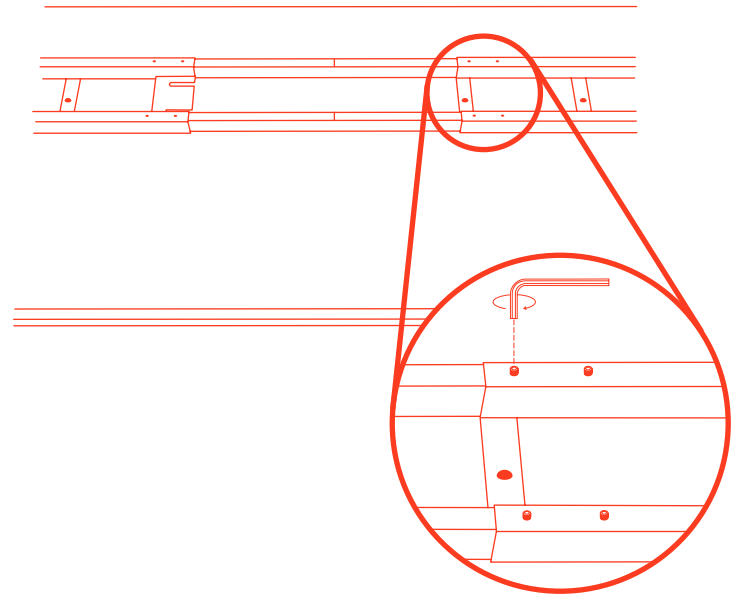
4x/5x*

Desktop Washer



6

Center the labeled midpoint marks on both Center Rails between the two Frame Ends, and use the pre-installed Set Screws to lock the Center Rails down firmly.



8x

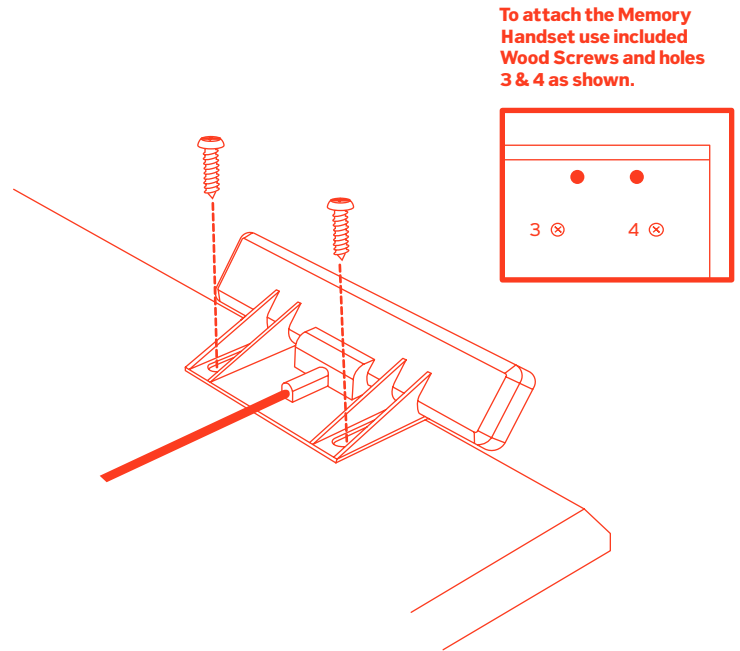
Medium Set Screw
(Pre-Installed)



7

The Floyd Desktop comes with pre-drilled holes for attaching your Handset along the front of the desktop, on both the left and right sides. Keep in mind that when you turn your desk over, the sides of your desk will be reversed.

If you haven't already, now is a great time to decide which side you want your Handset on.



2x

Wood Screw



1x

Memory Handset

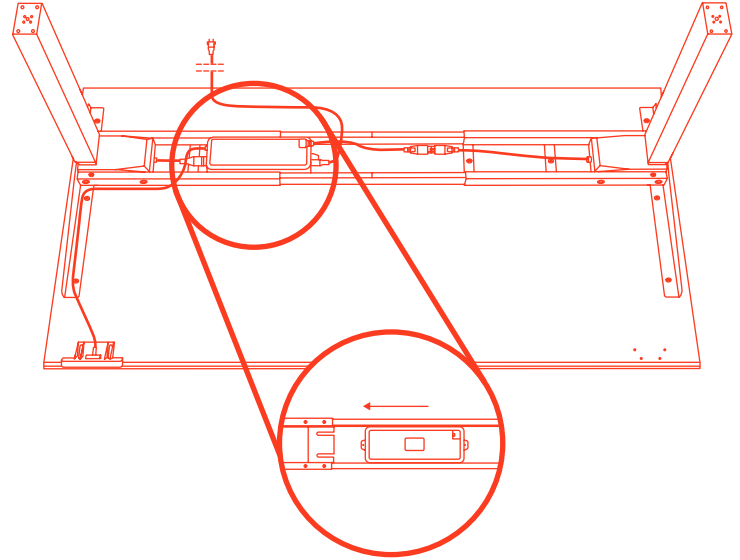



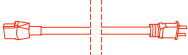
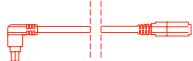
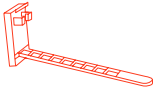
8

PRO TIP:
Cable Management Cable Clips work best adhered directly to the Jarvis metal frame. Route your Power Cord & Leg Cable towards the side of your nearest wall outlet, or use a cable management tray for optimal cable taming.

Slide the Control Box onto the Frame End with the Capture Plate.

Connect the cables from both legs to the Control Box via the sockets labeled M1 & M2. Connect the Handset to the Control Box via the socket labeled HS. Connect the Power Cable via the power socket.

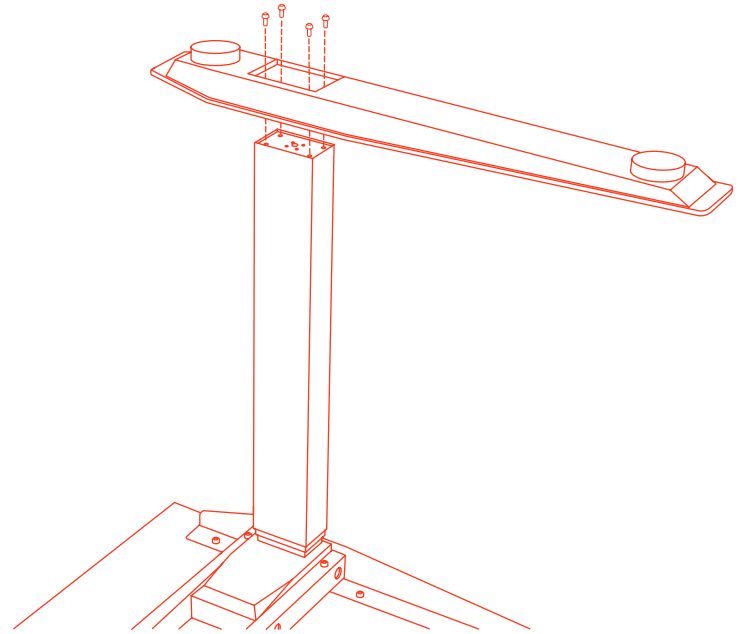


1x	Control Box	
1x	Power Cable	
1x	Leg Cable	
10x	Cable Clip	


9

Loosely attach a Foot to the bottom of each Lifting Column using four (4) Medium Machine Screws per Foot.

Once all screws are in place, tighten them down the rest of the way in an X pattern.



2x Foot 

8x Medium Machine Screw 

10

Double-check that all screws everywhere on the desk are tight. Triple-check that all screws everywhere on the desk are tight.

11

With one friend (or more), lift the desk and gently flip it onto its feet. As you flip it support both the top and the frame, being careful not to put weight on the Handset.

Adjust the pre-installed leveling glides on the feet as needed,

Plug in the desk.

12

Before you start using your Jarvis, you'll need to get all the parts synced.

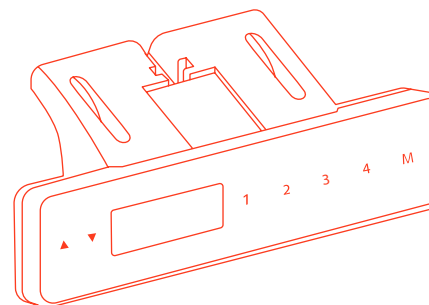
Don't worry—it's easy.

PROGRAMMABLE MEMORY HANDSET

1. Press and hold ▼ the icon until Jarvis reaches its lowest position. Release.
2. Press and hold ▼ the icon until the display reads **RESET**.
3. Press and hold ▼ the icon again, this time until Jarvis first lowers slightly, then rises slightly, and finally stops. Release the ▼ icon.
4. You can now use your Jarvis Frame.

PROGRAMMING MEMORY PRESETS

To program your memory presets, raise or lower your Jarvis to your preferred height. Then, press the **M** icon followed by one of the four numbers you want to preset. This number will return Jarvis to your preferred height from now on.

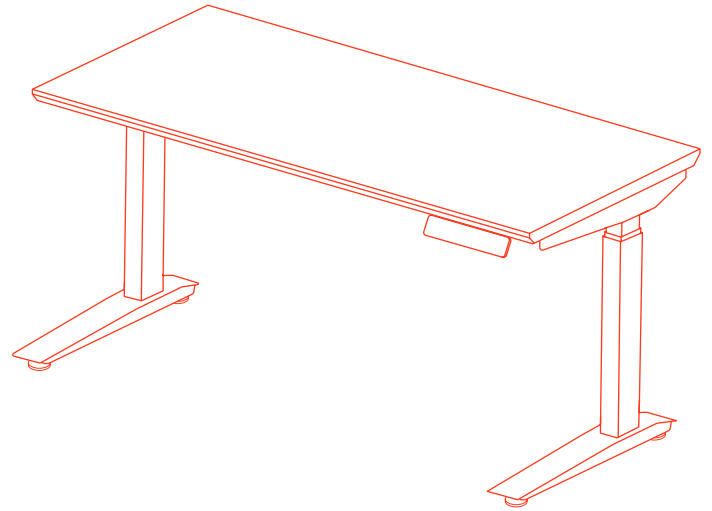


13

All done!

**Now, don't be shy—
we'd love to see your
table's new home!**

**@floyddetroit
#thefloydtable**



Custom Settings for Programmable Memory Handset

GETTING STARTED

To begin, access the menu by holding down **M** for 3 seconds until Lock/Unlock desk appears on screen. Use the ▲ and ▼ icons to navigate through the menu. '1' selects the feature you want to change and also confirms your selection. '4' takes you back to the main menu.

LOCK/UNLOCK JARVIS

To lock Jarvis and prevent any further changes to the height or menu settings use **Lock**. **Unlock** will allow you to once again use all of Jarvis's features.

MAX HEIGHT

If you want to limit how high your Jarvis can go, set a **Max height** limit. Simply raise Jarvis to the desired maximum height and navigate to **Max height** on the menu, then press '1' to confirm.

MIN HEIGHT

To limit how low your Jarvis can go, set a **Min height** limit. Move Jarvis to the desired minimum height and navigate to **Min height** on the menu, then press '1' to confirm.

UNITS

Prefer to work in centimeters instead of inches? Choose the unit of measurement you'd like under the **Units** menu option.

ANTI-COLLISION

To help prevent damage, Jarvis is outfitted with an accelerometer that stops it if it runs into something. You can set the sensitivity with the anti-collision options.

SCREEN BRIGHTNESS

Adjust the screen brightness on your memory handset to the level that suits you and your eyes.

BUTTON BRIGHTNESS

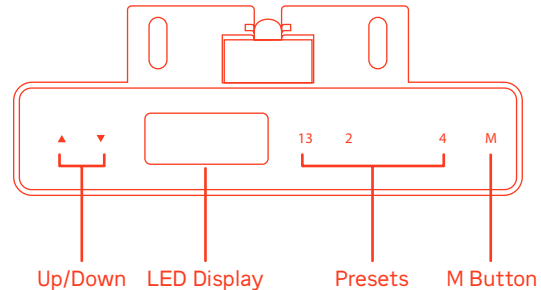
You can also adjust the button brightness on your memory handset. Choose from 3 different brightness levels to help you navigate through your presets and menu options.

MEMORY PRESET MODE

Use **One touch** to move your Jarvis to a memory preset height with the touch of a button, or use **Constant touch** and keep your finger on the button until Jarvis gets to the memory preset height.

CALIBRATE HEIGHT

To calibrate your handset's height display, lower Jarvis all the way down and then use a tape measure to determine the height from the top of your desktop to the floor. Select the **Calibrate height** menu option and use the ▲ and ▼ icons to adjust the height readout to match your previously measured height.



WARNING

READ ALL INSTRUCTIONS **BEFORE** ASSEMBLY & USE. ADULT ASSEMBLY REQUIRED.
KEEP SMALL PARTS AND PACKAGING AWAY FROM CHILDREN.

NOTES ON USE:

Keep children and others safe by following these simple rules:

Do not allow any child to play on furniture

Do not allow climbing on any piece of furniture

Do not allow hanging from any piece of furniture

ASSEMBLY:

Use extra caution when assembling and have someone assist you. Do not change the specifications or modify this product. Incorrect assembly can cause product to fail and cause personal injury. Double check that all fasteners are tightened before use. Have someone assist you when flipping over The Table after assembly.

USAGE:

Remove all packaging before first use. Check periodically that all fasteners are securely tightened. Be aware that fasteners may become loose with prolonged use. Only meant for indoor use. Do not drag the legs across flooring. The legs and tabletop are not intended to be used with other components and should only be used together as a system. For the Floyd Side Table, do not load with more than 200 lbs (90 kg). For the other Tables, do not load with more than 150 lbs (68 kg). Do not stand on the Tables. Standing or leaning on the Tables may cause risk and personal injury. The Tables should only be used with all legs firmly set on level ground. Inspect fasteners and metal legs regularly. Replace if fasteners are damaged or if metal parts are worn, rusted, bent, deformed or damaged. Do not attempt to detach legs while table is upright/standing. Use caution when moving or flipping the table over. Failure to observe recommended practices such as loading beyond weight capacity can result in unsafe usage conditions and product damage or personal injury.

CARE:

For the birch table surface, the tabletop is finished in a water-based clear coat. For daily cleaning, use a damp cloth with a dab of dish soap or vinegar. For anything tougher, use vinegar diluted in water. Wipe the table dry after cleaning, and never let standing water remain on the surface for an extended period of time.

For the linoleum table surface, routine cleaning is best done with 1 part dish washing liquid (such as Dawn, etc.) to 1 part water. Do NOT use window/glass cleaner or other harsh cleaning supplies on the surface, as this could damage or warp the linoleum. For minor scuffs, use Linseed Oil (boiled or unboiled), which can be found at your local hardware store, or online. Apply the oil directly to the affected area and let sit for 5 minutes. Then, using a damp cloth, buff the area in a circular motion. Allow the area to dry completely before using. You may need to reapply and repeat this process a few times to fully remove blemishes.

For either surface type, potted house plants may leave water marks on the table if left for an extended period of time. We suggest using watertight pots or plastic drainage trays and frequently cleaning the area under the pot. The surfaces are made from natural materials and as such may fade over time in direct sunlight.

FT-IC-INSTR

CONTACT

Have a question,
comment, or suggestion?
Just want to say hi?

hello@floydhome.com

VISIT

The Floyd Shop
1948 Division St. Suite 101
Detroit, MI 48207

[FLOYDHOME.COM](http://floydhome.com)

FLOYD

FLOYDHOME.COM