



## Description

K-array's flagship series, Mugello consists of incredibly flat and lightweight solutions that boast impressive power, intelligible control and high quality performance.




Equipped with Slim Array Technology, the Mugello loudspeakers have a minimal footprint and their compact design allows for a better impulse response and K-array's Electronic Beam Steering technology gives the Mugello line ability to digitally direct the dispersion of the sound beams to ensure the same listening experience to all the audience.

Other important features include an onboard touch screen, various stacking and hanging positions, weather resistance and integrated DSP with multiple

analog and digital inputs. And with the K-dante accessory, the system can be used in Dante network.

The Mugello-KH2 is the smallest mid-high line array element offered in our flagship line. The self-powered speaker is comprised of two 8" neodymium magnet woofers each with a 2.5" voice coil and two compression drivers with a 2.5" voice coil each.

Small in size, the Mugello-KH2 delivers a really large sound, ensuring exceptionally high performance with a peak SPL of 136 dB. Measuring at 73,5x28,5x20,0 cm, this compact speaker is a perfect solution for applications in intimate concert halls, theaters and clubs.

Colors		Features			Frequent Applications	
Black		Slim Array Technology (SAT)	Onboard Touch Screen		Concerts & Live Events	Theme Parks
White		Electronic Beam Steering (EBS)	Weather Resistant		Theaters & Auditoriums	Large Congregations
Custom		Dante Compatible	Remote Setup and Monitoring		Stadiums & Sport Venues	Nightclubs

Accessories					
K-HCBASE2	K-DANTE	K-HCDOLLY2	K-HCFLY2	K-HCFLYST2	K-HCLINK2/35

## Technical Specifications

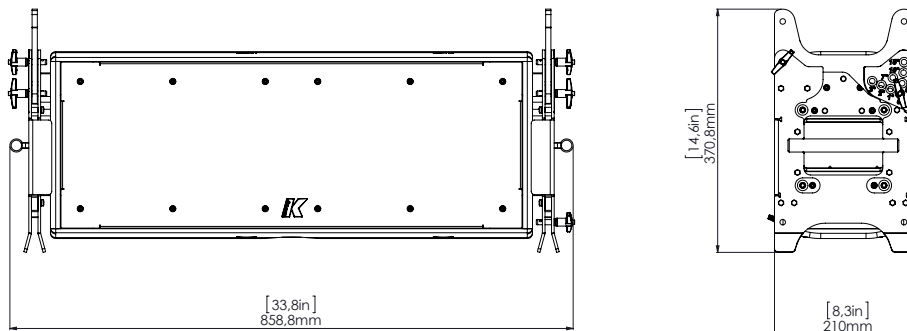
General	
Type	Line array element
Transducers	2x 8" neodymium magnet woofer with 2.5" voice coil 2x compression driver with 2.5" voice coil
Frequency Response <sup>1</sup>	120 Hz – 19 kHz (-6 dB)
Maximum SPL <sup>2</sup>	136 dB (peak)
Coverage	110° horizontal; 20° vertical (preset dependent)

Internal Processing	
Input Sample Rate and Resolution	Up to 96 kHz @ 24 bit with internal SRC and jitter correction
Built-in DSP	Input gain, delay up to 330 ms, 8 full parametric IIR filters (Peaking, Shelving, Hi/Lo pass, Hi/Lo Butterworth), FIR filter for electronic beam steering Onboard preset, Level and temperature remote monitoring

Internal Amplifier Module	
Type	2-ch., switch mode, class D
Peak Output Power	2x 1000 W @ 8 Ω 1% THD+N <sup>3</sup>
Operating Range	100-240V AC, 50-60 Hz with PFC
Power Consumption	300 W @ 8 Ω load, Pink noise 1/8 rated power
Protections	Over Temp. (Power Limiting – Thermal Shutdown), Short Circuit/Overload Output Protection, Power Limiting, Clip Limiter/Permanent Signal Limiter, High Frequency Protection
Mains Connector	powerCON with link inlet

Controls and Connectivity		
Controls	Remote control with dedicated PC software via USB or RS485. Onboard touch screen display.	
Connectivity	Analog: 2x XLR (bal) input signal 2x XLR (bal) parallel output  Digital: 1x XLR AES3 input 1x XLR AES3 output	Remote connectivity: 1x XLR RS485 serial input 1x XLR RS485 serial output 1x USB-B inlet  MAINS: 1x powerCON 1x powerCON link

Handling	
Dimensions (WxHxD)	860 x 370 x 210 mm (33.8 x 14.6 x 8.3 in) with rigging hardware 735 x 285 x 200 mm (28.9 x 11.2 x 7.9 in) net dimensions
Weight	29 kg / 63.93 lb (with rigging hardware)
IP rating	20 (53 with K-AMPCOVER accessory)



Notes for data:

1. With dedicated presets.
2. Maximum SPL is calculated using a signal with crest factor 4 (12dB) measured at 8 m then scaled at 1 m
3. EIAJ sine wave 8/32 burst

New materials and designs are introduced into existing products without previous notice.  
Present systems may differ in some respects from those presented in this catalog.

